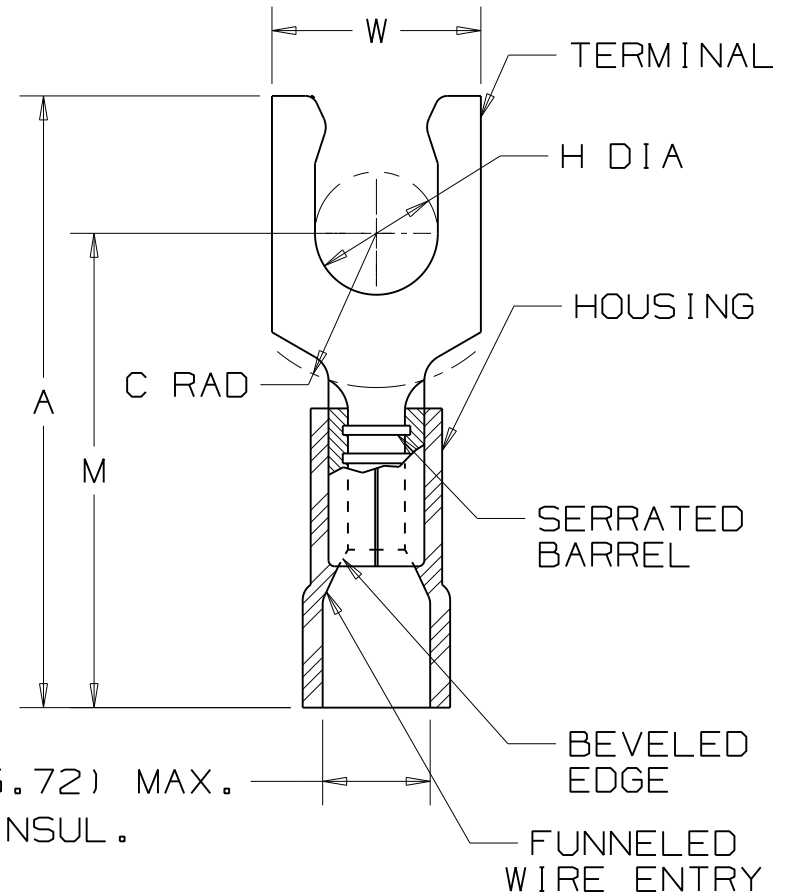


| PANDUIT PART NUMBER | STUD SIZE | DIMENSIONS in.  |                |               |                |               |
|---------------------|-----------|-----------------|----------------|---------------|----------------|---------------|
|                     |           | A $\pm .03$     | W $\pm .01$    | C $\pm .02$   | M $\pm .03$    | H $\pm .01$   |
| PV10-6LF            | #6        | 1.03<br>(26.16) | .30<br>(7.62)  | .23<br>(5.84) | .80<br>(20.32) | .14<br>(3.56) |
| PV10-8LF            | #8        | 1.05<br>(26.67) | .30<br>(7.62)  | .23<br>(5.84) | .80<br>(20.32) | .16<br>(4.06) |
| PV10-10LF           | #10       | 1.04<br>(26.42) | .34<br>(8.64)  | .23<br>(5.84) | .80<br>(20.32) | .19<br>(4.83) |
| PV10-14LF           | 1/4"      | 1.19<br>(30.23) | .46<br>(11.68) | .36<br>(9.14) | .90<br>(22.86) | .25<br>(6.35) |

NOTES:

- UL LISTED AND CSA CERTIFIED FOR:
  - 600V. MAX. VOLTAGE RATING (1000V. MAX. IN SIGNS, FIXTURES & LUMINARIES)
  - 221°F (105°C) MAX. TEMP. RATING
  - #12-10 STRANDED COPPER WIRE ONLY
- SEE [www.panduit.com](http://www.panduit.com) FOR PART NUMBER SUFFIX DESIGNATION FOR PACKAGE SIZE.
- MATERIAL:
  - STAMPING - .04 (1.02) THK. COPPER TIN PLATED
  - HOUSING - VINYL, YELLOW
- DIMENSIONS IN BRACKETS ARE IN mm.
- INSTALLATION TOOLS:
  - UL LISTED AND CSA CERTIFIED: CT-100A, CT-600-A, CT-1550, CT-1551, CT-2500
  - PANDUIT APPROVED: CT-550
- WIRE STRIP LENGTH: 5/16 <sup>+1/32</sup> <sub>-0</sub>



LISTED  
587H  
E52164



CERTIFIED  
LR31212

|     |      |      |   |       |        |
|-----|------|------|---|-------|--------|
|     |      |      | <b>PANDUIT</b> CORP. TINLEY PARK, ILLINOIS  |       |        |
|     |      |      | #12-10 BARREL, FUNNELED VINYL INSULATED LOCKING FORK, .225 (5.72) MAX. WIRE INSUL. DIAMETER |       |        |
| REV | DATE | BY   | DESCRIPTION   | CUST  | PM     |
| 10  | 8/11 | SHOR | ADDED INSTALLATION TOOLS, MODIFIED NOTE #2  |       |        |
|     |      |      | DRAWN BY  | CHK'D | SCALE  |
|     |      |      | DAW   | LA    | NONE   |
|     |      |      | DRAWING NO.   |       | A41226 |