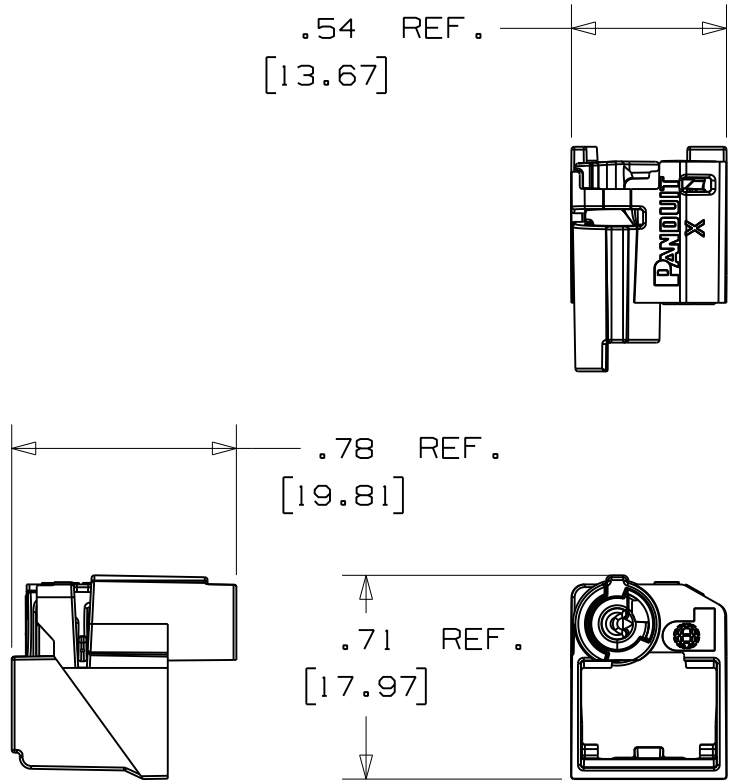
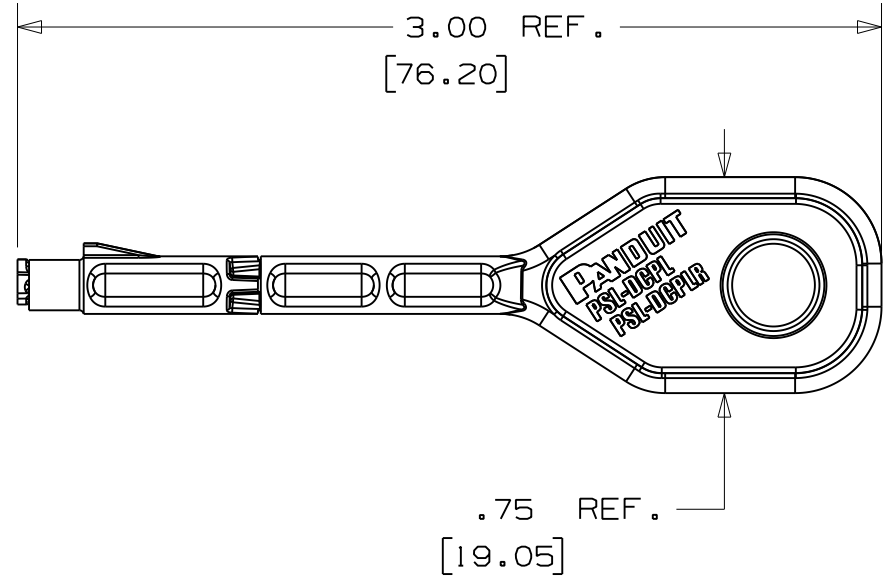


THIS COPY IS PROVIDED ON A RESTRICTED BASIS AND IS NOT TO BE USED IN ANY WAY DETRIMENTAL TO THE INTERESTS OF PANDUIT CORP.



PSL - DCPLRX



KEY

CAD FILENAME/LAYERS 100186AB\_DC\_C10842/05A

PANDUIT CORP. TINLEY PARK, ILLINOIS

PSL - DCPLRX - \*\*  
CUSTOMER DRAWING

UNLESS OTHERWISE SPECIFIED,  
DIMENSIONAL TOLERANCES ARE:  
(.X) ± .05 (.XXX) ± .01  
(.XX) ± .02 ANGLES ± 2°

UNLESS OTHERWISE SPECIFIED,  
ALL DIMENSIONS ARE GIVEN  
IN INCHES, THIRD ANGLE PROJECTION.

DRAWN BY  
MROB

MAT'L:

SCALE 1.5:1

DATE  
07/29/10

N/A

DRAWING NO.

DWG

0 07/29/10 MROB

DRAWING RELEASED

6097 R

C10842

A  
SIZE

REV DATE BY CHK

DESCRIPTION

ECN - R CUST SUP

CHK'D