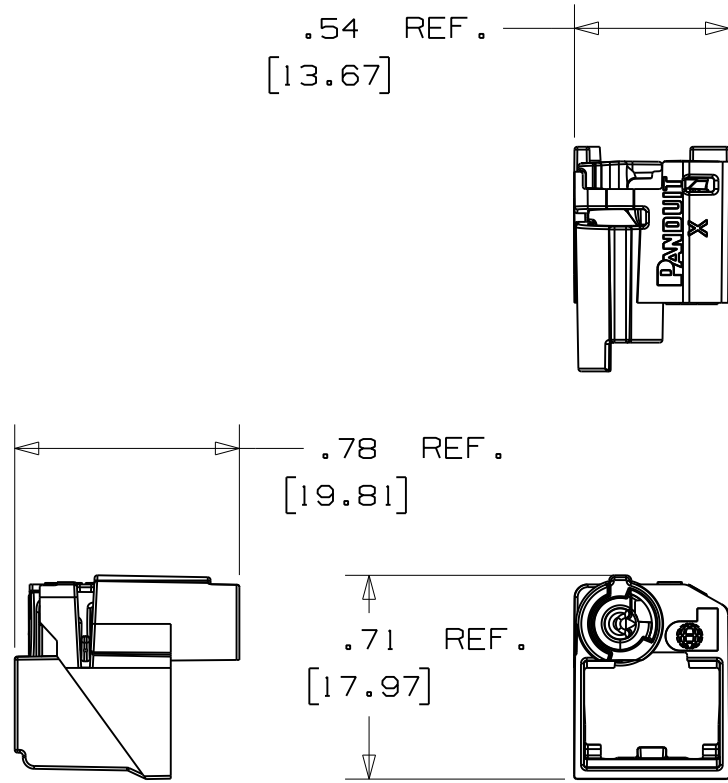
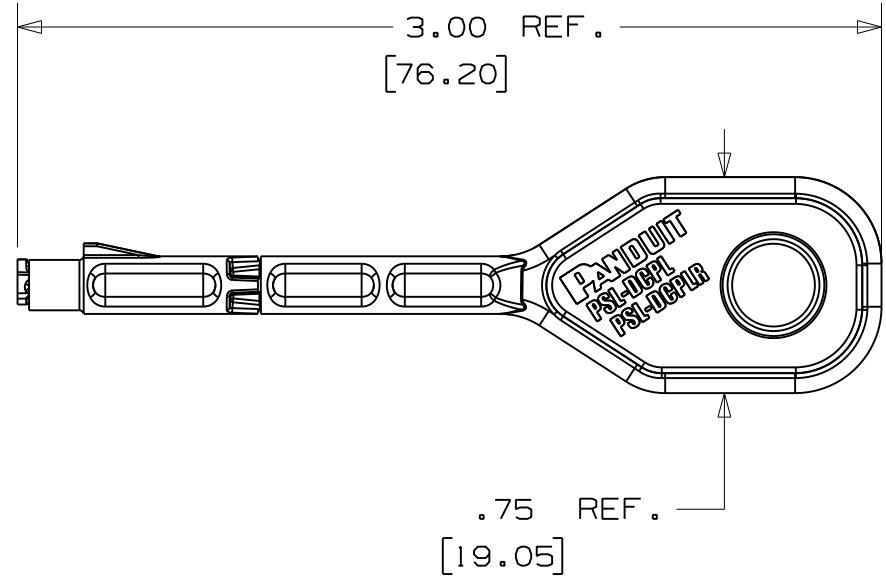


THIS COPY IS PROVIDED ON A RESTRICTED BASIS AND IS NOT TO BE USED IN ANY WAY DETRIMENTAL TO THE INTERESTS OF PANDUIT CORP.



PSL - DCPLRX



KEY

CAD FILENAME/LAYERS 100186AB_DC_C10842/05A

PANDUIT CORP. TINLEY PARK, ILLINOIS

PSL - DCPLRX - **
CUSTOMER DRAWING

UNLESS OTHERWISE SPECIFIED,
DIMENSIONAL TOLERANCES ARE:
(.X) ± .05 (.XXX) ± .01
(.XX) ± .02 ANGLES ± 2°

UNLESS OTHERWISE SPECIFIED,
ALL DIMENSIONS ARE GIVEN
IN INCHES, THIRD ANGLE PROJECTION.

DRAWN BY
MROB

MAT'L:

SCALE 1.5:1

DATE
07/29/10

N/A

DRAWING NO.

C10842

DWG
A
SIZE

0	07/29/10	MROB		DRAWING RELEASED	6097	R				
REV	DATE	BY	CHK	DESCRIPTION	ECN	R	CUST	SUP		