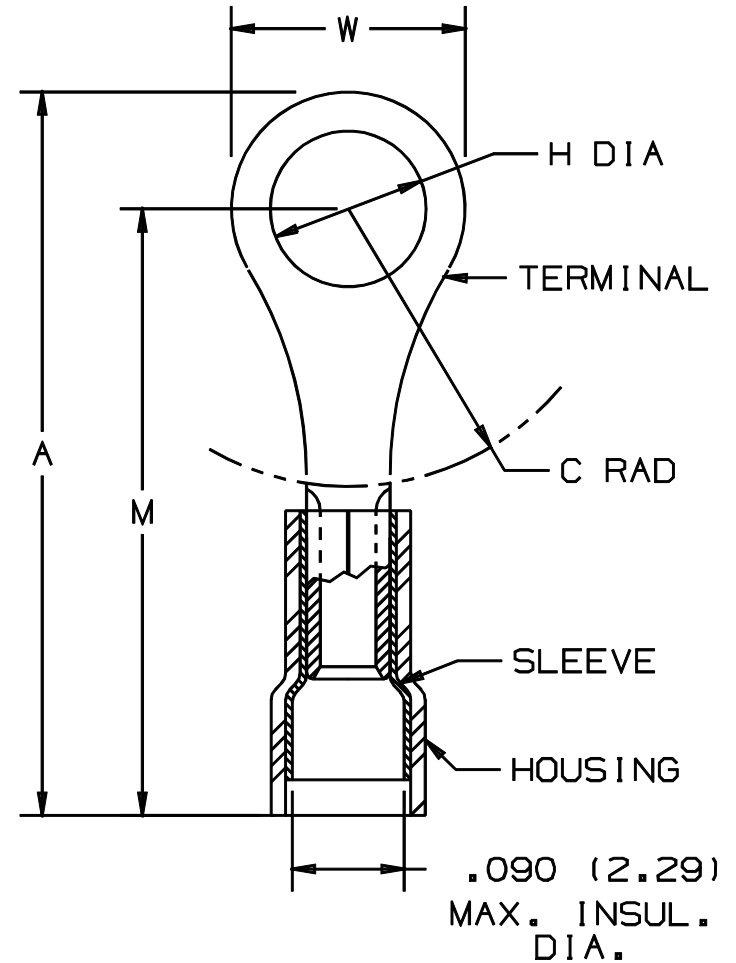


THIS COPY IS PROVIDED ON A RESTRICTED BASIS AND IS NOT TO BE USED IN ANY WAY DETRIMENTAL TO THE INTERESTS OF PANDUIT CORP.


PANDUIT PART NUMBER	STUD SIZE	DIMENSIONS in.				
		A $\pm .03$	W $\pm .01$	C $\pm .02$	M $\pm .03$	H $\pm .01$
PN22-2R	#2	.69 (17.53)	.20 (5.08)	.18 (4.57)	.59 (14.99)	.10 (2.54)
PN22-4R	#4	.69 (17.53)	.20 (5.08)	.18 (4.57)	.59 (14.99)	.13 (3.30)
PN22-6R	#6	.69 (17.53)	.20 (5.08)	.18 (4.57)	.59 (14.99)	.15 (3.81)
PN22-8R	#8	.78 (19.81)	.26 (6.60)	.26 (6.60)	.65 (16.51)	.17 (4.32)
PN22-10R	#10	.78 (19.81)	.31 (7.87)	.24 (6.10)	.62 (15.75)	.21 (5.33)

NOTES:

- RECOMMENDED FOR:
  - 300V. MAX. VOLTAGE RATING
  - #26-22 AWG SOLID OR STRANDED COPPER WIRE
  - 221° F (105° C) MAX. TEMP. RATING
- MATERIAL:
  - STAMPING - .020 (0.51) THK COPPER, TIN PLATED
  - HOUSING - NYLON, YELLOW
  - SLEEVE - BRASS, TIN PLATED
- PACKAGE QTY: STD. PKG. C= 100  
BULK PKG. M= 1000
- DIMENSIONS IN BRACKETS ARE IN MILLIMETERS
- INSTALLATION TOOLS: CT-520, CT-1525
- WIRE STRIP LENGTH: 3/16  $\pm 1/32$  (4.8  $\pm .8$ )



A41233\_06

06	1/01	KMD		CAD FILE SPEC. WAS N41233AA_PCD_05				 <b>PANDUIT</b> CORP. TINLEY PARK, ILLINOIS #26-22 BARREL NYLON INSULATED RING .090 (2.29) MAX. WIRE INSUL. DIA.
05	5/99	JKD		ADDED CT-1525 TOOL	07632			
04	10/94	TH	RLS	UPDATED NOTES AND DIMENSIONS	02580	LCA	TFKE	
03	7-88	DW		REDRAWN WITH REVISIONS				
REV	DATE	BY	CHK	DESCRIPTION	ECN #	CUST	PM	DRAWN BY <b>DAW</b> CHK'D <b>RLS</b> SCALE DRAWING NO. <b>A41233</b>