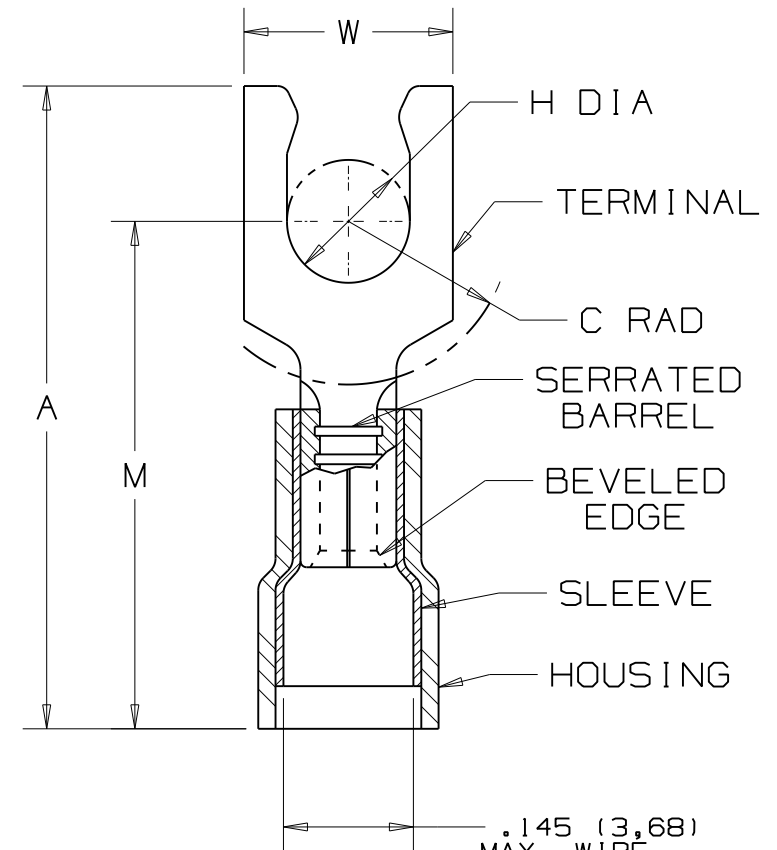


PANDUIT PART NUMBER	STUD SIZE	DIMENSIONS in.				
		A ±.03	W ±.01	C ±.02	M ±.03	H ±.01
PN18-6LF	#6	.82 (20,8)	.27 (6,9)	.22 (5,6)	.63 (16)	.14 (3,6)
PN18-6LFW	#6	.85 (21,5)	.29 (7,4)	.22 (5,6)	.64 (16,2)	.14 (3,6)
PN18-8LF	#8	.89 (22,7)	.29 (7,4)	.25 (6,4)	.68 (17,3)	.16 (4,1)
PN18-10LF	#10	.89 (22,5)	.33 (8,4)	.25 (6,4)	.68 (17,3)	.19 (4,8)
PN18-10LFN*	#10	.91 (23,2)	.29 (7,4)	.25 (6,4)	.73 (17,4)	.19 (4,8)

- UL LISTED AND CSA CERTIFIED FOR:
  - 600V. MAX. VOLTAGE RATING (1000V. IN SIGN FIXTURES AND LUMINAIRES)
  - #22-18 AWG SOLID OR STRANDED COPPER WIRE
  - TEMPERATURE RATING OF INSULATION: 105°C (221°F)
- MATERIAL:
  - STAMPING - .032 (.81) THK COPPER, TIN PLATED
  - HOUSING - RED NYLON
  - SLEEVE - BRASS, TIN PLATED
- SEE [www.panduit.com](http://www.panduit.com) FOR PART NUMBER SUFFIX DESIGNATION FOR PACKAGE SIZE.
- DIMENSIONS IN BRACKETS ARE IN MILLIMETERS
- INSTALLATION TOOLS:
  - UL LISTED AND CSA CERTIFIED: CT-100, CT-100A, CT-400 (UL ONLY), CT-600-A, CT-1550, CT-1551, CT-2500
  - PANDUIT APPROVED: CT-160, CT-260
- WIRE STRIP LENGTH :  $7/32'' \pm \frac{1}{32}''$  (5,6 ±.8)



LISTED CERTIFIED  
587H LR31212  
E52164

\* PN18-10LFN IS NOT  
UL LISTED OR CSA  
CERTIFIED.

				<b>PANDUIT</b> CORP. TINLEY PARK, ILLINOIS	
				#22-18 BARREL NYLON INSULATED LOCKING FORK, .145 (3,68) MAX. WIRE INSULATION DIAMETER	
08	8/11	SHOR	MODIFIED NOTE #3, ADDED INSTALLATION TOOLS	CUST	PM
REV	DATE	BY	DESCRIPTION	DRAWN BY	CHK'D
				DAW	CJH
			SCALE	DRAWING NO.	
			NONE	A41290	