

**NOTES. UNLESS OTHERWISE SPECIFIED:**

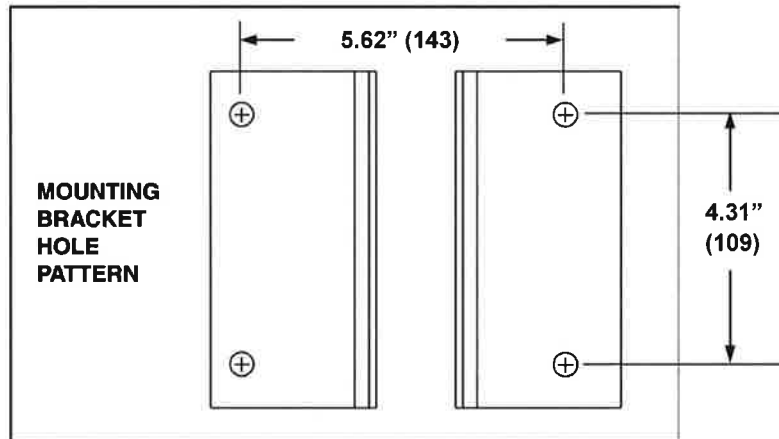
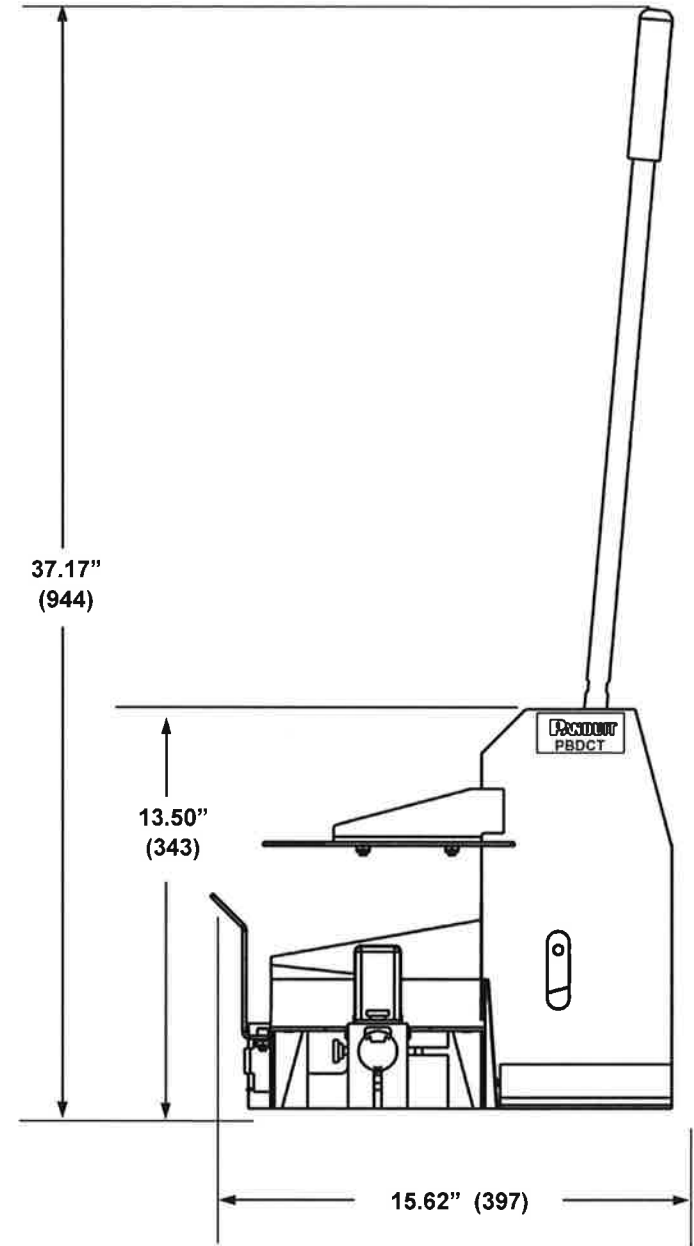
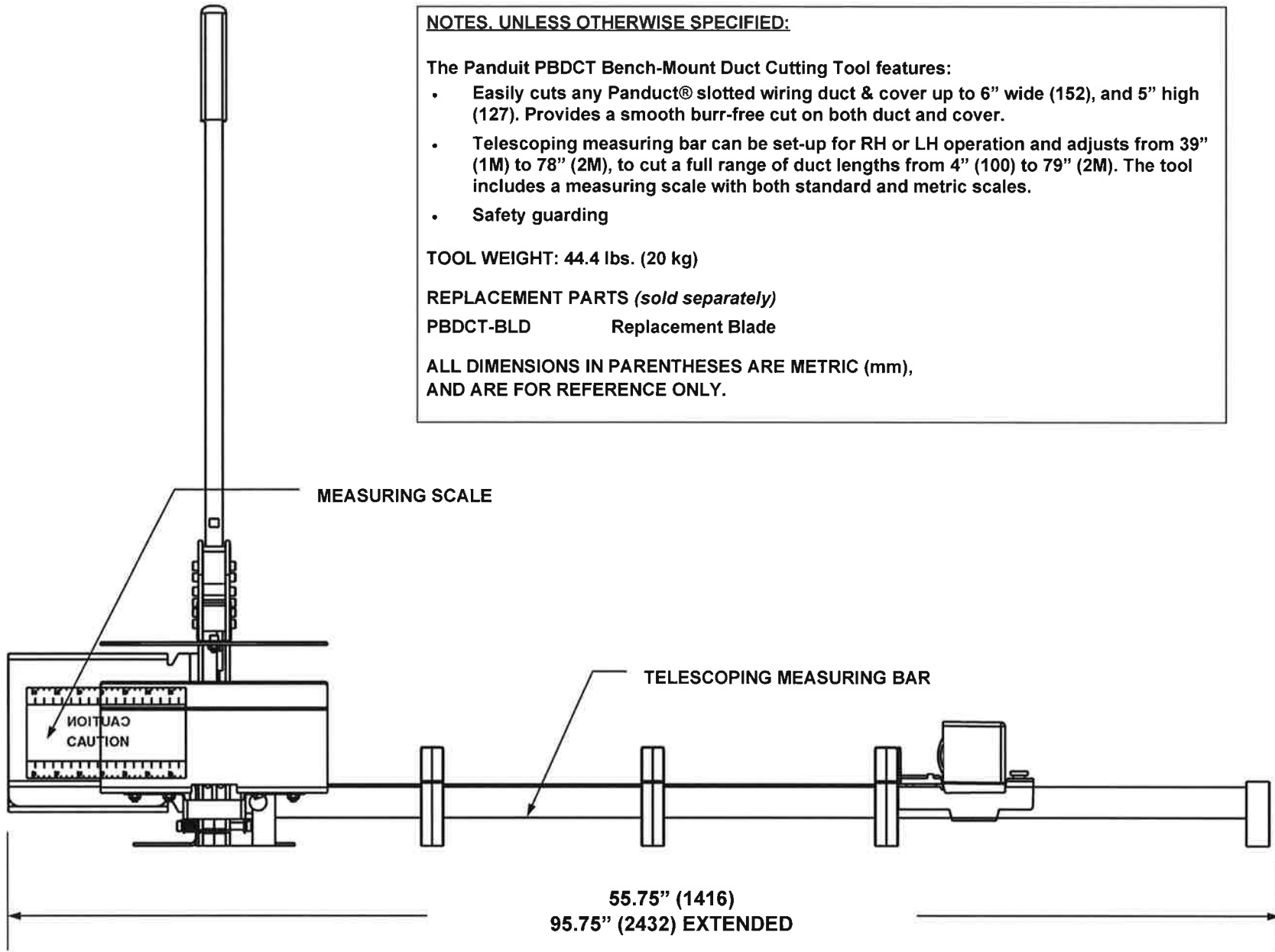
The Panduit PBDCT Bench-Mount Duct Cutting Tool features:

- Easily cuts any Panduct® slotted wiring duct & cover up to 6" wide (152), and 5" high (127). Provides a smooth burr-free cut on both duct and cover.
- Telescoping measuring bar can be set-up for RH or LH operation and adjusts from 39" (1M) to 78" (2M), to cut a full range of duct lengths from 4" (100) to 79" (2M). The tool includes a measuring scale with both standard and metric scales.
- Safety guarding

TOOL WEIGHT: 44.4 lbs. (20 kg)

REPLACEMENT PARTS *(sold separately)*  
 PBDCT-BLD Replacement Blade

ALL DIMENSIONS IN PARENTHESES ARE METRIC (mm), AND ARE FOR REFERENCE ONLY.



F:\wrkgpr\rvusers\ENGR DOCS\CUSTOMER DRAWINGS\WD25752C01\_01.doc

										<b>PANDUIT</b> CORP. TINLEY PARK, ILLINOIS			
										<b>CUSTOMER DRAWING</b>			
										<b>PBDCT</b>			
										UNLESS OTHERWISE SPECIFIED, DIMENSIONAL TOLERANCES ARE: (.x) ± — (.xxx) ± — (.xx) ± — ANGLES ± —		UNLESS OTHERWISE SPECIFIED, ALL DIMENSIONS ARE GIVEN IN INCHES, THIRD ANGLE PROJECTION.	
										DRAWN BY: BLR		SCALE: NONE	
										DATE: 6-25-08		DRAWING NO. WD25752C01	
										CHK'D: WAB		DWG SIZE: C	
01	6-17-14	BLR	WAB	UPD BRANDING	4756	---	---	---	---	---	---	---	
00	6-25-08	BLR	WAB	RELEASED	4292	---	---	---	---	---	---	---	
REV	DATE	BY	CHK'D	DESCRIPTION	ECN	-R	CUST	SUP					