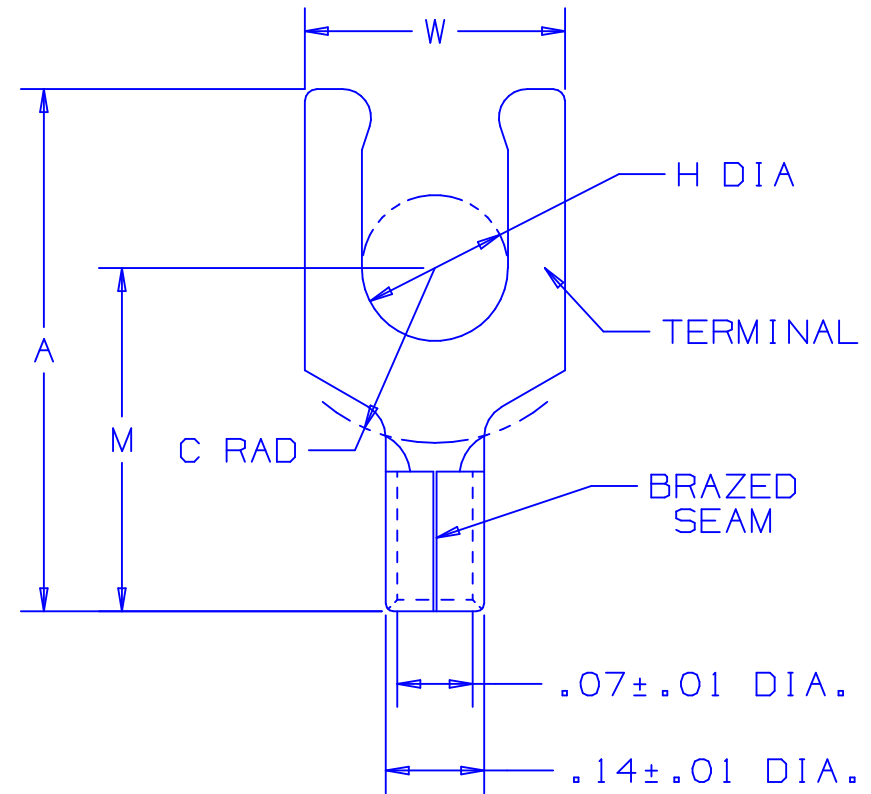


PANDUIT PART NUMBER	STUD SIZE	DIMENSIONS in.				
		A $\pm .020$	W $\pm .010$	C $\pm .020$	M $\pm .020$	H $\pm .010$
P18-6LF	#6	.68 (17,3)	.27 (6,9)	.22 (5,6)	.48 (12,2)	.15 (3,8)
P18-6LFW	#6	.70 (17,8)	.29 (7,4)	.22 (5,6)	.48 (12,2)	.15 (3,8)
P18-8LF	#8	.74 (18,8)	.29 (7,4)	.23 (5,8)	.53 (13,5)	.16 (4,1)
P18-10LF	#10	.74 (18,8)	.33 (8,4)	.23 (5,8)	.53 (13,5)	.19 (4,8)
P18-10LFN **	#10	.74 (18,8)	.28 (7,1)	.23 (5,8)	.53 (13,5)	.19 (4,8)



NOTES :

- UL LISTED AND CSA CERTIFIED FOR:
A. #22-16 AWG SOLID OR STRANDED, COPPER WIRE
- 302° F (150° C) MAX. USE TEMP.
- PACKAGE QTY.: STD C=100
BULK M=1000
- MATERIAL:
A. STAMPING - .032 (,81) THK COPPER, TIN PLATED
- WIRE STRIP LENGTH $9/32 + \frac{1}{32} (7,1 + \frac{8}{-0})$
- DIMENSIONS IN BRACKETS ARE IN MILLIMETERS
- INSTALLATION TOOLS:
A. UL AND CSA APPROVED: CT-100, CT-200, CT-1570 *
B. PANDUIT APPROVED: CT-160, CT-260

* APPROVED FOR EXPANDED WIRE RANGE #22-16 AWG

** P18-10LFN IS NOT UL LISTED OR CSA CERTIFIED



LISTED
587H
E52164



CERTIFIED
LR31212

A41059_07

07	2/01	EJS		FILE SPEC WAS N41059AA_PCD_06, REMOVED CT-570 FROM NOTE 7				<p>PANDUIT CORP. TINLEY PARK, ILLINOIS</p> <p>#22-18 BARREL NON-INSULATED LOCKING FORK</p>
06	1/96	ED	RLS	REV'S TO NOTES & DIM'S, ORIG FILE SPEC WAS NPC-A41059-05	03801	LA	DBH	
05	3/91	DL		TANG WIDTH INCREASED PART NO P18-6LF				
--	--	--	--	REDRAWN ON CAD WITH REVISIONS		--	--	
REV	DATE	BY	CHK	DESCRIPTION	ECN	CUST	PM	DRAWN BY DRL CHK'D LA SCALE NONE DRAWING NO. A41059