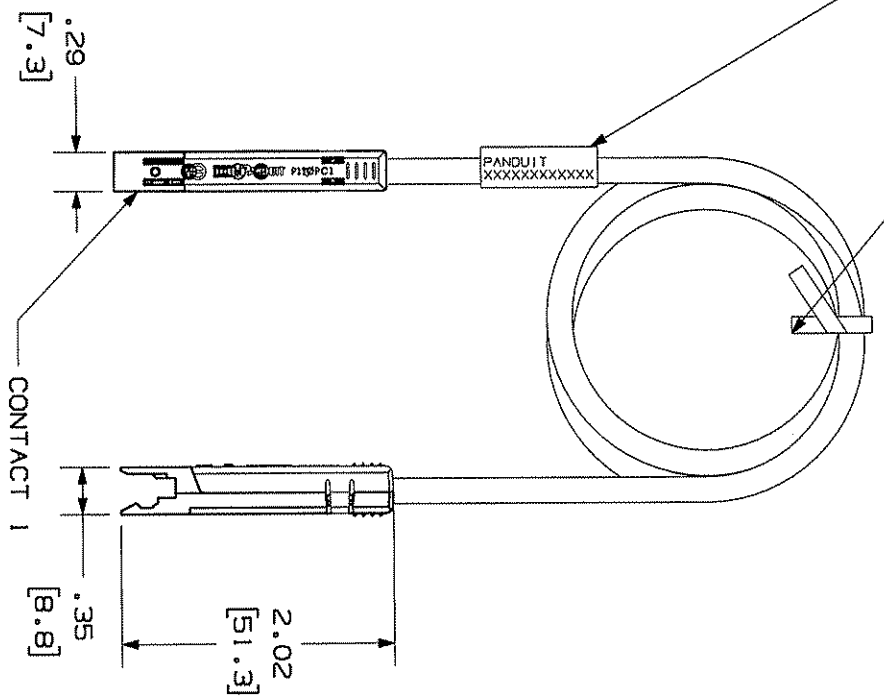


THIS COPY IS PROVIDED ON A RESTRICTED BASIS AND IS NOT TO BE USED IN ANY WAY DETRIMENTAL TO THE INTERESTS OF PANDUIT CORP.

CONTACT	CABLE WIRE COLOR
1	WHITE/BLUE
2	BLUE



- NOTES:
1. SEE CURRENT CATALOG FOR VARIOUS APPLICATIONS AND TO INDICATE PACKAGE QUANTITY. THE PATCH CORDS CAN BE USED WITH PAN-PATCH CONNECTING BLOCKS.
 2. USED WITH PAN-PATCH CONNECTING BLOCKS. PROPER WIRE SEQUENCE AND CONNECTIONS ARE REQUIRED TO SECURE THE JACKET AND CONNECTOR. A CLEAN CABLE TERMINATION WHICH MINIMIZES WIRE STRESS IS THE INTERGRAL STRAIN RELIEF MINIMIZES STRESS ON WIRES DURING DISCONNECTION.
 3. POLARIZED TO PREVENT REVERSE INSTALLATION TO CONNECTOR BLOCK.
 4. CATEGORY 3 UNSHIELDED TWISTED PAIR CABLE WITH 24AWG STRANDED TINNED COPPER CONDUCTOR.
 5. DIMENSIONS IN PARENTHESES ARE IN METRIC.

PANDUIT P/N	MIN. CABLE LENGTH	WEIGHT
P110PC1162Y	2 FT.	.24 LB/10 PCS (112.1 g/10 PCS)
P110PC1163Y	3 FT.	.31 LB/10 PCS (144.5 g/10 PCS)
P110PC1164Y	4 FT.	.38 LB/10 PCS (176.9 g/10 PCS)
P110PC1165Y	5 FT.	.45 LB/10 PCS (209.3 g/10 PCS)
P110PC1166Y	6 FT.	.52 LB/10 PCS (241.7 g/10 PCS)
P110PC1167Y	7 FT.	.59 LB/10 PCS (274.1 g/10 PCS)
P110PC1168Y	8 FT.	.66 LB/10 PCS (306.5 g/10 PCS)
P110PC1169Y	9 FT.	.73 LB/10 PCS (338.9 g/10 PCS)
P110PC11612Y	12 FT.	.93 LB/10 PCS (430.1 g/10 PCS)
P110PC11615Y	15 FT.	1.15 LB/10 PCS (533.3 g/10 PCS)
P110PC11618Y	18 FT.	1.38 LB/10 PCS (630.5 g/10 PCS)
P110PC11619Y	19 FT.	1.48 LB/10 PCS (685.1 g/10 PCS)
P110PC11616.SMY	.5M	.22 LB/10 PCS (100.45g/10 PCS)
P110PC11617Y	1M	.33 LB/10 PCS (153.6 g/10 PCS)
P110PC1161.SMY	1.5M	.45 LB/10 PCS (206.8 g/10 PCS)
P110PC1162.SMY	2M	.56 LB/10 PCS (259.9 g/10 PCS)
P110PC1163.SMY	3M	.79 LB/10 PCS (386.2 g/10 PCS)
P110PC1164.SMY	4M	1.02 LB/10 PCS (472.5 g/10 PCS)
P110PC1165.SMY	5M	1.25 LB/10 PCS (578.8 g/10 PCS)
P110PC1166.SMY	6M	1.48 LB/10 PCS (685.1 g/10 PCS)

DRAWING FILENAME: M02479J0_DC253_00A_PRT
 TITLE: CATEGORY 3 110 PATCHCORD CUSTOMER DRAWING
 SIZE: A



PANDUIT
 CORP.
 TINLEY PARK, IL 60477

ALL DIMENSIONS ARE GIVEN IN INCHES, UNLESS OTHERWISE SPECIFIED.
 DIMENSIONAL TOLERANCES ARE:
 1.X1 ± .031(.8)
 1.XXX1 ± .010(.3)
 ANGLES ±

REVIEW DRAWING NUMBERS
 PART NO. P110PC1***Y

REV	DATE	BY	CHK	DESCRIPTION	ECN	R	CUST	SUP	OTH
R	3-17-06	NER	NER	RELEASED TO PRODUCTION.	02479-253				

DATE	DATE	DATE
3-17-06	3-17-06	3-17-06