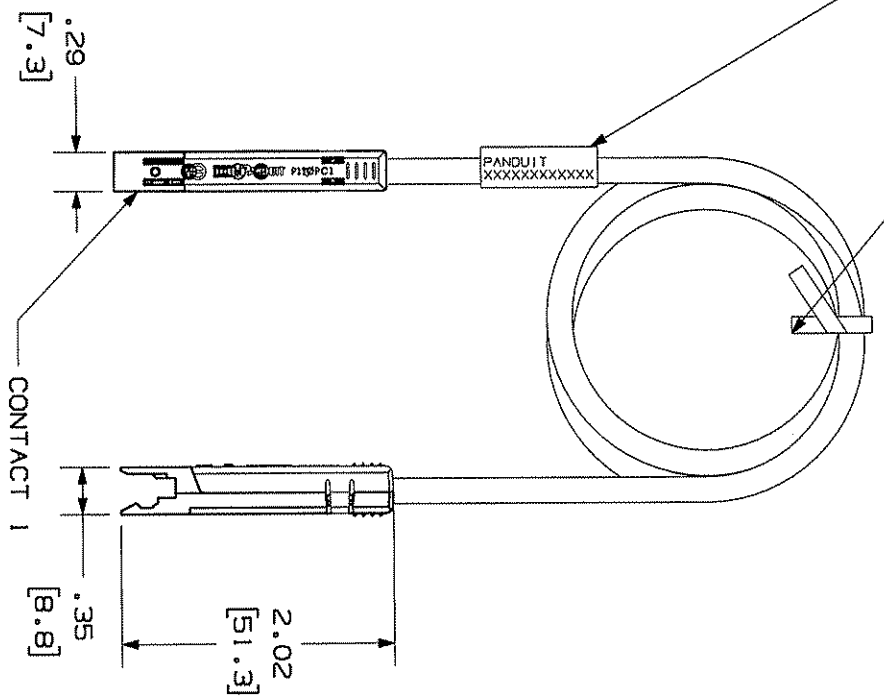


THIS COPY IS PROVIDED ON A RESTRICTED BASIS AND IS NOT TO BE USED IN ANY WAY DETRIMENTAL TO THE INTERESTS OF PANDUIT CORP.

CONTACT	CABLE WIRE COLOR
1	WHITE/BLUE
2	BLUE



- NOTES:
1. SEE CURRENT CATALOG FOR VARIOUS APPLICATIONS AND TO INDICATE PACKAGE QUANTITY. THE PATCH CORDS CAN BE USED WITH PAN-PATCH CONNECTING BLOCKS.
  2. USED WITH PAN-PATCH CONNECTING BLOCKS. PROPER WIRE SEQUENCE AND CONNECTIONS ARE REQUIRED TO SECURE THE JACKET AND CONNECTOR. THE POSITION OF TERMINATION WHICH MINIMIZES WIRE STRESS IS THE INTERGRAL STRAIN RELIEF MINIMIZES STRESS ON WIRES DURING DISCONNECTION.
  3. POLARIZED TO PREVENT REVERSE INSTALLATION TO CONNECTOR BLOCK.
  4. CATEGORY 3 UNSHIELDED TWISTED PAIR CABLE WITH 24AWG STRANDED TINNED COPPER CONDUCTOR.
  5. DIMENSIONS IN PARENTHESES ARE IN METRIC.

PANDUIT P/N	MIN. CABLE LENGTH	WEIGHT
P110PC1162Y	2 FT.	.24 LB/10 PCS (112.1 g/10 PCS)
P110PC1163Y	3 FT.	.31 LB/10 PCS (144.5 g/10 PCS)
P110PC1164Y	4 FT.	.38 LB/10 PCS (176.9 g/10 PCS)
P110PC1165Y	5 FT.	.45 LB/10 PCS (209.3 g/10 PCS)
P110PC1166Y	6 FT.	.52 LB/10 PCS (241.7 g/10 PCS)
P110PC1167Y	7 FT.	.59 LB/10 PCS (274.1 g/10 PCS)
P110PC1168Y	8 FT.	.66 LB/10 PCS (306.5 g/10 PCS)
P110PC1169Y	9 FT.	.73 LB/10 PCS (338.9 g/10 PCS)
P110PC11612Y	12 FT.	.93 LB/10 PCS (430.1 g/10 PCS)
P110PC11615Y	15 FT.	1.15 LB/10 PCS (533.3 g/10 PCS)
P110PC11618Y	18 FT.	1.38 LB/10 PCS (630.5 g/10 PCS)
P110PC11619Y	19 FT.	1.48 LB/10 PCS (685.1 g/10 PCS)
P110PC11616Y	18 FT.	.5M
P110PC11617Y	19 FT.	.5M
P110PC11618Y	20 FT.	.5M
P110PC11619Y	21 FT.	.5M
P110PC11620Y	22 FT.	.5M
P110PC11621Y	23 FT.	.5M
P110PC11622Y	24 FT.	.5M
P110PC11623Y	25 FT.	.5M
P110PC11624Y	26 FT.	.5M
P110PC11625Y	27 FT.	.5M
P110PC11626Y	28 FT.	.5M
P110PC11627Y	29 FT.	.5M
P110PC11628Y	30 FT.	.5M
P110PC11629Y	31 FT.	.5M
P110PC11630Y	32 FT.	.5M
P110PC11631Y	33 FT.	.5M
P110PC11632Y	34 FT.	.5M
P110PC11633Y	35 FT.	.5M
P110PC11634Y	36 FT.	.5M
P110PC11635Y	37 FT.	.5M
P110PC11636Y	38 FT.	.5M
P110PC11637Y	39 FT.	.5M
P110PC11638Y	40 FT.	.5M
P110PC11639Y	41 FT.	.5M
P110PC11640Y	42 FT.	.5M
P110PC11641Y	43 FT.	.5M
P110PC11642Y	44 FT.	.5M
P110PC11643Y	45 FT.	.5M
P110PC11644Y	46 FT.	.5M
P110PC11645Y	47 FT.	.5M
P110PC11646Y	48 FT.	.5M
P110PC11647Y	49 FT.	.5M
P110PC11648Y	50 FT.	.5M
P110PC11649Y	51 FT.	.5M
P110PC11650Y	52 FT.	.5M
P110PC11651Y	53 FT.	.5M
P110PC11652Y	54 FT.	.5M
P110PC11653Y	55 FT.	.5M
P110PC11654Y	56 FT.	.5M
P110PC11655Y	57 FT.	.5M
P110PC11656Y	58 FT.	.5M
P110PC11657Y	59 FT.	.5M
P110PC11658Y	60 FT.	.5M
P110PC11659Y	61 FT.	.5M
P110PC11660Y	62 FT.	.5M
P110PC11661Y	63 FT.	.5M
P110PC11662Y	64 FT.	.5M
P110PC11663Y	65 FT.	.5M
P110PC11664Y	66 FT.	.5M
P110PC11665Y	67 FT.	.5M
P110PC11666Y	68 FT.	.5M
P110PC11667Y	69 FT.	.5M
P110PC11668Y	70 FT.	.5M
P110PC11669Y	71 FT.	.5M
P110PC11670Y	72 FT.	.5M
P110PC11671Y	73 FT.	.5M
P110PC11672Y	74 FT.	.5M
P110PC11673Y	75 FT.	.5M
P110PC11674Y	76 FT.	.5M
P110PC11675Y	77 FT.	.5M
P110PC11676Y	78 FT.	.5M
P110PC11677Y	79 FT.	.5M
P110PC11678Y	80 FT.	.5M
P110PC11679Y	81 FT.	.5M
P110PC11680Y	82 FT.	.5M
P110PC11681Y	83 FT.	.5M
P110PC11682Y	84 FT.	.5M
P110PC11683Y	85 FT.	.5M
P110PC11684Y	86 FT.	.5M
P110PC11685Y	87 FT.	.5M
P110PC11686Y	88 FT.	.5M
P110PC11687Y	89 FT.	.5M
P110PC11688Y	90 FT.	.5M
P110PC11689Y	91 FT.	.5M
P110PC11690Y	92 FT.	.5M
P110PC11691Y	93 FT.	.5M
P110PC11692Y	94 FT.	.5M
P110PC11693Y	95 FT.	.5M
P110PC11694Y	96 FT.	.5M
P110PC11695Y	97 FT.	.5M
P110PC11696Y	98 FT.	.5M
P110PC11697Y	99 FT.	.5M
P110PC11698Y	100 FT.	.5M

DRAWING FILENAME: M02479J0\_DC253\_00A\_PRT  
 TITLE: CATEGORY 3 110 PATCHCORD CUSTOMER DRAWING  
 SIZE: A

**PANDUIT** R  
 CORP.  
 ALL DIMENSIONS ARE GIVEN IN INCHES.  
 DIMENSIONS IN PARENTHESES ARE IN METRIC.  
 DIMENSIONAL TOLERANCES ARE:  
 1. .XX1 ± .031(.8) (XXX) ± .010(.3)  
 2. .XX2 ± .010(.3) ANGLES ±

1:1 NUMBER  
 PRODUCT SPEC  
 WORK INSTRUCTION  
 SCALE: NONE  
 PART NO.: P110PC1\*\*\*Y  
 DRAWING NO.: 02479-253

REV	DATE	BY	CHK	DESCRIPTION	ECN	R	CUST	SUP	OTH
R	3-17-06	NER	NER	RELEASED TO PRODUCTION.	02479-253				

DATE: 3-17-06  
 DRAWN BY: NER  
 CHECKED BY: NER  
 REVIEW DRAWING NUMBERS