

PANDUIT PART NUMBER	STUD SIZE	DIMENSIONS in.				
		A ±.03	W ±.01	C ±.02	M ±.03	H ±.01
P10-6F	#6	.75 (19.05)	.31 (7.87)	.22 (5.59)	.55 (13.97)	.15 (3.81)
P10-8F	#8	.78 (19.81)	.37 (9.40)	.22 (5.59)	.55 (13.97)	.17 (4.32)
P10-10F	#10	.78 (19.81)	.37 (9.40)	.23 (5.84)	.55 (13.97)	.20 (5.08)
P10-14F	1/4"	.89 (22.61)	.50 (12.7)	.30 (7.62)	.60 (15.24)	.27 (6.86)

NOTES:

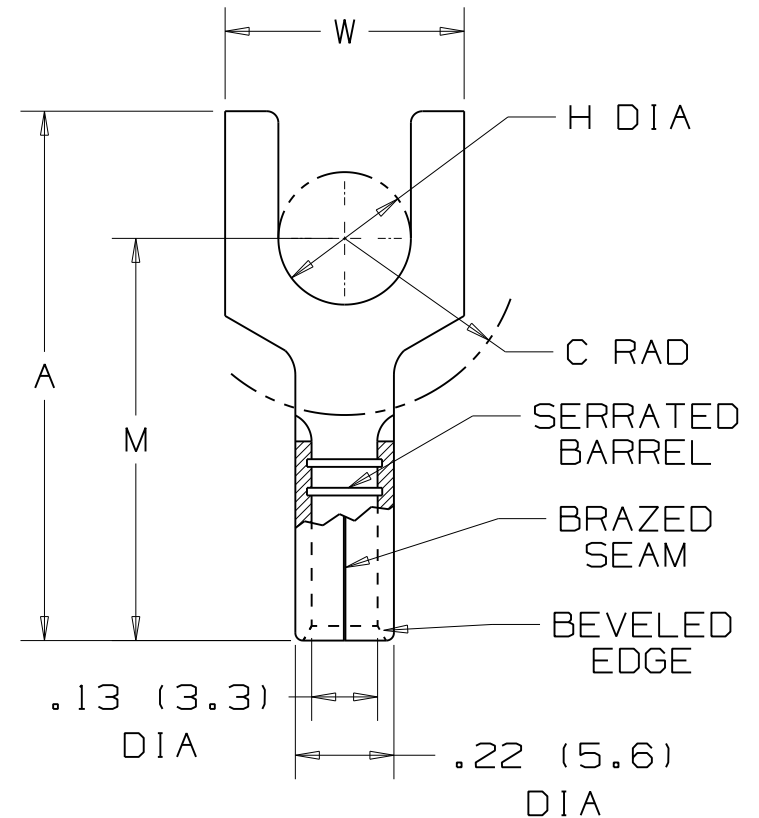
- UL LISTED AND CSA CERTIFIED FOR:
 - #12-10 AWG SOLID OR STRANDED COPPER WIRE
 - 302° F (150° C) MAX. TEMP. RATING
- MATERIAL:
 - STAMPING - .04" (1.02) THK COPPER, TIN PLATED
- SEE www.panduit.com FOR PART NUMBER SUFFIX DESIGNATION FOR PACKAGE SIZE.
- DIMENSIONS IN BRACKETS ARE IN MILLIMETERS
- INSTALLATION TOOLS:
 - UL LISTED AND CSA CERTIFIED: CT-100, CT-100A, CT-200, CT-570, CT-600-A, CT-1570, CT-1701, CT-2500
 - PANDUIT APPROVED: CT-160, CT-260
- WIRE STRIP LENGTH: $9/32^{+1/32}_{-0}$ (7.1 $^{+.8}_{-0}$)



LISTED
587H
E52164



CERTIFIED
LR31212



REV	DATE	BY	DESCRIPTION	CUST	PM
07	8/11	SHOR	MODIFIED NOTE #3, ADDED INSTALLATION TOOLS		

PANDUIT CORP.

TINLEY PARK, ILLINOIS

#12-10 BARREL NON-INSULATED FORK

DRAWN BY: DAW CHK'D: CJH SCALE: DRAWING NO.: A41256