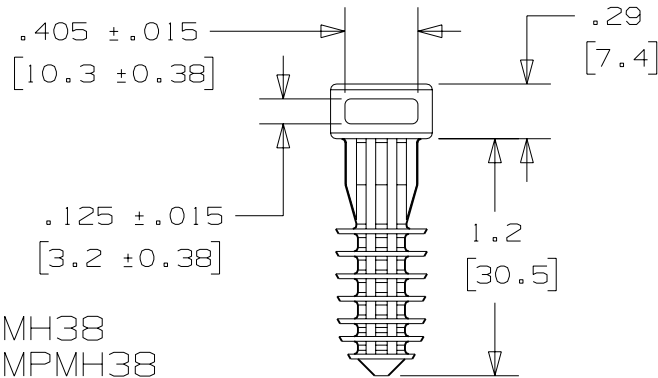
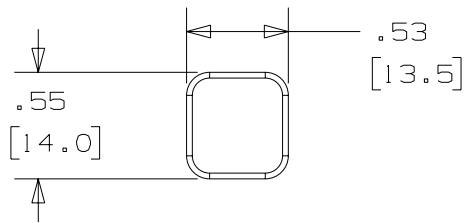
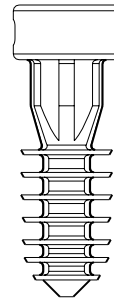


THIS COPY IS PROVIDED ON A RESTRICTED BASIS AND IS NOT TO BE USED IN ANY WAY DETRIMENTAL TO THE INTERESTS OF PANDUIT CORP.

PANDUIT PART NO. *	USE WITH CABLE TIE	HOLE SIZE inch / (mm)	WEIGHT lbs / 100 (g) / pcs
MPMS19-	M, I, S, SG100M, SG1501, SG200S, SG250S, SG300S,	0.187 dia x 1.25 deep (5.0 dia x 31.8 deep)	0.18 (83)
SGMPMS19-	SG370S		
MPMH38-	M, I, S, LH, H SG100M, SG1501, SG200S, SG250S, SG300S, SG370S,	0.375 dia x 1.50 deep (10.0 dia x 38.1 deep)	0.464 (210.6)
SGMPMH38-	SG350LH, SG450H		



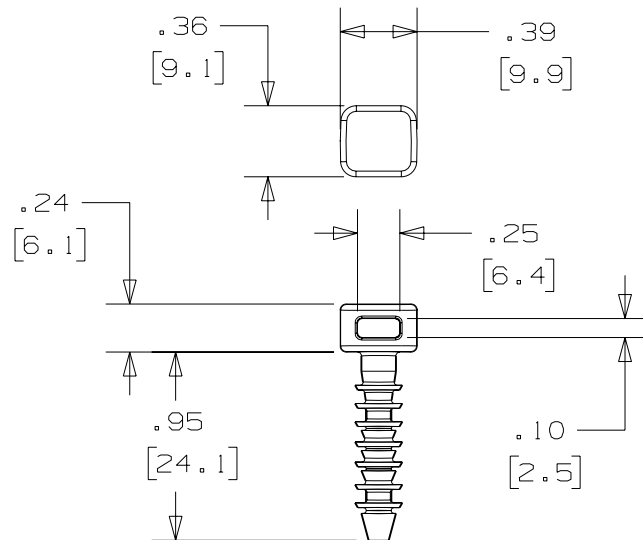
MPMH38
SGMPMH38




NOTES:

- SEE CURRENT PRICE SHEET FOR PART NUMBER SUFFIX DESIGNATION FOR PACKAGE SIZE.
- MATERIAL: WEATHER RESISTANT NYLON 6/6
COLOR: BLACK

MPMS19
SGMPMS19



DIMENSIONS IN BRACKETS ARE METRIC [mm]			
CAD FILENAME/LAYERS G002391G_PB_MPM_01			
 TINLEY PARK, ILLINOIS			
MASONRY PUSH MOUNT (MPMS19-, SGMPMS19-, MPMH38-, SGMPMH38-)			
UNLESS OTHERWISE SPECIFIED, DIMENSIONAL TOLERANCES ARE: (.X) ±0.05 (1.3) (.XXX) ±0.010 (0.25) (.XX) ±0.02 (0.5) ANGLES ± 5°		UNLESS OTHERWISE SPECIFIED, ALL DIMENSIONS ARE GIVEN IN INCHES, THIRD ANGLE PROJECTION.	
DRAWN BY JAD	MAT'L:	SCALE NONE	
DATE 9/24/03	SEE NOTE 2		DRAWING NO. GB02391G
CHK'D			DWG A SIZE

1	6-20-06	TMSA		ADDED PART NUMBER SGMPMH38 & SGMPMS19 REVISED DIMENSIONS FOR SGMPMS19, SGMPMH38	GB02391G	1					
REV	DATE	BY	CHK	DESCRIPTION	ECN	R	CUST	SUP			