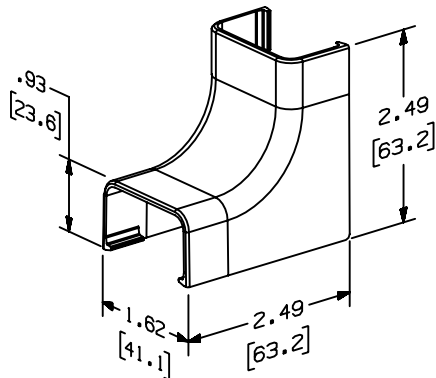


THIS COPY IS PROVIDED ON A RESTRICTED BASIS AND IS NOT TO BE USED IN ANY WAY DETRIMENTAL TO THE INTERESTS OF PANDUIT CORP.

PANDUIT PART NO.	WEIGHT
ICFC10	3.7 LB/100 PCS (1660 g/100 PCS)



NOTES:

- SEE CURRENT CATALOG FOR ADDITIONAL PART NUMBER SUFFIXES TO INDICATE COLOR AND OR PACKAGE QUANTITY.
- THIS PRODUCT IS INTENDED TO BE USED WITH PANDUIT TYPE LD10 RACEWAY.
- NOMINAL WALL THICKNESSES: .070 [1.8].
- THIS PRODUCT IS FEATURED WITH THE TIA/EIA COMPLIANT BEND RADIUS.
- DIMENSIONS IN PARENTHESIS ARE IN METRIC.



CAD FILENAME/LAYERS D35013BC\_LD\_ICFC10\_02.PRT

PANDUIT CORP. TINLEY PARK, ILLINOIS

INSIDE CORNER FITTING COVER  
(ICFC10)  
CUSTOMER DRAWING

UNLESS OTHERWISE SPECIFIED,  
DIMENSIONAL TOLERANCES ARE:  
(.X) ± (.XXX) ±.015 (.4)  
(.XX) ±.03 (.8) ANGLES ±

UNLESS OTHERWISE SPECIFIED,  
ALL DIMENSIONS ARE GIVEN  
IN INCHES, THIRD ANGLE PROJECTION.

REV	DATE	BY	CHK	DESCRIPTION	ECN	CHK	CUST	SUP
2	03-11-04	JHEP	RMHI	B. REMOVED CD10 FROM NOTE 2	35013-03	RGRO	RGRO	
1	07-02-02	JHNU	RMHI	A. REVISED MATERIAL IN DRAWING TITLE BLOCK	35013-03	RGRO	RGRO	
R	02-10-95	DW	CEF	RELEASED TO PRODUCTION	35013-03	CEF	CEF	

DRAWN BY  
DW

MAT'L:

ABS

SCALE  
NONE

DATE  
02-10-95

DRAWING NO.  
35013-03

CHECKED BY  
CEF



DWG  
A  
SIZE