

THIS COPY IS PROVIDED ON A RESTRICTED BASIS AND IS NOT TO BE USED IN ANY WAY DETRIMENTAL TO THE INTERESTS OF PANDUIT CORP.

HSTTN 12 - C Y

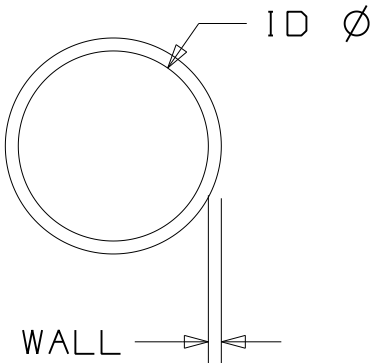
PANDUIT NUMBERING SYSTEM

ⓑ RoHS COMPLIANT

REEL QUANTITY: Q = 25' (7.60m)
C = 100' (30.5m)

EXPANDED I.D. TUBING SIZE.

CHLORINATED POLYOLEFIN Ⓒ
THIN WALL HEAT SHRINK TUBING.



PANDUIT PART NUMBER	Min. EXPANDED ID	Max. RECOVERED ID	NOMINAL REC. WALL THICKNESS In. (mm)
HSTTN25-CY	.250 (6.4)	.143 (3.6)	0.035±0.010 (0.9± 0.3)
HSTTN38-CY	.375 (9.5)	.211 (5.4)	0.040±0.010 (1.0± 0.3)
HSTTN50-CY	.500 (12.7)	.286 (7.3)	0.048±0.015 (1.2± 0.4)
HSTTN63-CY	.625 (15.9)	.357 (9.1)	0.052±0.015 (1.3± 0.4)
HSTTN75-CY	.750 (19.1)	.428 (10.9)	0.057±0.015 (1.5± 0.4)
HSTTN88-CY	.875 (22.2)	.500 (12.7)	0.065±0.020 (1.7± 0.5)
HSTTN100-CY	1.00 (25.4)	.570 (14.5)	0.070±0.020 (1.8± 0.5)
HSTTN125-CY	1.25 (31.8)	.714 (18.1)	0.087±0.020 (2.2± 0.5)
HSTTN150-CY	1.50 (38.1)	.857 (21.8)	0.095±0.020 (2.4± 0.5)
HSTTN175-CY	1.75 (44.5)	1.00 (25.4)	0.107±0.020 (2.7± 0.5)
HSTTN200-QY	2.00 (50.8)	1.14 (29.0)	0.110±0.020 (2.8± 0.5)
HSTTN300-QY	3.00 (76.2)	1.71 (43.4)	0.125±0.020 (3.8± 0.5)

NOTES:

- MATERIAL: CHLORINATED POLYOLEFIN Ⓒ
HSTTN300-QY IS ELASTOMER NEOPRENE.
- COLOR: BLACK
- SHRINK RATIO: 2:1
- SHRINK RATIOS ARE APPROXIMATIONS; PLEASE REFER TO DIMENSIONAL TABLE FOR THE EXACT MINIMUM EXPANDED AND MAXIMUM RECOVERED I.D.'S
- "ALL WARRANTIES, INCLUDING MERCHANTABILITY AND FITNESS FOR A PARTICULAR PURPOSE, ARE EXCLUDED. (USER IS RESPONSIBLE TO DETERMINE SUITABILITY OF PRODUCT FOR INTENDED USE.)"

DIMENSIONS IN BRACKETS ARE METRIC [mm]

CAD FILENAME/LAYERS G00239KJ_PB_HSTTN_L02A

PANDUIT CORP. TINLEY PARK, ILLINOIS

Ⓒ CHLORINATED POLYOLEFIN THIN WALL HEAT SHRINK (HSTTN)

REV	DATE	BY	CHK	DESCRIPTION	ECN	R	CUST	SUP
2	4/6/11	LEF	JVL	Ⓒ REMOVE REF. TO NEOPRENE WITH CHLORINATED POLYOLEFIN	G00239KJ	2	RAMI	
1	9/29/10	LEF	VJS	ⓑ ADDED "Y" REF. FOR ROHS COMPLIANT Ⓐ ADDED "Y" TO THE PANDUIT PART #	G00239KJ	1	RAMI	
R	5/12/03	LGG		INITIAL RELEASE	GB0239KJ	R		

UNLESS OTHERWISE SPECIFIED, DIMENSIONAL TOLERANCES ARE: (.X) ±0.05 (1.3) (.XXX) ±0.010 (0.25) (.XX) ±0.02 (0.5) ANGLES ± 5°		UNLESS OTHERWISE SPECIFIED, ALL DIMENSIONS ARE GIVEN IN INCHES, THIRD ANGLE PROJECTION.	
DRAWN BY LEF	MAT'L:	SCALE NONE	
DATE 9/29/10	SEE NOTES	DRAWING NO.	DWG
CHK'D VJS		G00239KJ	A SIZE