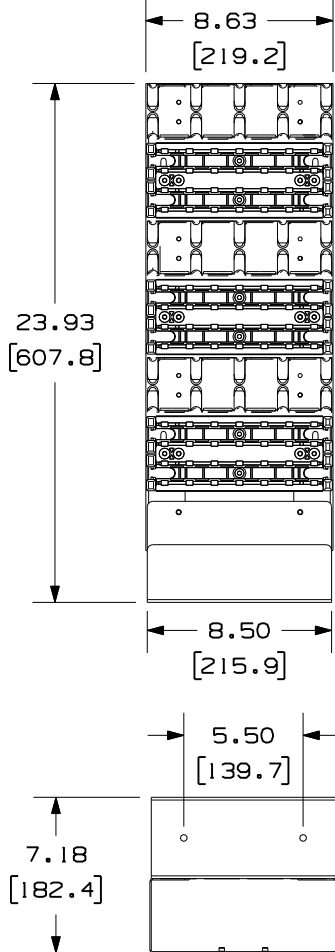
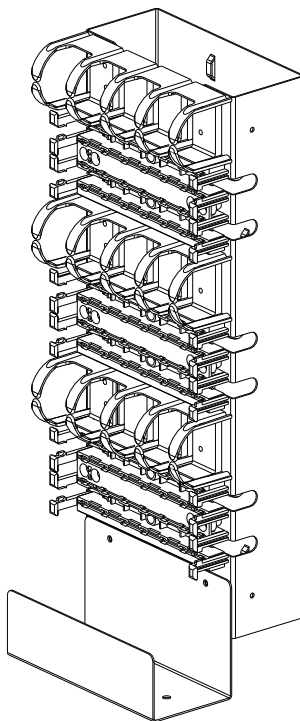


THIS COPY IS PROVIDED ON A RESTRICTED BASIS AND IS NOT TO BE USED IN ANY WAY DETRIMENTAL TO THE INTERESTS OF PANDUIT CORP.



PANDUIT PART NO.	WEIGHT
GPKT724Y	9.95 LB/ea 4522.73g/ea



**NOTES:**

1. SEE CURRENT CATALOG FOR ADDITIONAL PART NUMBER SUFFIXES TO INDICATE PACKAGE QUANTITY.
2. 288 PAIR CATEGORY 6 TOWER ASSEMBLY IS DESIGNED FOR WALL MOUNT APPLICATIONS, PROVIDES VERTICAL CABLE MANAGEMENT, AND SUPPLIED JUMPER TROUGHS PROVIDE VERTICAL CABLE MANAGEMENT.
3. ASSEMBLY COMES WITH FASTENER KIT WHICH INCLUDES THE FOLLOWING:  
(2) #12 X 1/2" SHEET METAL SCREWS,  
(2) #12 LOCK WASHERS, (1) 1/4-20 X 3/4 MACHINE SCREW, (1) 1/4-20 HEX NUT, (2) 1/4" LOCK WASHERS.
4. ALSO INCLUDED WITH TOWER IS A SCREW KIT USED TO MOUNT THE JUMPER TROUGHS AND BASES.
5. 6 LABEL HOLDERS AND 6 LABELS ARE ALSO PROVIDED.
6. SEE CHART FOR NUMBER OF CONNECTING BLOCKS INCLUDED FOR EACH PART NUMBER.
7. DIMENSIONS IN PARENTHESES ARE IN METRIC.

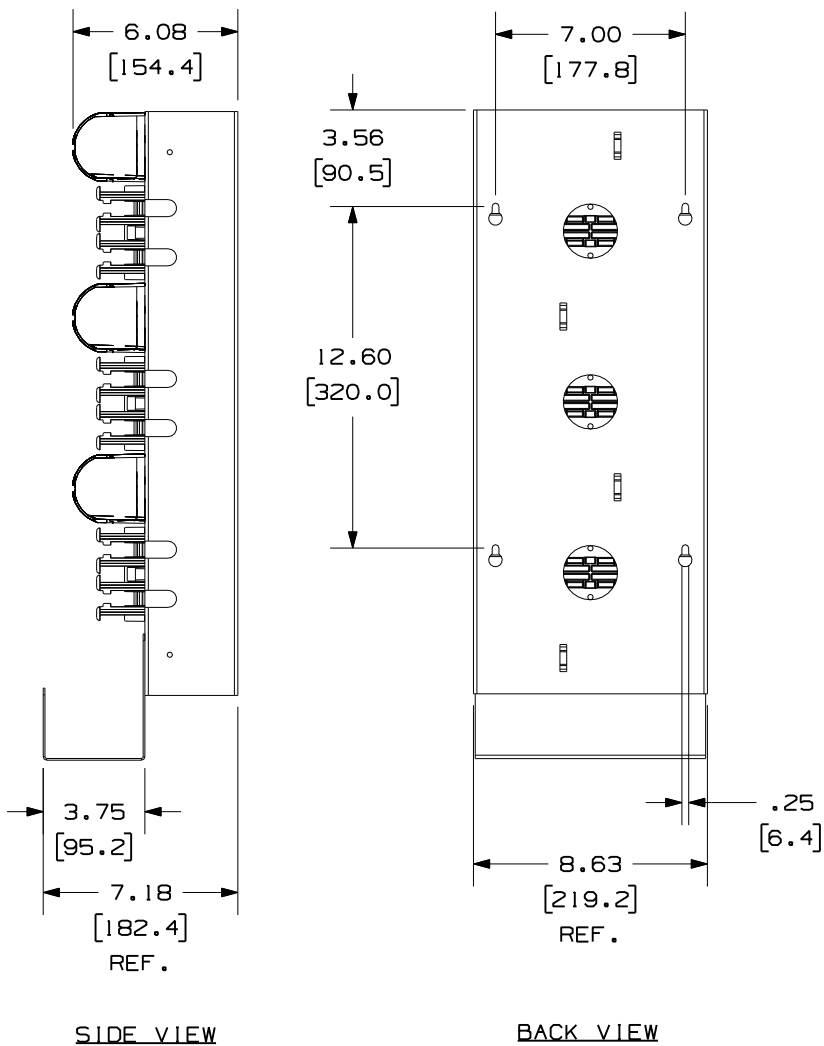
MODEL FILENAME	SIZE
DRAWING FILENAME	A
M01537PK_DC44_00A.PRT	

**GP6 PLUS STANDARD DENSITY 288 PAIR TOWER KIT CUSTOMER DRAWING**

<p>TINLEY PARK, ILL 60477</p>	1.1. NUMBER
	PRODUCT SPEC/ PKG SPEC
	ASSY METHOD/ TEST METHOD
	SCALE
<p>THIRD ANGLE PROJECTION</p>	<p>ALL DIMENSIONS ARE GIVEN IN INCHES, UNLESS OTHERWISE SPECIFIED.</p> <p>DIMENSIONAL TOLERANCES ARE: (.X) ±.03 (.XXX) ±.005 (.XX) ±.01 ANGLES ± 1°</p>
<p>DRAWN BY</p> <p>MDJr</p>	<p>REVIEW DRAWING NUMBERS</p> <p>SEE NOTES</p>
<p>DATE</p> <p>3-08-07</p>	<p>PART NO.</p> <p>GPKT724Y</p>
<p>REV</p> <p>CHK'D</p>	<p>DRAWING NO.</p> <p>01537-44 SHT. 1 OF 2</p>

REV	DATE	BY	CHK	DESCRIPTION	ECN	R	CUST	SUP	OTH
R	3-08-07	MDJr		RELEASED TO PRODUCTION	01537-44				

THIS COPY IS PROVIDED ON A RESTRICTED BASIS AND IS NOT TO BE USED IN ANY WAY DETRIMENTAL TO THE INTERESTS OF PANDUIT CORP.



MODEL FILENAME	SIZE
DRAWING FILENAME M01537PK_DC44_00A.PRT	A

GP6 PLUS STANDARD DENSITY 288  
PAIR TOWER KIT CUSTOMER DRAWING

<p>PANDUIT<sup>TM</sup> CORP. TINLEY PARK, ILL 60477</p>	1.1. NUMBER
	PRODUCT SPEC/ PKG SPEC
<p>THIRD ANGLE PROJECTION</p>	ASSY METHOD/ TEST METHOD
	SCALE NONE
DRAWN BY MDJr	PART NO. GPKT724Y
DATE 3-08-07	SEE NOTES
CHK'D	DRAWING NO. 01537-44 SHT. 2 OF 2

REV	DATE	BY	CHK	DESCRIPTION	ECN	R	CUST	SUP	OTH
R	3-08-07	MDJr		SEE SHEET 1 FOR REV. CHANGES.	01537-44				