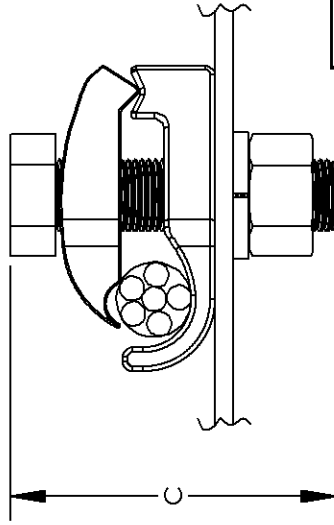
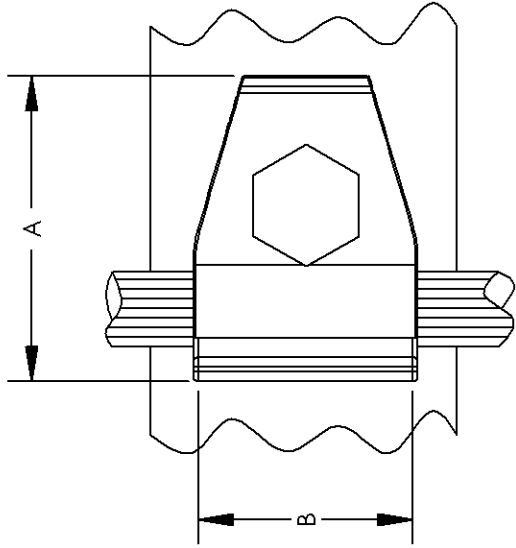


THIS COPY IS PROVIDED ON A RESTRICTED BASIS AND IS NOT TO BE USED IN ANY WAY DETRIMENTAL TO THE INTERESTS OF PANDUIT CORP.



NOTES:

1. MADE FROM HIGH COPPER CONTENT ALLOY. FURNISHED WITH FULL THREADED SILICON BOLT, NUTS, AND LOCKWASHERS.
2. THESE CONNECTORS ARE UL LISTED FOR GROUNDING AND BONDING, AND DIRECT BURIAL APPLICATIONS.
3. PACKAGE QTY: -Q = 25

PANDUIT PART NUMBER	CONDUCTOR RANGE	DIMENSIONS						BOLT DIA.
		A		B		C		
		IN	MM	IN	MM	IN	MM	
GM-2-Q	4 SOL. - 2/0 STR	1.63	41	1.13	28	1.75	44	0.38
GM-3-Q	2/0 STR. - 250 kcmil	1.88	47	1.50	38	2.00	51	0.50

REV	DATE	BY	CHK	DESCRIPTION	ECN	SCALE	N/A	DRAWING NO / CAD FILE
02	10/08	JHNU	JHNU	REVISED UL LISTING CONVERTED DWG. TO SOLIDWORKS				
01	1/01	EJS		DIM A FOR PART GM-3-Q WAS 2.13; ADDED PACKAGE CODE TO PART NUMBER, ADDED NOTE 3, REVISED UL LISTING; FILE SPEC WAS N41169CA_PCD_00				
00	10/95	ED	WJB	DWG. RELEASED	03702			



**PANDUIT CORP. TINLEY PARK, ILLINOIS**  
 BRONZE GROUND CLAMP CONNECTOR, GM SERIES  
 CUSTOMER DRAWING

DRAWING NO / CAD FILE: C41169\_02