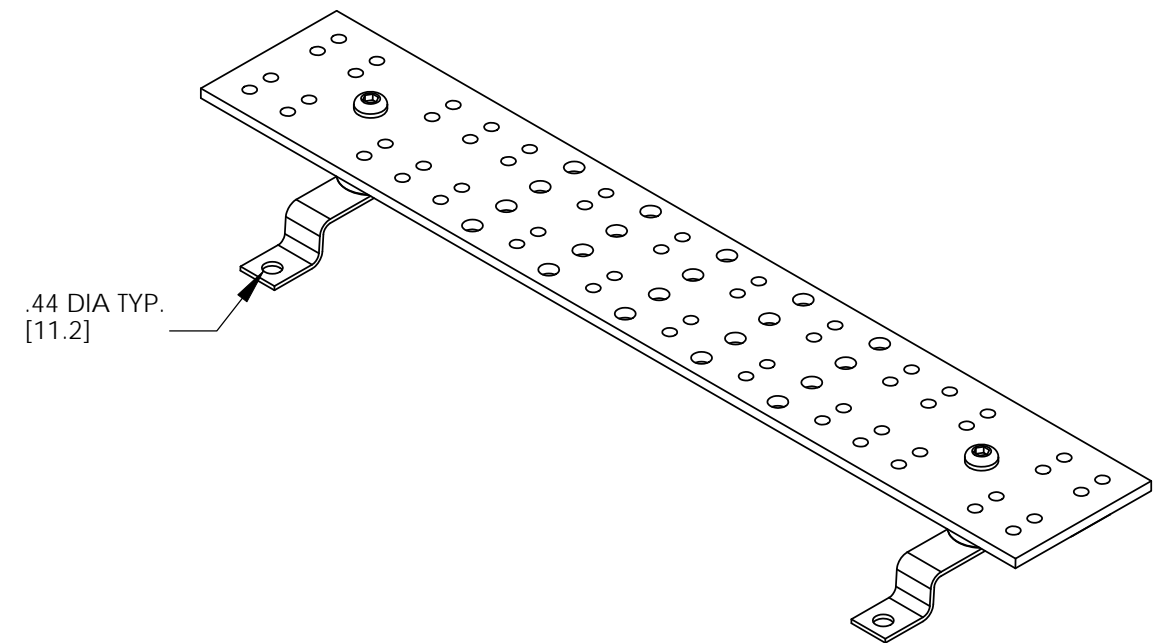
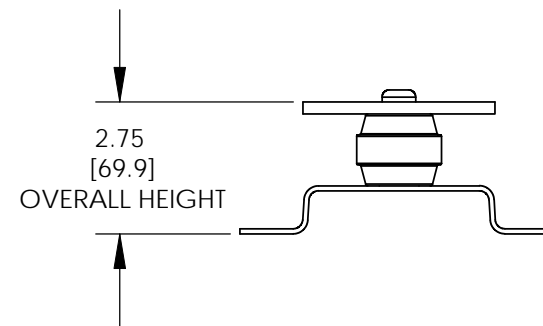
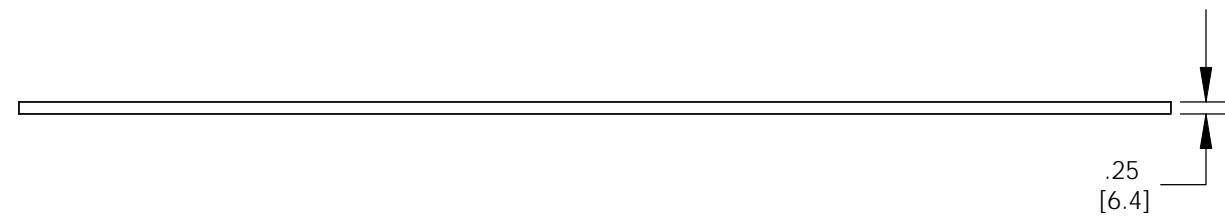
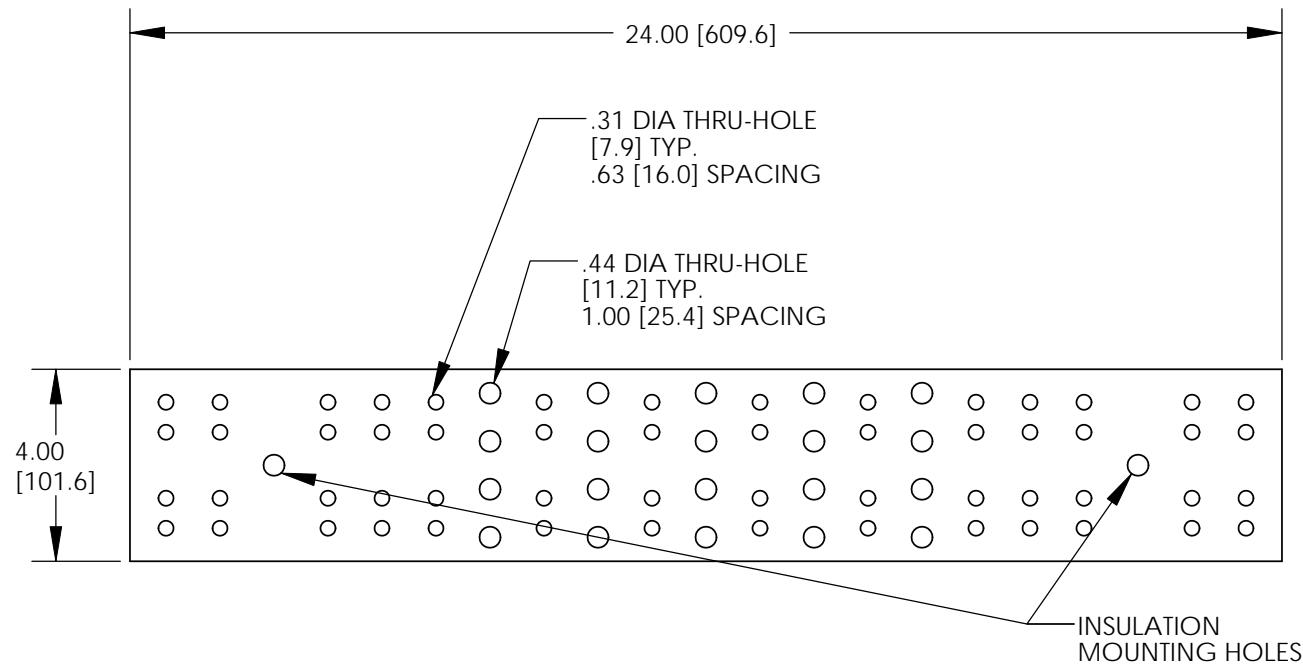


THIS COPY IS PROVIDED ON A RESTRICTED BASIS AND IS NOT TO BE USED IN ANY WAY DETRIMENTAL TO THE INTERESTS OF PANDUIT CORP.

NOTES:

1. KIT COMES FULLY ASSEMBLED
2. KIT INCLUDES BUSBAR, MOUNTING BRACKETS, INSULATORS, AND MOUNTING HARDWARE.
3. MEETS BICSI/J-STD-607-A
4. DIMENSIONS IN PARENTHESIS ARE MILLIMETERS.



ASSEMBLED AS SHOWN

							PANDUIT CORP. TINLEY PARK, ILLINOIS			
							TMGB BCSI GROUNDING BUSBAR (GB4B1028TPI-1) CUSTOMER DRAWING			
							UNLESS OTHERWISE SPECIFIED DIMENSIONAL TOLERANCES ARE: (.X) ± (.XXX) ± (.XX) ± ANGLES ±			
							UNLESS OTHERWISE SPECIFIED, ALL DIMENSIONS ARE GIVEN IN INCHES, THIRD ANGLE PROJECTION			
01	12/10	JHNU	JHNU	REVISED AGENCY LOGO	N41768BA-C41768	FLD	FLD	DRAWN BY JESH	MAT'L:	SCALE NONE
00	1/09	JESH	JESH	DRAWING RELEASED				DATE 1/09		DRAWING NO / CAD FILE C41768_01
REV	DATE	BY	CHK	DESCRIPTION	ECN	-R	SUP	CHK'D		DWG SIZE B