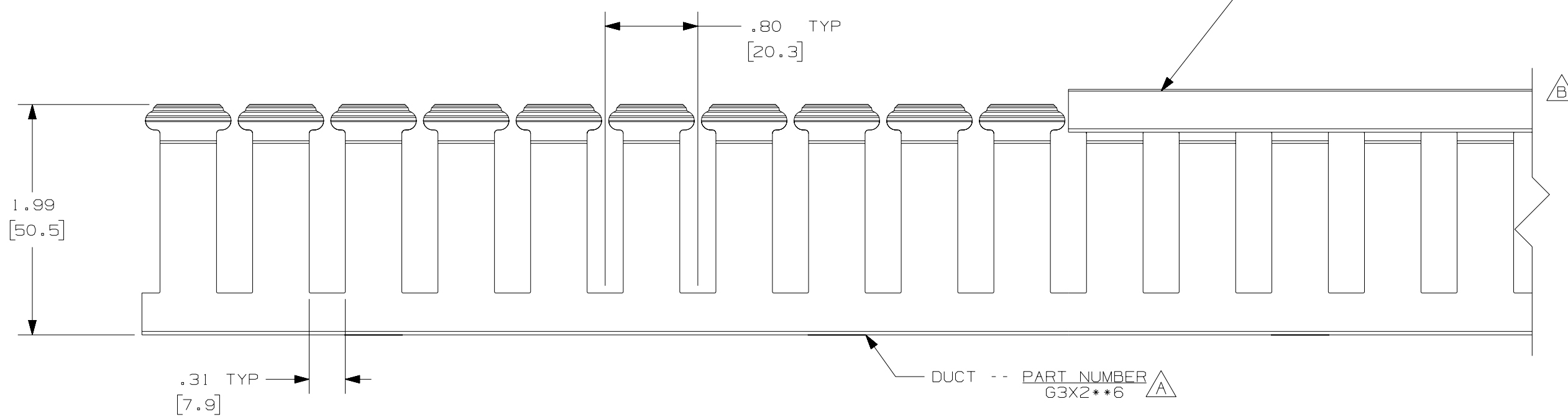
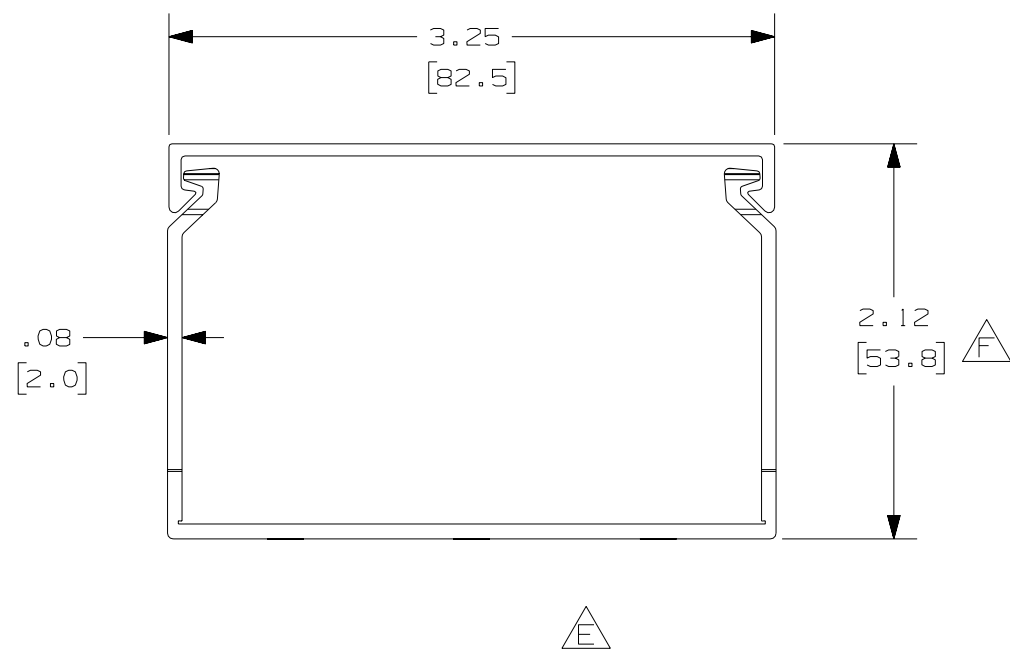
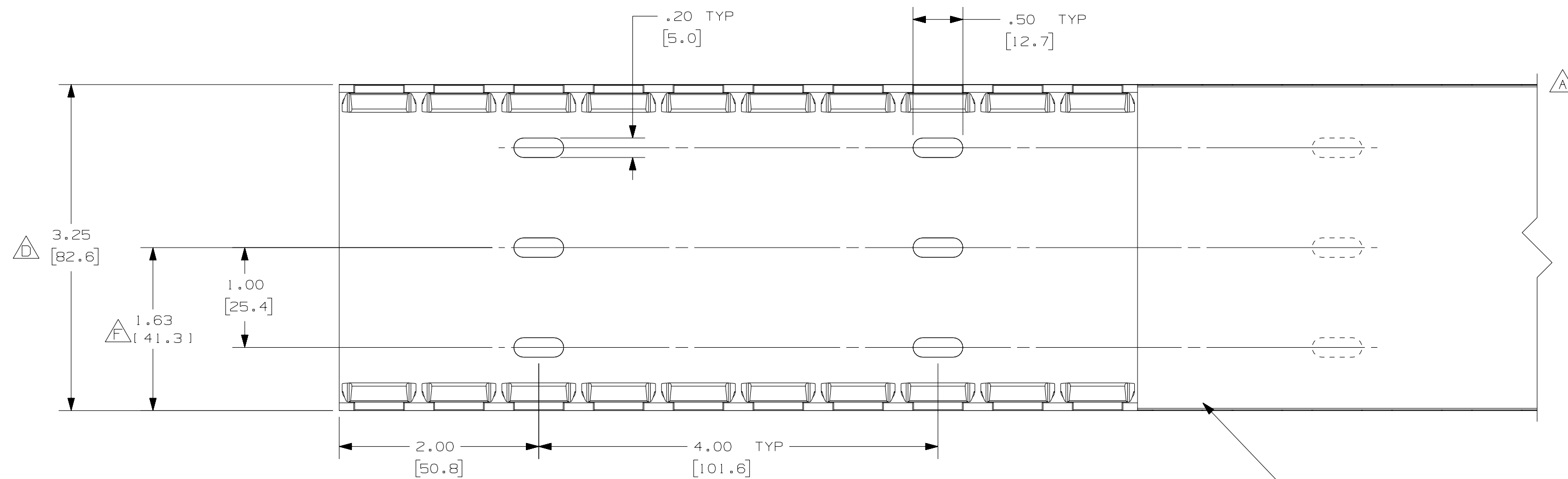


THIS COPY IS PROVIDED ON A RESTRICTED BASIS AND IS NOT TO BE USED IN ANY WAY DETRIMENTAL TO THE INTERESTS OF PANDUIT CORP.



COVER -- PART NUMBER C3\*\*6

DUCT -- PART NUMBER G3X2\*\*6



NOTES:

1. ALL DIMENSIONS ARE REFERENCE ONLY.
2. DIMENSIONS IN PARENTHESIS ARE METRIC.
3. THE \*\* DENOTE COLOR.
4. DUCT AND COVER ARE AVAILABLE IN 6 FT [1828.8] LENGTHS.

REV	DATE	BY	CHK	DESCRIPTION
--	-----	---	---	G. ADDED LENGTH NOTE F. CORRECTED DIMENSIONS
2	7-6-07	JCSTMKBE		E. DELETED DIMENSION D. ADDED DIMENSION
--	-----	---	---	C. CHANGED DRAWING SIZE
1	5-20-04	JCSTMKBE		B. CHANGED VIEW A. ADDED TOP VIEW, NOTES, AND LABELS
R	2-28-03	JCST	JGG	DRAWING RELEASED

CAD FILENAME/LAYERS		D11000QX_DC_00C	
<b>PANDUIT</b> CORP. TINLEY PARK, ILLINOIS			
WIRING DUCT - TYPE G DUCT WITH COVER 3X2 MARKETING DRAWING			
DRWN BY JCST	MAT'L: PVC	SCALE FULL	DWG NO.
DATE 2-28-03			36897-710
CHECKED BY JGG			SIZE C