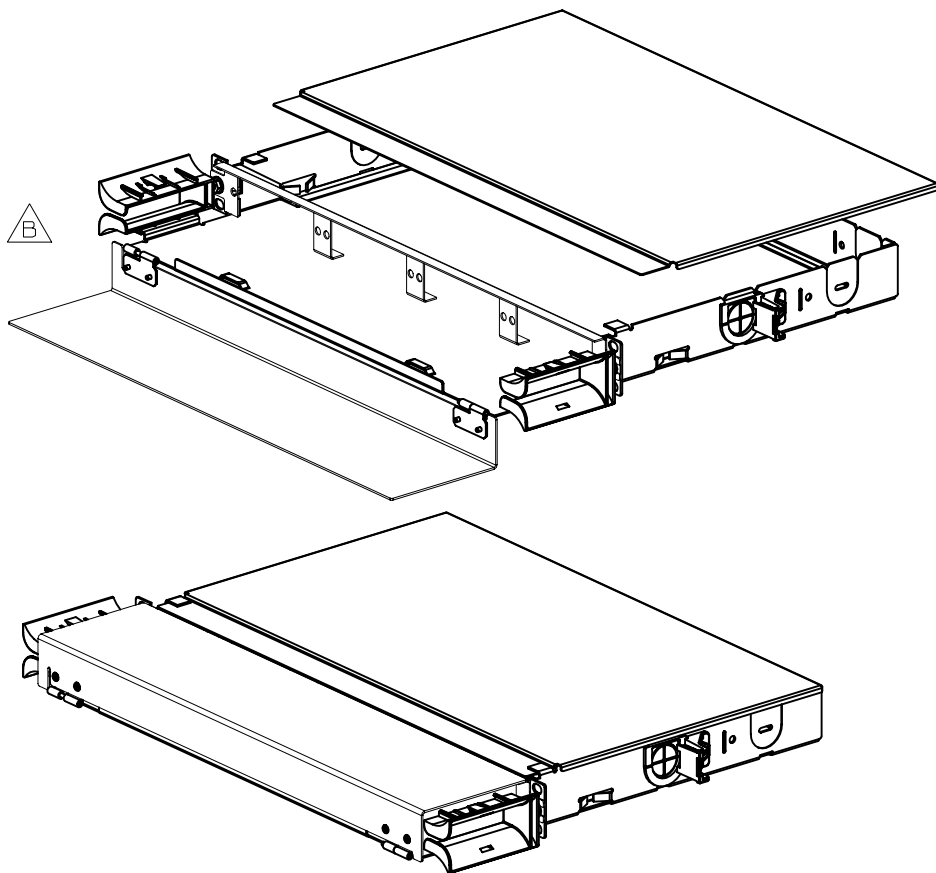


THIS COPY IS PROVIDED ON A RESTRICTED BASIS AND IS NOT TO BE USED IN ANY WAY DETRIMENTAL TO THE INTERESTS OF PANDUIT CORP.



NOTES:

1. SEE CURRENT CATALOG FOR COMPLETE LIST OF PARTS APPLICABLE FOR USE WITH THIS PART.
2. DRAWER PROVIDES A MEANS TO MANAGE AND ORGANIZE FIBER OPTIC CABLE WHEN USING PANDUIT MODULAR PATCH PANELS.
3. MATERIAL:
FIBER TRAY 16 GAGE(.060)(1.5) GALVANNEAL
COVER 20 GAGE(.040)(1.0) GALVANNEAL.
4. SLIDE OUT DRAWER ACCEPTS UP TO 4 FAP* OR FMP* ADAPTER PLATES (OPTIONAL).
5. FIBER OPTIC TRAY/DRAWER MOUNTS ONTO EIA STANDARD 19" RACKS AND OCCUPIES ONE RACK SPACE.
6. THIS PART INCLUDES A CABLE ROUTING ACCESSORY KIT.
7. DIMENSIONS IN PARENTHESES ARE IN METRIC.
8. FRONT DRAWER EXTENDS 5" PAST TRAY MOUNTING FLANGES.

PANDUIT PART NO.	WEIGHT
FMD1	11.00 LB/EA 5000 g/EA

MODEL FILENAME V10050AA_FMD1_02.prt

CAD FILENAME/LAYERS V10050AA_DC_00C.prt (1)

PANDUIT CORP. TINLEY PARK, ILLINOIS
24 PORT FIBER OPTIC MULTIMEDIA DRAWER (FMD1)
CUSTOMER DRAWING

UNLESS OTHERWISE SPECIFIED,
DIMENSIONAL TOLERANCES ARE:
(.X) ± (.XXX) ±
(.XX) ± .03 (.8 ANGLES ±

UNLESS OTHERWISE SPECIFIED,
ALL DIMENSIONS ARE GIVEN
IN INCHES, THIRD ANGLE PROJECTION.

REV	DATE	BY	CHK	DESCRIPTION	ECN	R	CUST	SUP	OTH
2	4/15/02	RYB		B. REVISED EXPLODED VIEW	10050-23				
1	3/11/02	JDWE		A. CHANGED SHEET NUMBERS	10050-23				
R	2/26/02	RYB	RDC	RELEASED TO PRODUCTION	10050-23				

DRAWN BY REY B
DATE 2/26/02
CHK'D RDC

MAT'L:

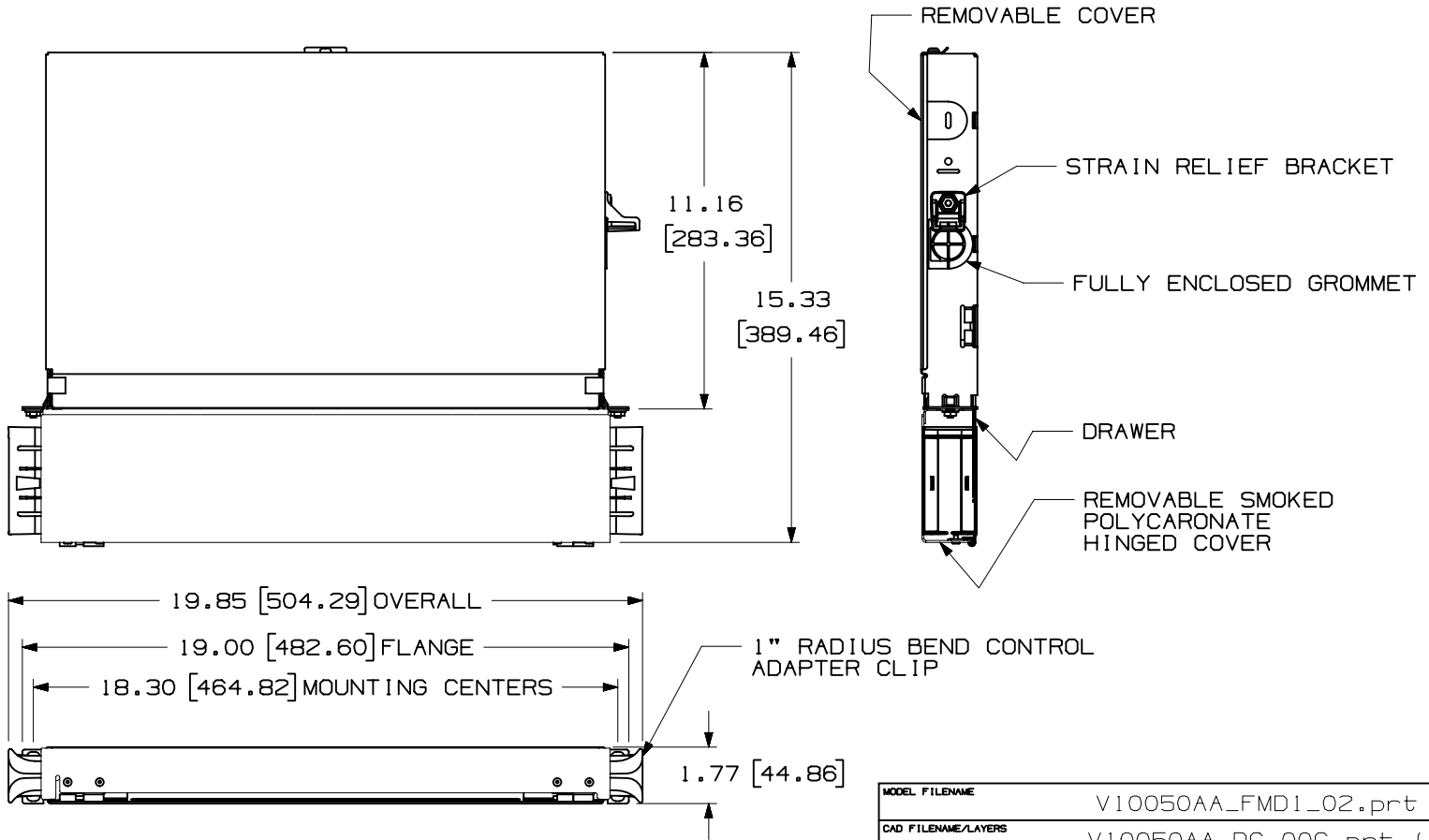
SEE NOTES

SCALE NONE

DRAWING NO. 10050-23
SHEET 1 OF 2

DWG A SIZE

THIS COPY IS PROVIDED ON A RESTRICTED BASIS AND IS NOT TO BE USED IN ANY WAY DETRIMENTAL TO THE INTERESTS OF PANDUIT CORP.



MODEL FILENAME V10050AA_FMD1_02.prt

CAD FILENAME/LAYERS V10050AA_DC_00C.prt (1)

PANDUIT CORP. TINLEY PARK, ILLINOIS

24 PORT FIBER OPTIC MULTIMEDIA DRAWER (FMD1)
CUSTOMER DRAWING

UNLESS OTHERWISE SPECIFIED,
DIMENSIONAL TOLERANCES ARE:
(.X) ± (.XXX) ±
(.XX) ± .03 (.8 ANGLES ±

UNLESS OTHERWISE SPECIFIED,
ALL DIMENSIONS ARE GIVEN
IN INCHES, THIRD ANGLE PROJECTION.

2	4/15/02	RYB		SEE SHEET 1 OF 2 FOR REVISIONS	10050-23					
1	3/11/02	JDWE		SEE SHEET 1 OF 2 FOR REVISIONS	10050-23					
R	2/26/02	RYB	RDC	SEE SHEET 1 OF 2 FOR REVISIONS	10050-23					

DRAWN BY REY B

MAT'L:

SCALE NONE

DATE 2/26/02

SEE NOTES

DRAWING NO. 10050-23
SHEET 2 OF 2

DWG A SIZE

REV	DATE	BY	CHK	DESCRIPTION	ECN	R	CUST	SUP	OTH
-----	------	----	-----	-------------	-----	---	------	-----	-----