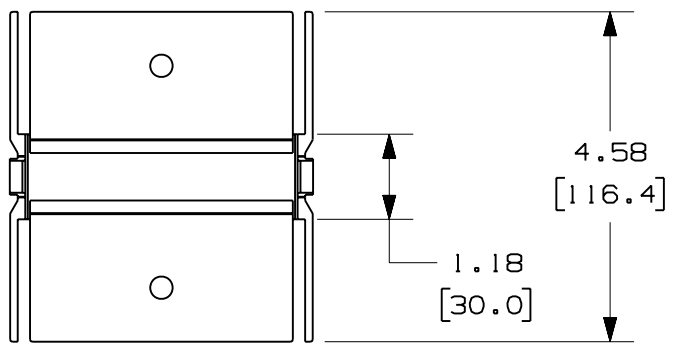


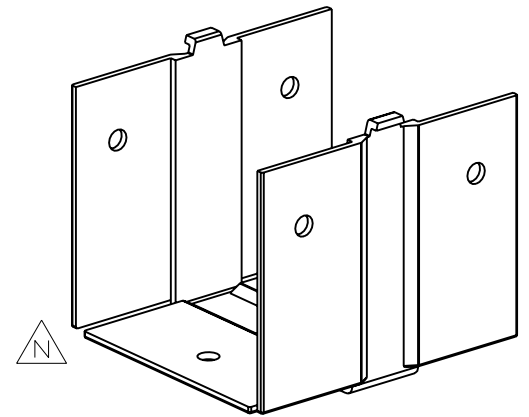
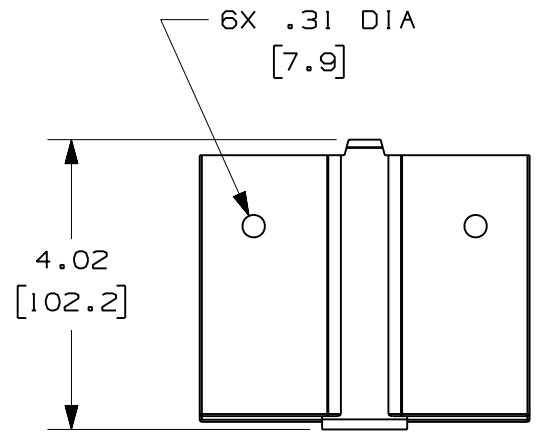
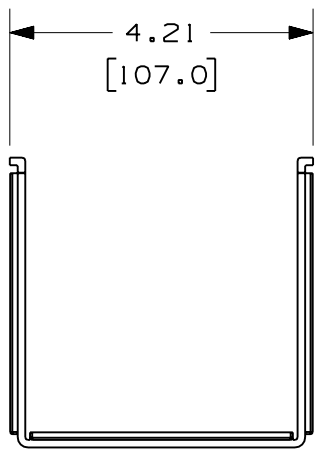
K



NOTES:

1. SEE CURRENT CATALOG FOR ADDITIONAL PART SUFFIXES TO INDICATE COLOR AND/OR PACKAGE QUANTITY.
2. DIMENSIONS IN PARENTHESES ARE IN METRIC.

PANDUIT PART NUMBER	WEIGHT
FCF4X4	0.20 LB/EACH (92g/EACH)



ENG. REF.: D35245BH\_DC\_FCF4X4\_06.prt

CAD FILENAME/LAYERS FCF4X4.pdf

REV	DATE	BY	CHK	DESCRIPTION	ECN	R	CUST	SUP	GMBH
-	-----	---	--	P. REVISED GENERAL NOTES.	-----	--	--		
-	-----	---	--	O. REVISED CHART. N. REVISED PART GEOMETRY.	-----	--	--		
-	-----	---	--	M. REVISED DRAWING TITLE. L. REVISED CAD FILENAME.	-----	--	--		
6	6-16-06	MSO	RN	K. REV'D DWG. TO CUR. STAND. J. REVISED AND REDRAWN.	35245-08	RN	RN		

**PANDUIT** CORP TINLEY PARK, ILLINOIS  
**FIBER-DUCT 4x4 COUPLER**  
 (FCF4X4)  
 CUSTOMER DRAWING

UNLESS OTHERWISE SPECIFIED, DIMENSIONAL TOLERANCES ARE: (.X) ± (.XXX) ± (.XX) ± .03 (.8) ANGLES ±		UNLESS OTHERWISE SPECIFIED, ALL DIMENSIONS ARE GIVEN IN INCHES, THIRD ANGLE PROJECTION.	
DRAWN BY DW	MAT'L: ABS	SCALE NONE	
DATE 1-30-96		DRAWING NO. 35245-08	DWG A
CHK'D CEF			SIZE