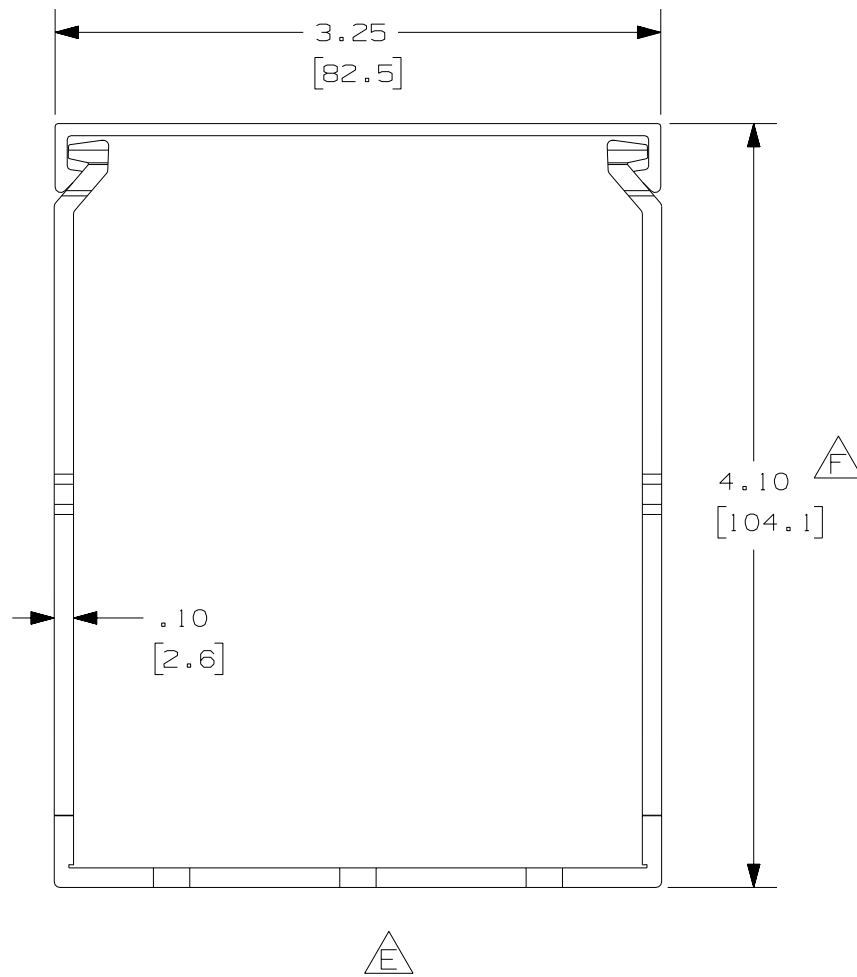
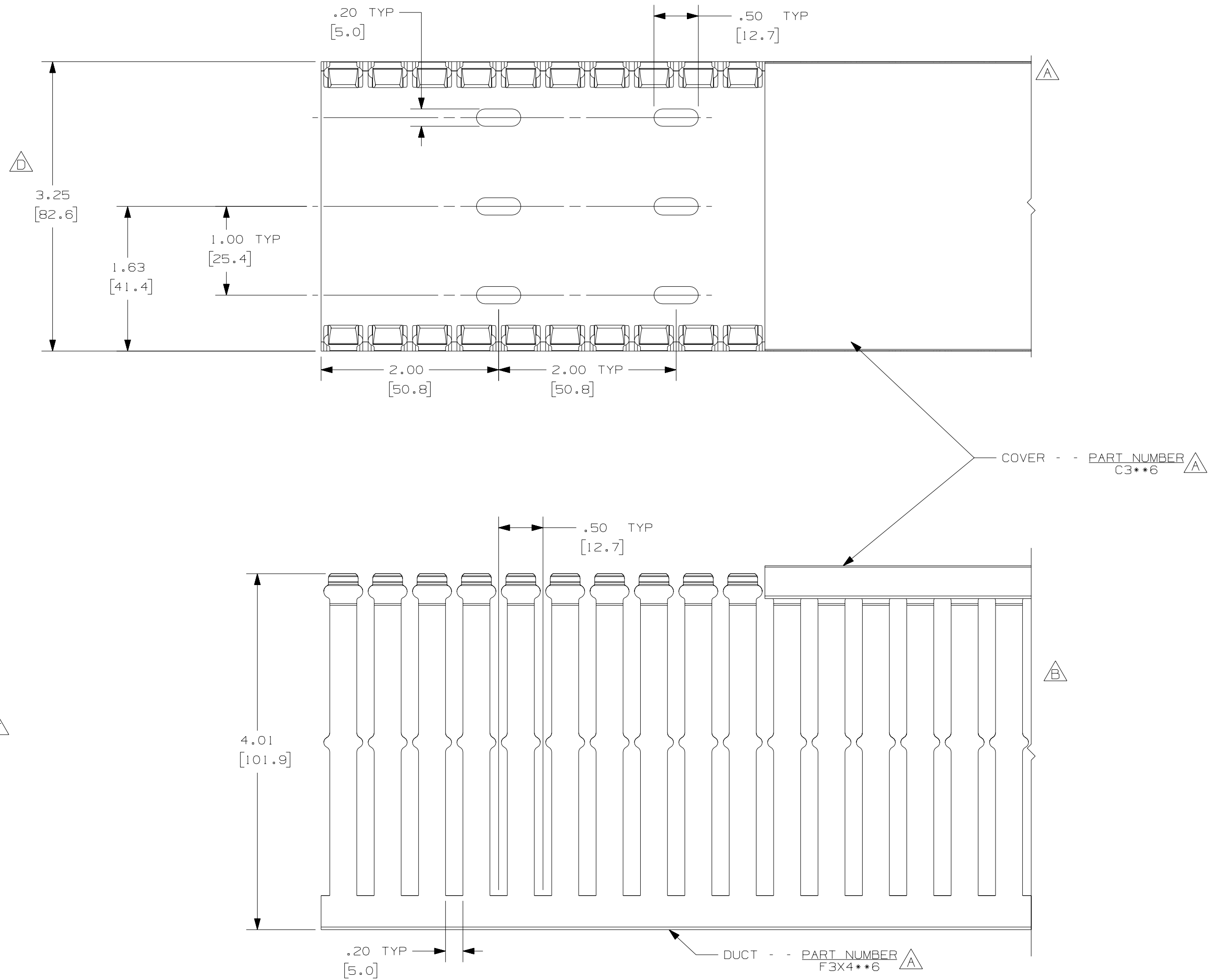


THIS COPY IS PROVIDED ON A RESTRICTED BASIS AND IS NOT TO BE USED IN ANY WAY DETRIMENTAL TO THE INTERESTS OF PANDUIT CORP.



A G

NOTES:

1. ALL DIMENSIONS ARE REFERENCE ONLY.
2. DIMENSIONS IN PARENTHESIS ARE METRIC.
3. THE ** DENOTE COLOR.
4. DUCT AND COVER ARE AVAILABLE IN 6 FT [1828.8] LENGTH.

| REV | DATE | BY | CHK | DESCRIPTION |
|-----|---------|----------|-----|--|
| 2 | 7-23-07 | JCSTMKBE | | G. ADDED LENGTH NOTE F. CORRECTED DIMENSION E. DELETED DIMENSION D. ADDED DIMENSION |
| 1 | 9-9-04 | JCSTMKBE | | C. CHANGED DRAWING SIZE B. CHANGED VIEW A. ADDED TOP VIEW, NOTES, AND LABELS |
| R | 3-20-03 | JCST | JGG | DRAWING RELEASED |

| | | | |
|--|-------------------|--------------------------|-----------|
| CAD FILENAME/LAYERS | | D11000CQ_DC/00C | |
| PANDUIT CORP. TINLEY PARK, ILLINOIS | | | |
| WIRING DUCT - TYPE F DUCT WITH COVER 3X4 MARKETING DRAWING | | | |
| DRWN BY JCST | MAT'L: PVC | SCALE FULL | DWG C |
| DATE 3-20-03 | CHECKED BY JGG | DRAWING NO. 36897-779 | SIZE C |