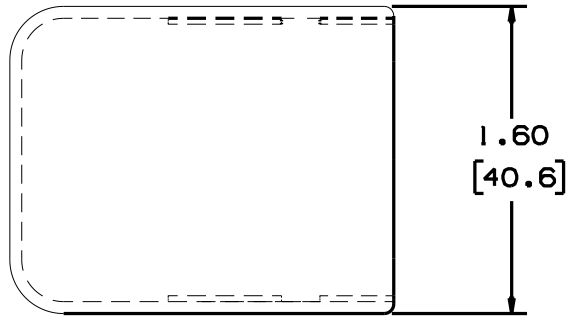


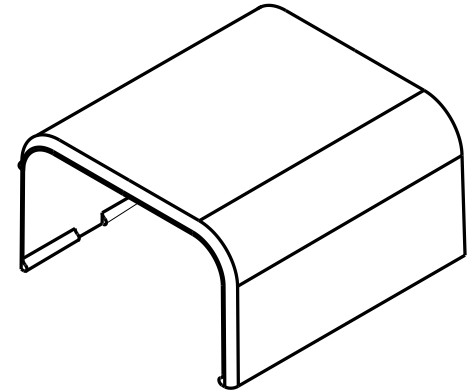
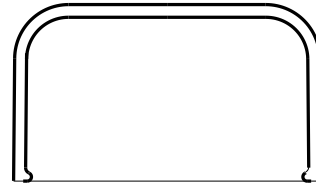
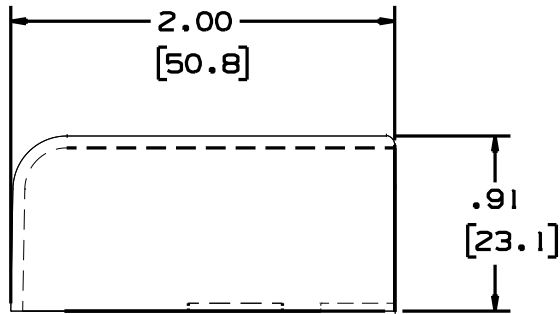
THIS COPY IS PROVIDED ON A RESTRICTED BASIS AND IS NOT TO BE USED IN ANY WAY DETRIMENTAL TO THE INTERESTS OF PANDUIT CORP.





PANDUIT P/N	WEIGHT
ECF10	1.36 LB/ 100PCS. (617g/ 100PCS.)

NOTES:

1. SEE CURRENT CATALOG FOR ADDITIONAL PART SUFFIXES TO INDICATE COLOR AND OR PACKAGE QUANTITY.
2. DIMENSIONS IN PARENTHESIS ARE IN METRIC.



REV	DATE	BY	CHK	DESCRIPTION	ECN	R	CUST	SUP	CAD FILENAME/LAYERS
--	--	--	RELEASED TO PRODUCTION	--	--		D34116BF_DC_ECF10/02D.PRT
7	5-30-08	BDK	RMH	G. REVISED TO CURRENT CAD STANDARDS DRAWING # WAS SS-17775	34116-11	RTF	RTF		<p>PANDUIT CORP. TINLEY PARK, ILLINOIS</p> <p>END CAP FITTING (ECF10)</p> <p>CUSTOMER DRAWING</p> <p>UNLESS OTHERWISE SPECIFIED, DIMENSIONAL TOLERANCES ARE:</p> <p>(.X) ± (.XXX) ±</p> <p>(.XX) ± .031.81 ANGLES ±</p> <p>UNLESS OTHERWISE SPECIFIED, ALL DIMENSIONS ARE GIVEN IN INCHES, THIRD ANGLE PROJECTION.</p> <p>SCALE FULL</p> <p>DRAWING NO. 34116-11</p> <p>DWG SIZE A</p>
6	7-2-02	JHNU	RMH	F. REVISED MATERIAL IN DRAWING TITLE BLOCK.	17775	RGRO	RGRO		
5	8-30-00	JHNU	HIW	E. REVISED AND REDRAWN.	17775	HIW	HIW		
4	12-28-91	DW	BKR	D. REV'D NOTE AND REMOVED COLOR FROM DWG.	17775	BKR	CF		
3	2-28-91	DW	CF	C. REV'D COLORS: OMIT BEIGE, LIGHT IVORY, AND LIGHT GREY. ADDED INT. WHITE AND INT. GREY	17775	CF	WJB/CF		
2	12-2-87	LDB	WJB	B. ADDED P/N ECF10E1 AND ECF10L1.	17775	WJB	WJB		
1	10-1-84	CEK	HMP	A. REVISED MAT'L.	17775	HMP	AJC		
R	11-4-82	SS	HMP	DRAWING RELEASED	17775	HMP	JKR		
									<p>DRAWN BY SARGIS</p> <p>DATE 11-4-82</p> <p>CHK'D JVL</p> <p>MAT'L: ABS</p> <p></p> <p></p>