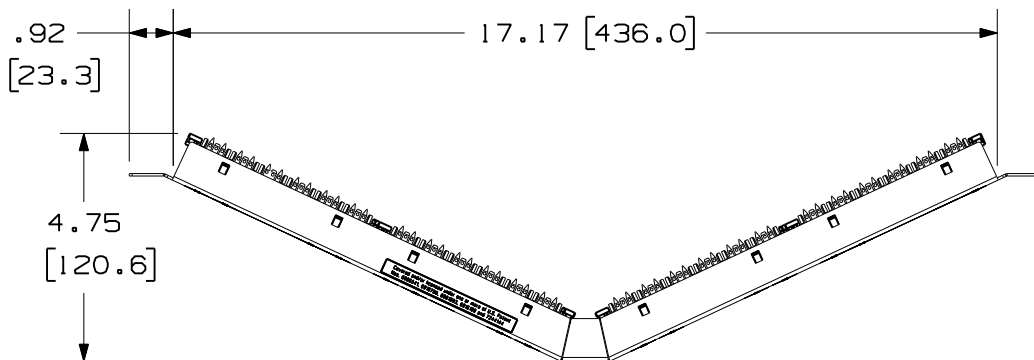


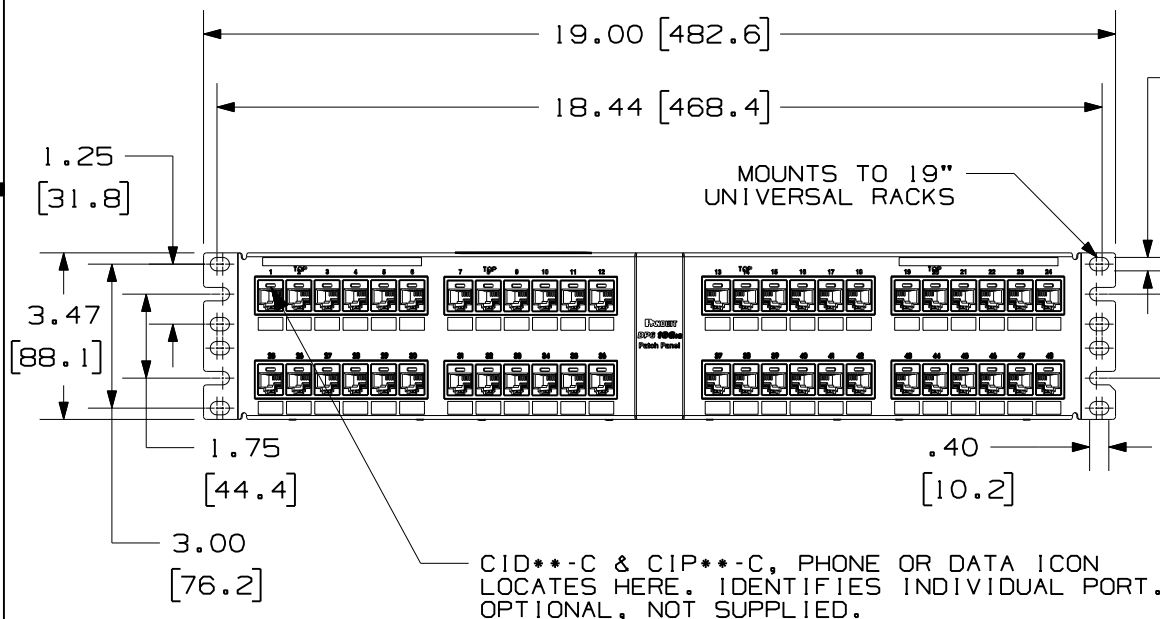
THIS COPY IS PROVIDED ON A RESTRICTED BASIS AND IS NOT TO BE USED IN ANY WAY DETRIMENTAL TO THE INTERESTS OF PANDUIT CORP.



PANDUIT PART NUMBER	WEIGHT
DPA486X88TG Y	2.36 lb (1070.48 g)

NOTES:

- SEE CURRENT CATALOG FOR VARIOUS APPLICATIONS AS WELL AS OPTIONAL ICONS.
- MATERIAL:
 PANEL HOUSING: STEEL
 RJ45 MODULES: THERMOPLASTIC RESIN UL94V-0
 PUNCHDOWN BLOCKS: THERMOPLASTIC RESIN UL94V-0
 BEZEL ASSEMBLY: THERMOPLASTIC RESIN UL94H-B
 RETENTION CAP: THERMOPLASTIC RESIN UL94V-0
- 48 PORT ANGLED PATCH PANEL 8 POSITION 8 WIRE.
- THE PATCH PANEL IS DESIGNED FOR MOUNTING TO 19" UNIVERSAL RACKS.
- FOUR (4) 12-24 X 1/2" ROUND HEAD SCREWS AND (4) M6x1x15MM METRIC SCREWS ARE PROVIDED FOR FASTENING TO RACKS.
- DIMENSIONS IN BRACKETS ARE IN METRIC.
- USE 110 STYLE TERMINATION TOOL FOR PUNCHDOWN.
- RETENTION CAPS (ONE PER CONNECTOR) PROVIDED FOR SNAP-IN ON TERMINATED CONNECTORS.



CID**-C & CIP**-C, PHONE OR DATA ICON LOCATES HERE. IDENTIFIES INDIVIDUAL PORT. OPTIONAL, NOT SUPPLIED.

MODEL FILENAME	MO2088AD/06	SIZE	A
DRAWING FILENAME	MO2479IZ_DC236/00B		

DP6A 10GIG 48 PORT ANGLED PATCH PANEL CUSTOMER DRAWING

<p>PANDUITTM CORP. TINLEY PARK, ILL 60477</p>	I.I. NUMBER
	PRODUCT SPEC
<p>THIRD ANGLE PROJECTION</p>	WORK INSTRUCTION
	SCALE .25 : 1
<p>ALL DIMENSIONS ARE GIVEN IN INCHES, UNLESS OTHERWISE SPECIFIED.</p> <p>DIMENSIONAL TOLERANCES ARE: (.X) ±.03 (.XXX) ±.005 (.XX) ±.01 ANGLES ± 1°</p>	PART NO. SEE CHART
<p>DRAWN BY LZ</p> <p>DATE 3-4-06</p> <p>CHK'D CEF</p>	DRAWING NO. 02479-236

REV	DATE	BY	CHK	DESCRIPTION	ECN	R	CUST	SUP	OTH
I	12-2-08	BJN	EJH	A. DP6A WAS DP6	02479-236				
R	3-4-06	LZ	CEF	RELEASED TO PRODUCTION	02479-236	CEF	CEF		CEF