

THIS COPY IS PROVIDED ON A RESTRICTED BASIS AND IS NOT TO BE USED IN ANY WAY DETRIMENTAL TO THE INTERESTS OF PANDUIT CORP.

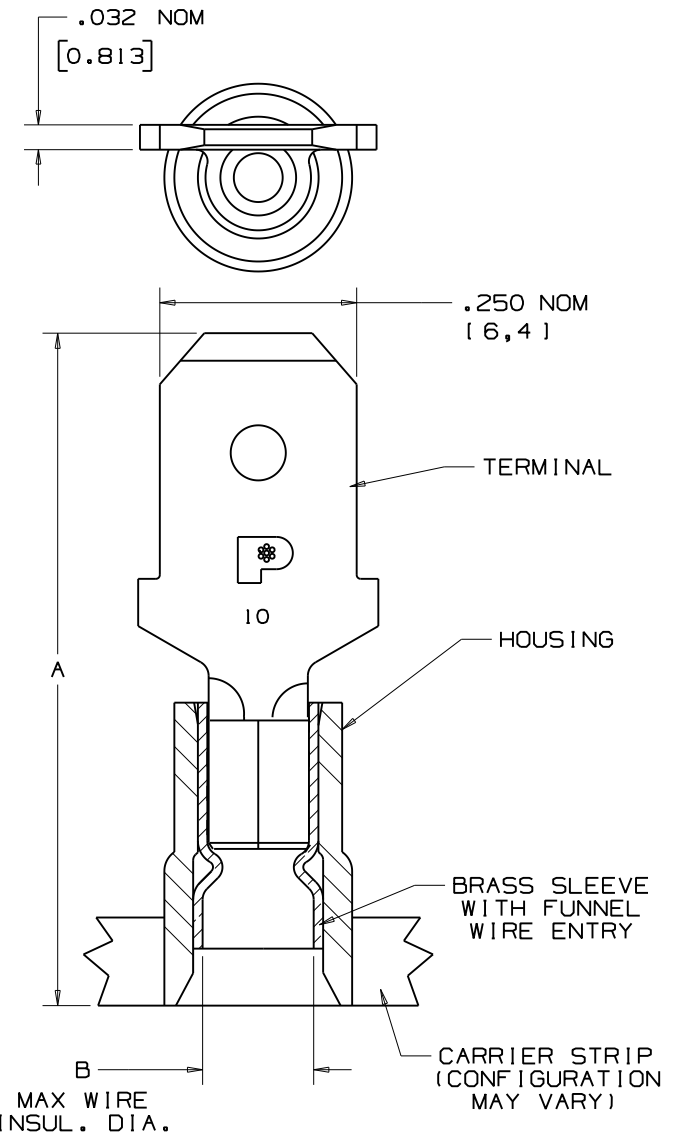
| PART NUMBER | | TAB SIZE | WIRE RANGE AWG (mm ²) | DIMENSIONS | | HOUSING COLOR | TOOL CHART RECOMMENDED PRESSES CP-861, CP-860 CP-851, CP-862 CA-800/CA9 DIE INSERTS |
|-------------|-----|----------------------------|---|---------------|------------------|------------------|---|
| | | | | A ±.030 | B ^{MAX} | | |
| PREFIX | PK | | | | | | |
| DNF18-250M | -3K | .250 X .032 (6.3 X 0.8) | 22-18 (0,5-1,0) | .90 (22,9) | .145 (3,68) | RED | CD-800-1 CA9-1A |
| DNF14-250M | -3K | .250 X .032 (6.3 X 0.8) | 16-14 (1,5-2,5) | .90 (22,9) | .162 (4,11) | BLUE | CD-800-2 CA9-2A |
| DNF10-250M | -2K | .250 X .032 (6.3 X 0.8) | 12-10 (4,0-6,0) | .95 (24,1) | .225 (5,72) | YELLOW | CD-800-3 CA9-3B |

NOTES:

- USED FOR:
 - A. 600V MAX. VOLTAGE RATING.
 - B. 105° C (221°F) MAX. TEMP. RATING
 - C. STRANDED COPPER WIRE ONLY.
- PACKAGE QTY:
 - 3K = 3000 PC. REEL
 - 2K = 2000 PC. REEL
- MATERIAL:
 - A. STAMPING: COPPER, NICKEL PLATED
 - B. HOUSING: TYPE 6/6 NYLON
- WIRE STRIP LENGTH: $9/32 \begin{matrix} +1/32 \\ -0 \end{matrix} (7.1 \begin{matrix} +.8 \\ -0 \end{matrix})$ (DNF18-250M & DNF14-250M)
 : $11/32 \begin{matrix} +1/32 \\ -0 \end{matrix} (8.7 \begin{matrix} +.8 \\ -0 \end{matrix})$ (DNF10-250M)
- DIMENSIONS IN BRACKETS ARE IN mm OR mm².



CERTIFIED
LR31212



| REV | DATE | BY | CHK | DESCRIPTION |
|-----|------|-----|-----|--------------------------------------|
| 06 | 9/10 | SRB | SRB | Removed CSA exception for DNF10-250M |

PANDUIT

CORP.

TINLEY PARK, ILLINOIS

REELSMART™, DISCO™, NYLON BARREL INSULATED
MALE DISCONNECTS (.250 X .032 TAB SIZE)

| | | | |
|----------|-------|-------|--------------------------|
| DRAWN BY | CHK'D | SCALE | DRAWING NO./CAD FILENAME |
| BDK | RLS | NONE | A41533 |