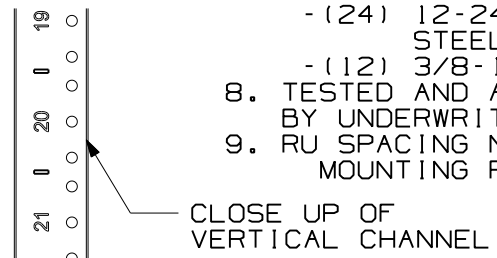
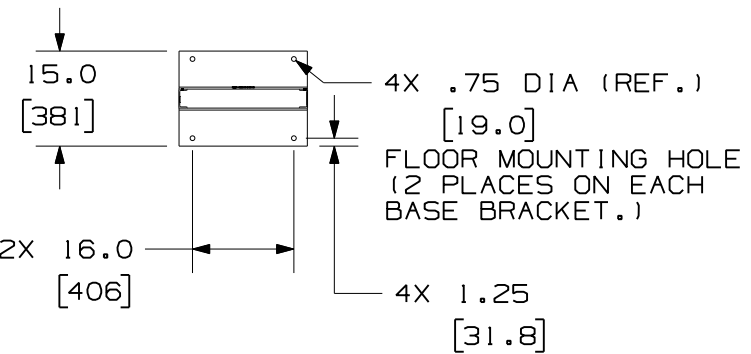
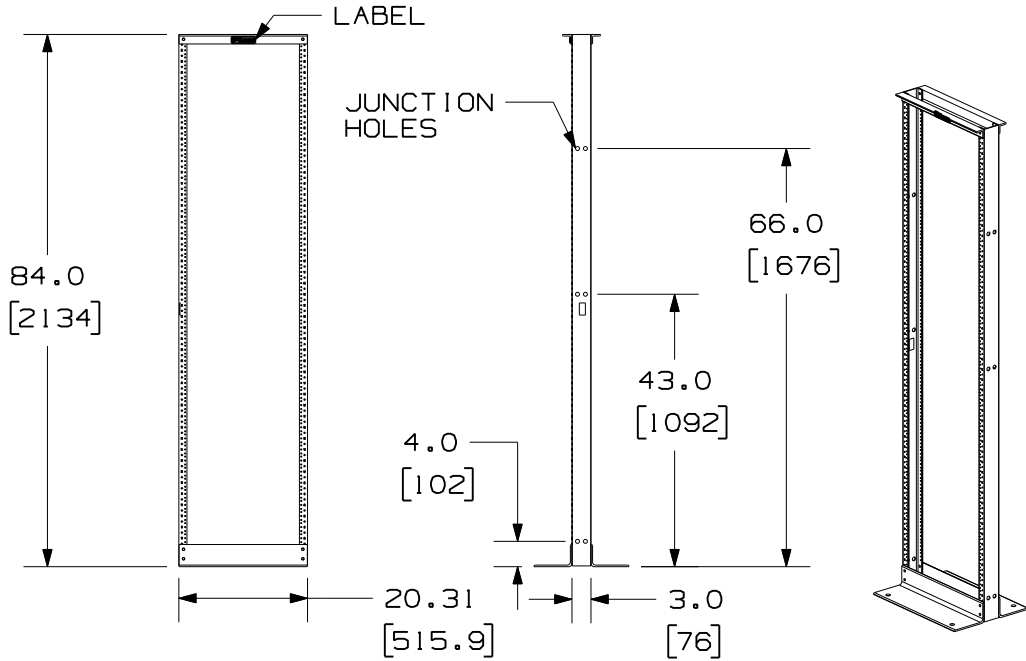


THIS COPY IS PROVIDED ON A RESTRICTED BASIS AND IS NOT TO BE USED IN ANY WAY DETRIMENTAL TO THE INTERESTS OF PANDUIT CORP.



PANDUIT P/N	WEIGHT
CMR19X84	28.00 LB/EACH (12.70 KG/EACH)

NOTES:

- CAN BE USED WITH ANY INDUSTRY STANDARD 19" COMPONENTS IN ADDITION TO ALL PANDUIT CABLE MANAGEMENT AND PATCH PANEL PRODUCTS.
- WILL HOLD UP TO 45 SINGLE RACK SPACINGS.
- EIA SPACING ON RACK: I.E., REF. HOLE SPACING ON UPRIGHT CHANNELS: .625, .625, .500, .625, .625, .500, ETC.
- ASSEMBLY IS REQUIRED.
- RACK PART THICKNESSES:
 - UPRIGHT CHANNELS: WEB; .14 ±.03
FLANGE; .19 ±.03
 - TOP BRACKET: .25 ±.03
 - BASE BRACKET: .25 ±.03
- DIMENSIONS IN PARENTHESIS ARE IN METRIC.
- ALL ASSEMBLY HARDWARE INCLUDED:
 - (12) 3/8-16 X 1" BLACK HEX HEAD CAP SCREW
 - (1) 3/8" PAINT PIERCING GROUNDING WASHER
 - (1) TUBE OF ANTI-OXIDIZING PASTE
 - (24) 12-24 X .5" SLOTTED PAN HEAD STEEL SCREWS
 - (12) 3/8-16 BLACK HEX NUTS
- TESTED AND APPROVED 1000 LBS LOAD RATING BY UNDERWRITERS LABORATORIES.
- RU SPACING NUMBERS ARE CLEARLY PRINTED ON MOUNTING RAILS.

MODEL FILENAME	M00256AA/08
CAD FILENAME/LAYERS	M00256AA_DC/08A
PANDUIT CORP. TINLEY PARK, ILLINOIS	
CABLE MANAGEMENT RACK (CMR19X84) CUSTOMER DRAWING	

REV	DATE	BY	CHK	DESCRIPTION	ECN	R	CUST	SUP	OTH
08A	11-6-08	BAME	DPM	CHANGED NUMBERING ORIENTATION UPDATED HARDWARE NOTE UPDATED REVISION BLOCK	00256-05				
7	10-03-06	LEE	MWH	L. CHANNEL GEOMETRY (HOLES) REVISED K. NOTE 9 WAS 800 LBS LOAD RATING J. NOTE 8 REVISED	00256-05		KRKE	KRKE	
6	11-18-05	TKW	MWH	G. ADDED DIMENSION TO THE BASE BRACKET H. REPOSITIONED DIMENSION TO THE OUTSIDE SURFACE OF VERTICAL CHANNELS	00256-05	ALMY	KRKE	KRKE	
5	11-17-03	RVLE	KRKE	E. REMOVED PEM NUTS F. ADDED (12) 3/8 - 16 BLACK HEX NUTS	00256-05		RTSU	RTSU	
4	1-21-02	JDWE	KRKE	D. CHANGED LOAD RATING FROM 500 LBS.	00256-05		RLFR	RLFR	

UNLESS OTHERWISE SPECIFIED, DIMENSIONAL TOLERANCES ARE: (.X) ± (.XXX) ± (.XX) ± ANGLES ±		UNLESS OTHERWISE SPECIFIED, ALL DIMENSIONS ARE GIVEN IN INCHES, THIRD ANGLE PROJECTION.	
DRAWN BY JsP	MAT'L: ALUMINUM	SCALE NONE	
DATE 5-29-98	ALUMINUM	DRAWING NO. 00256-05	DWG SIZE A
CHK'D KRKE			