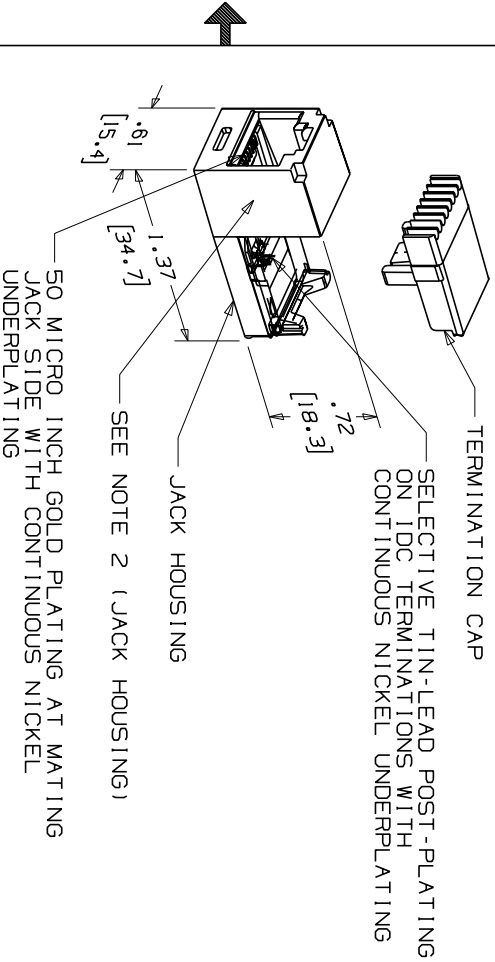


THIS COPY IS PROVIDED ON A RESTRICTED BASIS AND IS NOT TO BE USED IN ANY WAY DETRIMENTAL TO THE INTERESTS OF PANDUIT CORP.

PANDUIT PART NO.	DESCRIPTION	WEIGHT
CJ64XXXXXX	6 POSITION, 4 WIRE TERMINATION CAP	1.62 lb/100 PCS. 1.738 g/100 PCS. 1
CJ66XXXXXX	6 POSITION, 6 WIRE TERMINATION CAP	1.62 lb/100 PCS. 1.738 g/100 PCS. 1
CJ66UXXXXXX	6 POSITION, 6 WIRE MODULAR JACK TERMINATION CAP IS COLOR CODED FOR USOC WIRING SCHEME	1.62 lb/100 PCS. 1.738 g/100 PCS. 1



- NOTE:
- SEE CURRENT CATALOG FOR ADDITIONAL PART NUMBER SUFFIXES TO INDICATE COLOR AND/OR PACKAGE QUANTITY.
 - MATERIAL: JACK HOUSING - ABS
 - NOMINAL WALL THICKNESS .0781 2.01. TERMINATION CAP - POLYCARBONATE. THIS PART IS DESIGNED FOR USE WITH MINI-COM PLATES AND BOXES.
 - MEETS ALL CATEGORY 3 PERFORMANCE REQUIREMENTS AS DEFINED BY EIA/TIA.
 - DIMENSIONS IN PARENTHESIS ARE IN METRIC.

CAD FILENAME/LAYERS: M02479NU_DC349_00A.PRT

PANDUIT CORP., TINLEY PARK, ILLINOIS
 MINI-JACK CATEGORY 3 TWISTED PAIR CONNECTOR MODULE
 CUSTOMER DRAWING

UNLESS OTHERWISE SPECIFIED, DIMENSIONAL TOLERANCES ARE:
 (1.X) ± .03 ANGLES ± 1°
 (1.XX) ± .01

UNLESS OTHERWISE SPECIFIED, ALL DIMENSIONS ARE GIVEN IN INCHES, THIRD ANGLE PROJECTION.

SCALE: NONE

DRAWING NO. 02479-349
 DWG SIZE A

REV	DATE	BY	CHK	DESCRIPTION	ECN	CHK	CUST	SUP
R	3-25-06	NER		RELEASED TO PRODUCTION	02479-349			