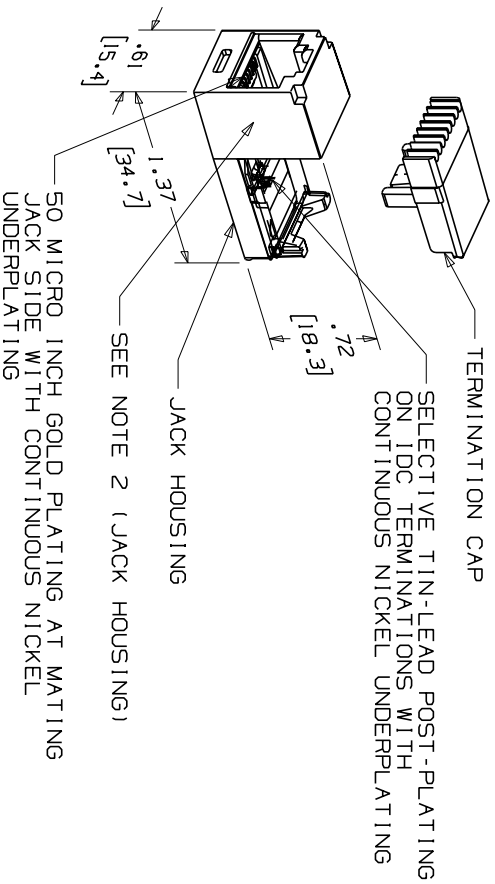


THIS COPY IS PROVIDED ON A RESTRICTED BASIS AND IS NOT TO BE USED IN ANY WAY DETRIMENTAL TO THE INTERESTS OF PANDUIT CORP.

PANDUIT PART NO.	DESCRIPTION	WEIGHT
CJ64XXXXXX	6 POSITION, 4 WIRE TERMINATION CAP	1.62 lb/100 PCS. 1.738 g/100 PCS.)
CJ66XXXXXX	6 POSITION, 6 WIRE TERMINATION CAP	1.62 lb/100 PCS. 1.738 g/100 PCS.)
CJ66UXXXXXX	6 POSITION, 6 WIRE MODULAR JACK TERMINATION CAP IS COLOR CODED FOR USOC WIRING SCHEME	1.62 lb/100 PCS. 1.738 g/100 PCS.)



- NOTE:
1. SEE CURRENT CATALOG FOR ADDITIONAL PART NUMBER SUFFIXES TO INDICATE COLOR AND/OR PACKAGE QUANTITY.
  2. MATERIAL: JACK HOUSING - ABS
  3. NOMINAL WALL THICKNESS .0781 2.01. TERMINATION CAP - POLYCARBONATE. THIS PART IS DESIGNED FOR USE WITH MINI-COM PLATES AND BOXES.
  4. MEETS ALL CATEGORY 3 PERFORMANCE REQUIREMENTS AS DEFINED BY EIA/TIA.
  5. DIMENSIONS IN PARENTHESIS ARE IN METRIC.

3D0 FILENAME/LAYERS  
M02479NJ\_DC349\_00A.PRT

**PANDUIT**  
CORP., TINLEY PARK, ILLINOIS  
MINI-JACK CATEGORY 3 TWISTED  
PAIR CONNECTOR MODULE  
CUSTOMER DRAWING

UNLESS OTHERWISE SPECIFIED,  
DIMENSIONAL TOLERANCES ARE:  
(.XX) ± .03 ANGLES ± 1°  
(.XXX) ± .005

UNLESS OTHERWISE SPECIFIED,  
ALL DIMENSIONS ARE GIVEN  
IN INCHES, THIRD ANGLE PROJECTION.

REV	DATE	BY	CHK	DESCRIPTION	ECN	CHK	CUST	SUP	DRAWN BY	DATE	MAT'L:	DRAWING NO.	DWG
R	3-25-06	NER		RELEASED TO PRODUCTION	02479-349				NER	3-25-06	AS NOTED	02479-349	A
									CHECKED BY				SIZE