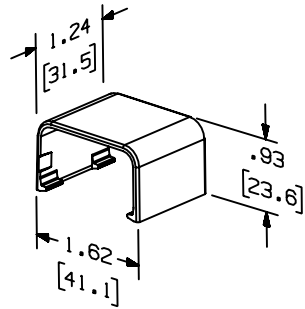


THIS COPY IS PROVIDED ON A RESTRICTED BASIS AND IS NOT TO BE USED IN ANY WAY DETRIMENTAL TO THE INTERESTS OF PANDUIT CORP.

△ A	PANDUIT PART NO.	WEIGHT
△ B	CFX10	1.8 LB/100 PCS (810 g/100 PCS)



NOTES:

1. SEE CURRENT CATALOG FOR ADDITIONAL PART NUMBER SUFFIXES TO INDICATE COLOR AND OR PACKAGE QUANTITY.
2. THIS PRODUCT IS INTENDED TO BE USED WITH PANDUIT TYPE LD10, LDP10 AND LDP210 RACEWAY.
3. NOMINAL WALL THICKNESSES: .070 (1.8).
4. DIMENSIONS IN PARENTHESIS ARE IN METRIC.

CAD FILENAME/LAYERS D35013CJ\_LD\_CFX10\_03.PRT

PANDUIT CORP. TINLEY PARK, ILLINOIS

COUPLER FITTING (CFX10)  
CUSTOMER DRAWING

REV	DATE	BY	CHK	DESCRIPTION	ECN	CHK	CUST	SUP
3	03-11-04	JHEP	RGRO	D. REMOVED CD10 FROM NOTE 2	35013-10	RGRO	RGRO	
2	09-23-96	JBA	CEF	C. REV'D MATERIAL: WAS PVC B. REV'D P/N: WAS CFC10	35013-10	CEF	CEF	
1	04-23-96	JBA	CEF	A. REV'D P/N: WAS CFX10	35013-10	CEF		
R	02-15-95	DEW	CEF	RELEASED TO PRODUCTION	35013-10	CEF		

UNLESS OTHERWISE SPECIFIED, DIMENSIONAL TOLERANCES ARE: (.X) ± (.XXX) ±.015 (.4) (.XX) ±.03 (.8) ANGLES ±		UNLESS OTHERWISE SPECIFIED, ALL DIMENSIONS ARE GIVEN IN INCHES, THIRD ANGLE PROJECTION.	
DRAWN BY DEW	MAT'L: ABS/PC	SCALE NONE	
DATE 02-15-96	△	DRAWING NO. 35013-10	DWG SIZE A
CHECKED BY CEF			