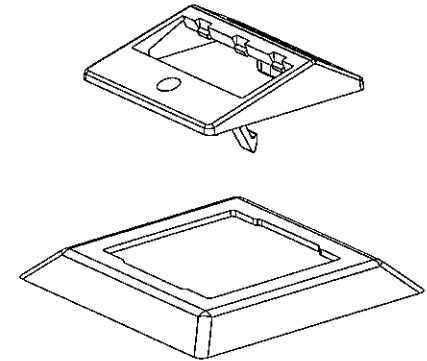
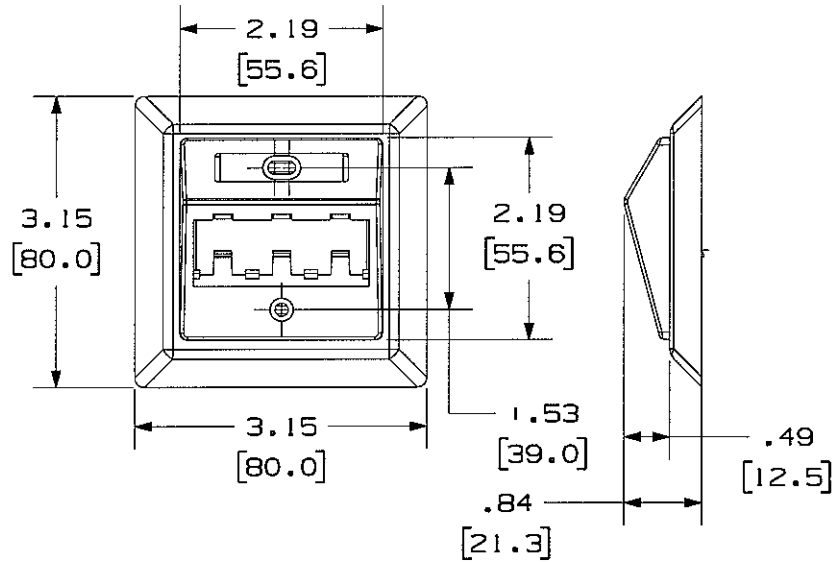



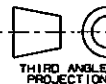
THIS COPY IS PROVIDED ON A RESTRICTED BASIS AND IS NOT TO BE USED IN ANY WAY DETRIMENTAL TO THE INTERESTS OF PANDUIT CORP.

PANDUIT P/N	WEIGHT
CFPE3**Y	1.00 LB/10 PCS. (453.6 g/10 PCS.)

NOTES:

- SEE CURRENT CATALOG FOR ADDITIONAL PART NUMBER SUFFIXES TO INDICATE COLOR AND OR PACKAGE QUANTITY.
- SEE CATALOG FOR COMPLETE LIST OF PARTS APPLICABLE FOR USE WITH THIS PART.
- DIMENSIONS IN [] ARE IN METRIC.
- KIT INCLUDES:
 - 1- METAL MOUNTING PLATE
 - 1- SCREW KIT
 - 1- LABEL/COVER
 - 1- BOX80 BEZEL
 - 1- 3 POSITION SLOPED FACEPLATE



DRAWING FILENAME		M02479FO_DC_00A.PRT		SIZE	A	
MINI-COM 3 POSITION 80mm X 80mm SLOPED FACEPLATE KIT CUSTOMER DRAWING						
 PANDUIT ™ CORP. TINLEY PARK, ILL 60477		I.I. NUMBER		N/A		
 THIRD ANGLE PROJECTION		ALL DIMENSIONS ARE GIVEN IN INCHES, UNLESS OTHERWISE SPECIFIED. DIMENSIONAL TOLERANCES ARE: (.X) ± (.XXX) ± .010(.3) (.XX) ± .001(.8) ANGLES ±		PRODUCT SPEC		N/A
DRAWN BY		MATERIAL		WORK INSTRUCTION		N/A
DATE		ABS		SCALE		NONE
7-27-06				PART NO.		CFPE3**Y
CHK'D				DRAWING NO.		02479-147
M/D						

REV	DATE	BY	CHK	DESCRIPTION	ECN	R	CUST	SUP	OTH
R	7-27-06	JsP	M/D	RELEASED TO PRODUCTION	02479-147				