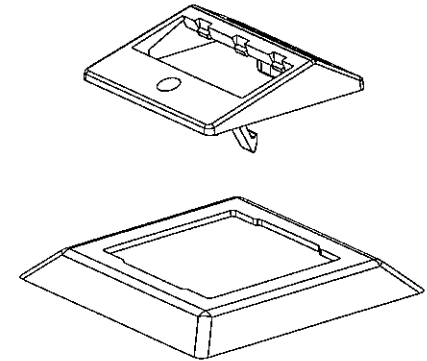
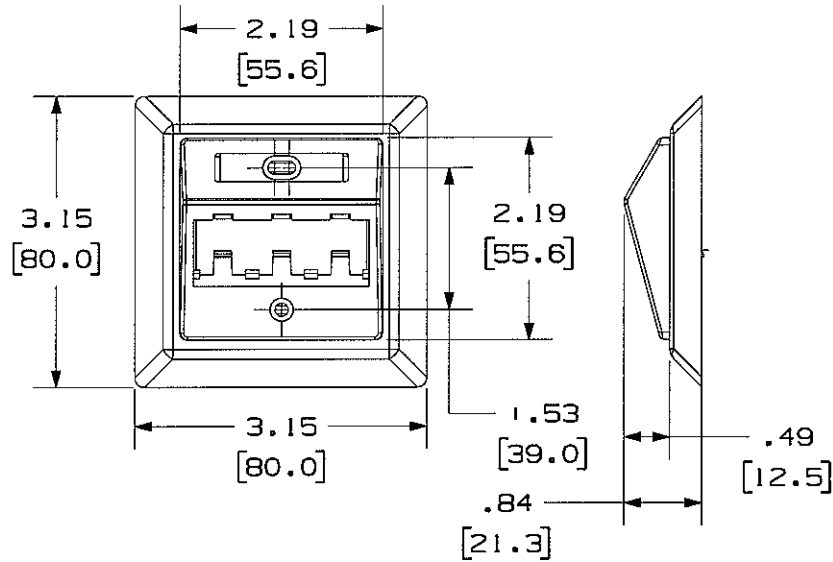


THIS COPY IS PROVIDED ON A RESTRICTED BASIS AND IS NOT TO BE USED IN ANY WAY DETRIMENTAL TO THE INTERESTS OF PANDUIT CORP.

PANDUIT P/N	WEIGHT
CFPE3**Y	1.00 LB/10 PCS. (453.6 g/10 PCS.)

NOTES:

- SEE CURRENT CATALOG FOR ADDITIONAL PART NUMBER SUFFIXES TO INDICATE COLOR AND OR PACKAGE QUANTITY.
- SEE CATALOG FOR COMPLETE LIST OF PARTS APPLICABLE FOR USE WITH THIS PART.
- DIMENSIONS IN [ ] ARE IN METRIC.
- KIT INCLUDES:
  - 1- METAL MOUNTING PLATE
  - 1- SCREW KIT
  - 1- LABEL/COVER
  - 1- BOX80 BEZEL
  - 1- 3 POSITION SLOPED FACEPLATE



DRAWING FILENAME		M02479FO_DC_00A.PRT		SIZE	A
MINI-COM 3 POSITION 80mm X 80mm SLOPED FACEPLATE KIT CUSTOMER DRAWING					
PANDUIT <sup>TM</sup> CORP. TINLEY PARK, ILL 60477		I.I. NUMBER		N/A	
THIRD ANGLE PROJECTION		PRODUCT SPEC		N/A	
ALL DIMENSIONS ARE GIVEN IN INCHES. UNLESS OTHERWISE SPECIFIED.		WORK INSTRUCTION		N/A	
DIMENSIONAL TOLERANCES ARE: (.X) ± (.XXX) ± .01(.3) (.XX) ± .03(.8) ANGLES ±		SCALE		NONE	
DRAWN BY JsP		MATERIAL		PART NO. CFPE3**Y	
DATE 7-27-06		ABS		DRAWING NO. 02479-147	
REV		DATE		BY	
CHK'D		DESCRIPTION		ECN - R CUST SUP OTH	

R	7-27-06	JsP	MM	RELEASED TO PRODUCTION	02479-147	MM	MM			
REV	DATE	BY	CHK	DESCRIPTION	ECN	R	CUST	SUP	OTH	