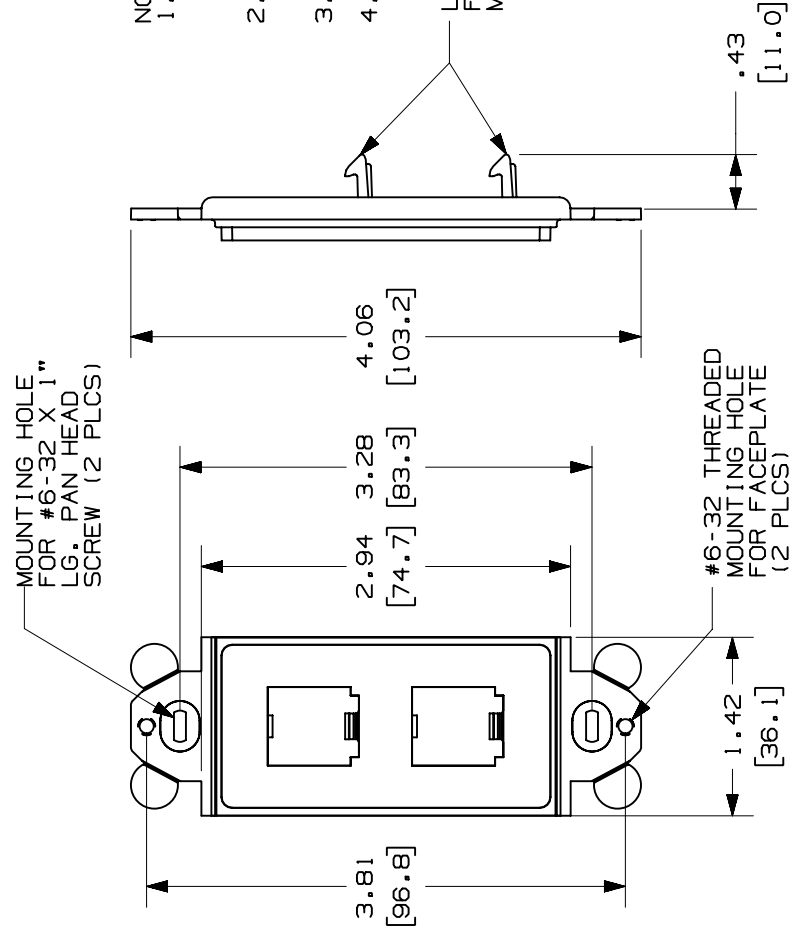
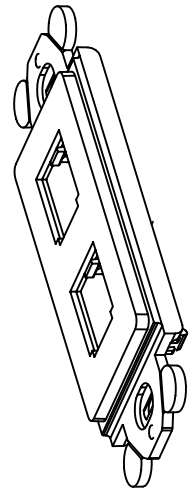


THIS COPY IS PROVIDED ON A RESTRICTED BASIS AND IS NOT TO BE USED IN ANY WAY DETRIMENTAL TO THE INTERESTS OF PANDUIT CORP.



- NOTES:**
- SEE CURRENT CATALOG FOR ADDITIONAL PART NUMBER SUFFIXES TO INDICATE COLOR AND OR PACKAGE QUANTITY.
 - SEE CATALOG FOR COMPLETE LIST OF PARTS APPLICABLE FOR USE WITH THIS PART.
 - DIMENSIONS IN PARENTHESES ARE IN METRIC.
 - (2) #6-32 X 1" PANHEAD SCREWS ARE SUPPLIED.



PANDUIT P/N	WEIGHT
CFG2**	.23 LB/10 PCS (106.0 g/10 PCS)



CAD FILENAME/LAYERS		M00021CA_DC_00D.PRT	
PANDUIT		CORP. TINLEY PARK, ILLINOIS	
UNLESS OTHERWISE SPECIFIED, DIMENSIONAL TOLERANCES ARE: (.X) ± (.XX) ±.03(.8) ANGLES ±		UNLESS OTHERWISE SPECIFIED, ALL DIMENSIONS ARE GIVEN IN INCHES, THIRD ANGLE PROJECTION.	
SCALE	NONE		
DRAWING NO.	00021-04		
SIZE	A		

UNLESS OTHERWISE SPECIFIED, DIMENSIONAL TOLERANCES ARE: (.X) ± (.XX) ±.03(.8) ANGLES ±		UNLESS OTHERWISE SPECIFIED, ALL DIMENSIONS ARE GIVEN IN INCHES, THIRD ANGLE PROJECTION.	
SCALE	NONE		
DRAWING NO.	00021-04		
SIZE	A		
DRAWN BY	RCA	DATE	7-28-97
CHECKED BY	CEF	ECN	CHK
DESCRIPTION	ECN	CHK	SUP
REV	DATE	BY	CHK
3	11-4-98	JSP	00021-04
2	9-12-97	RCA	00021-04
1	8-26-97	JBA	00021-04
R	7-28-97	RCA	00021-04
DESCRIPTION: RELEASED TO PRODUCTION.			

D. PART DID WEIGH 122.0 g/10 PCS, C. MATERIAL WAS ABS/PC, NOW IS JUST ABS.			
B. REV'D TITLE WAS MINI-COM DECORA FRAME TWO POSITION.			
A. REV'D # OF PIECES: WAS 100.			

PANDUIT			
"GFCI" MODULE FRAME TWO POSITION (CFG2**)			
CUSTOMER DRAWING			