

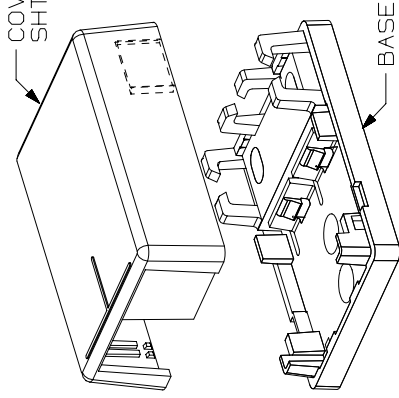
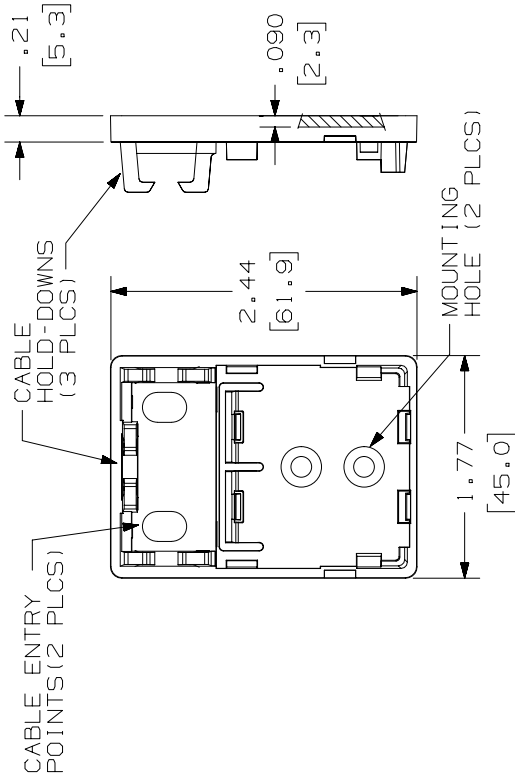
THIS COPY IS PROVIDED ON A RESTRICTED BASIS AND IS NOT TO BE USED IN ANY WAY DETRIMENTAL TO THE INTERESTS OF PANDUIT CORP.

NO WARRANTY, EXPRESSED OR IMPLIED, IS MADE BY PANDUIT WITH RESPECT TO ADHESIVE BOND PERFORMANCE. AMONG OTHER THINGS, THE CONDITIONS UNDER WHICH THESE MOUNTS MAY BE APPLIED AND/OR THE SURFACE TO WHICH THEY MAY BE APPLIED ARE BEYOND PANDUIT'S CONTROL.

PANDUIT P/N	WEIGHT
CBXJ2-A	5.20 LB/100 PCS (2368 g/100 PCS)

NOTES:

- SEE CURRENT CATALOG FOR ADDITIONAL PART NUMBER SUFFIXES TO INDICATE COLOR AND OR PACKAGE QUANTITY.
- SEE CATALOG FOR COMPLETE LIST OF PARTS APPLICABLE FOR USE WITH THIS PART.
- PART NUMBER: CBXJ2-A IS PROVIDED WITH ADHESIVE FOAM TAPE .04(1.0) THICK WITH PROTECTIVE LINER.
- OPTIONAL MAGNET (CBXM) ADHERES TO BOX BASE FOR MOUNTING ON METAL SURFACES.
- DIMENSIONS IN PARENTHESES ARE IN METRIC.



CAD FILENAME/LAYERS

D35089B1_CBXJ2_C_00

PANDUIT

CORP. TINLEY PARK, ILLINOIS

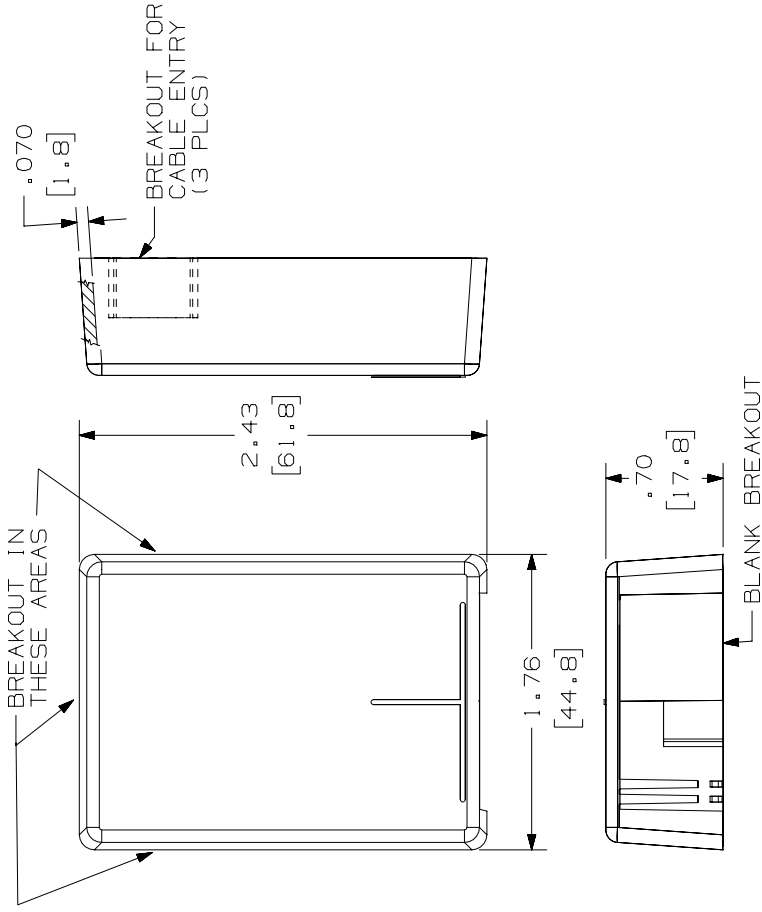
MINI-COM ONE/TWO MODULE SPACE
MOUNT BOX (CBXJ2-A) CUSTOMER DWG

UNLESS OTHERWISE SPECIFIED,
DIMENSIONAL TOLERANCES ARE:
(.X) ± (.XXX) ± .010 (.3)
(.XX) ± .03 (.8) ANGLES ±

UNLESS OTHERWISE SPECIFIED,
ALL DIMENSIONS ARE GIVEN
IN INCHES, THIRD ANGLE PROJECTION.

REV	DATE	BY	CHK	DESCRIPTION	ECN	CHK	CUST	SUP
R	10-27-95	DW		RELEASED TO PRODUCTION.	35089-03			
DRAWN BY: DW					DATE: 10-27-95		MATERIAL: ABS	
CHECKED BY:					SCALE: NONE		DRAWING NO. 35089-03	
					SHEET 1 OF 2		DWG SIZE A	

THIS COPY IS PROVIDED ON A RESTRICTED BASIS AND IS NOT TO BE USED IN ANY WAY DETRIMENTAL TO THE INTERESTS OF PANDUIT CORP.



DIMENSIONS IN PARENTHESES ARE IN METRIC.

CAD FILENAME/LAYERS

D35089B1_CBXJ2_C_00

PANDUIT

CORP. TINLEY PARK, ILLINOIS

MINI-COM ONE/TWO MODULE SPACE
MOUNT BOX (CBXJ2-A) CUSTOMER DWG

UNLESS OTHERWISE SPECIFIED,
DIMENSIONAL TOLERANCES ARE:
(.X) ± .010(.3)
(.XX) ± .03(.8) ANGLES ±

UNLESS OTHERWISE SPECIFIED,
ALL DIMENSIONS ARE GIVEN
IN INCHES, THIRD ANGLE PROJECTION.

DRAWN BY	DW	MAT'L:	NONE
DATE	10-27-95		
CHECKED BY		ABS	

SCALE	NONE
DRAWING NO.	35089-03
DWG	A
SIZE	SHT 2 OF 2

REV	DATE	BY	CHK	DESCRIPTION	ECN	CHK	CUST	SUP
R	10-27-95	DW		FOR REVISION SEE SHT 1 OF 2.	35089-03			