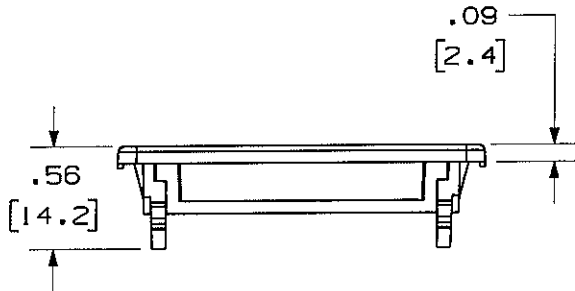
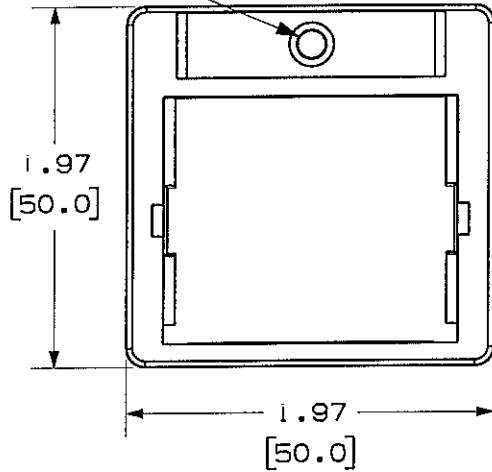


THIS COPY IS PROVIDED ON A RESTRICTED BASIS AND IS NOT TO BE USED IN ANY WAY DETRIMENTAL TO THE INTERESTS OF PANDUIT CORP.

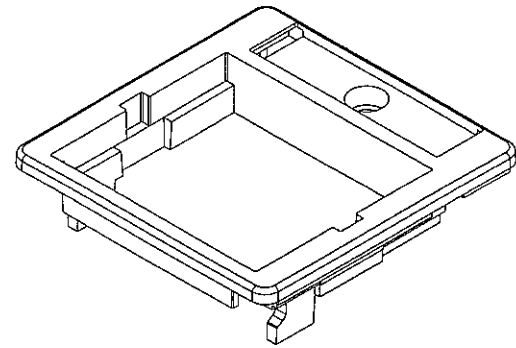
MOUNTING HOLE
FOR M3x0.5x16mm
SCREW



| PANDUIT P/N | WEIGHT |
|-------------|----------------------------------|
| CBAG**Y | .11 LB/10 PCS (49.9 g/10 PCS) |

NOTES:

- SEE CURRENT CATALOG FOR ADDITIONAL PART NUMBER SUFFIXES TO INDICATE COLOR AND OR PACKAGE QUANTITY.
- ADAPTER ACCEPTS ONE MINI-COM 1/2 SIZE INSERT. THE MINI-COM 1/2 SIZE INSERT ACCEPTS ALL MINI-COM CONNECTOR MODULES.
- MUST BE USED IN CONJUNCTION WITH PANDUIT FCFP BEZEL OR OTHER SIMILAR 80x80mm BEZEL.
- DIMENSIONS IN PARENTHESES ARE IN METRIC.
- PART INCLUDES:
 - 1- MOUNTING SCREW
 - 1- SUPPORT RING
 - 1- LABEL
 - 1- LABEL COVER



| | | | |
|------------------|--------------------------------|------|---|
| MODEL FILENAME | M00100BA_50X50_2POS_INS_00.PRT | SIZE | A |
| DRAWING FILENAME | M02479FT_DC152_00A.PRT | | |

NETWORK SYSTEMS
MAY 25 2006
ENGINEERING DEPT

GERMAN 50mm X 50mm FACEPLATE
ADAPTER CUSTOMER DRAWING

| | | |
|--|-----------------------------------|--------------------------|
| <p>PANDUITTM CORP. TINLEY PARK, ILL 60477</p> | 1:1 NUMBER | N/A |
| | PRODUCT SPEC | N/A |
| <p>THIRD ANGLE PROJECTION</p> | WORK INSTRUCTION | N/A |
| | SCALE | NONE |
| DRAWN BY JsP | MATERIAL: | PART NO. CBAG**Y |
| DATE 10-2-01 | ADAPTER- ABS SUPPORT RING- CRS | DRAWING NO. 02479-152 |

| REV | DATE | BY | CHK | DESCRIPTION | ECN | R | CUST | SUP | OTH |
|-----|---------|-----|-----|------------------------|-----------|---|------|-----|-----|
| R | 4-18-06 | JsP | M/D | RELEASED TO PRODUCTION | 02479-152 | | M/D | M/D | |