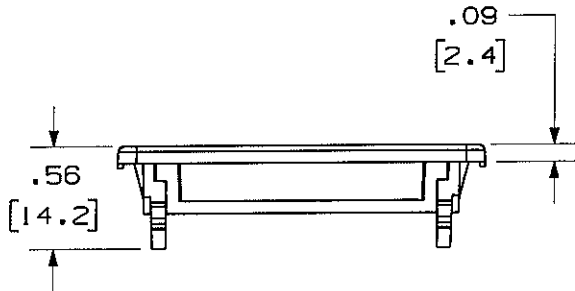
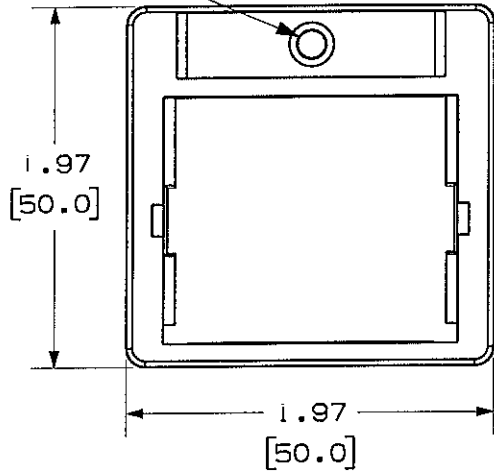


THIS COPY IS PROVIDED ON A RESTRICTED BASIS AND IS NOT TO BE USED IN ANY WAY DETRIMENTAL TO THE INTERESTS OF PANDUIT CORP.

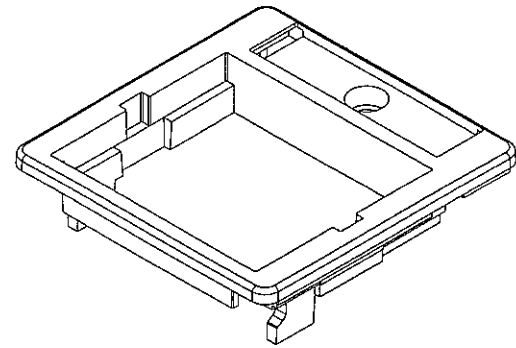
MOUNTING HOLE FOR M3x0.5x16mm SCREW



PANDUIT P/N	WEIGHT
CBAG**Y	.11 LB/10 PCS (49.9 g/10 PCS)

NOTES:

- SEE CURRENT CATALOG FOR ADDITIONAL PART NUMBER SUFFIXES TO INDICATE COLOR AND OR PACKAGE QUANTITY.
- ADAPTER ACCEPTS ONE MINI-COM 1/2 SIZE INSERT. THE MINI-COM 1/2 SIZE INSERT ACCEPTS ALL MINI-COM CONNECTOR MODULES.
- MUST BE USED IN CONJUNCTION WITH PANDUIT FCFP BEZEL OR OTHER SIMILAR 80x80mm BEZEL.
- DIMENSIONS IN PARENTHESES ARE IN METRIC.
- PART INCLUDES:
 - 1- MOUNTING SCREW
 - 1- SUPPORT RING
 - 1- LABEL
 - 1- LABEL COVER



MODEL FILENAME	M00100BA_50X50_2POS_INS_00.PRT	SIZE	A
DRAWING FILENAME	M02479FT_DC152_00A.PRT		

NETWORK SYSTEMS
MAY 25 2006
ENGINEERING DEPT

GERMAN 50mm X 50mm FACEPLATE
ADAPTER CUSTOMER DRAWING

	PANDUIT™ CORP. TINLEY PARK, ILL 60477	I.I. NUMBER	N/A
		PRODUCT SPEC	N/A

	THIRD ANGLE PROJECTION	WORK INSTRUCTION	N/A
		SCALE	NONE

DRAWN BY	JsP	MATERIAL:	ADAPTER- ABS SUPPORT RING- CRS	PART NO.	CBAG**Y
DATE	10-2-01			DRAWING NO.	02479-152

REV	DATE	BY	CHK	DESCRIPTION	ECN	R	CUST	SUP	OTH
R	4-18-06	JsP	M/D	RELEASED TO PRODUCTION	02479-152	M/D	M/D		