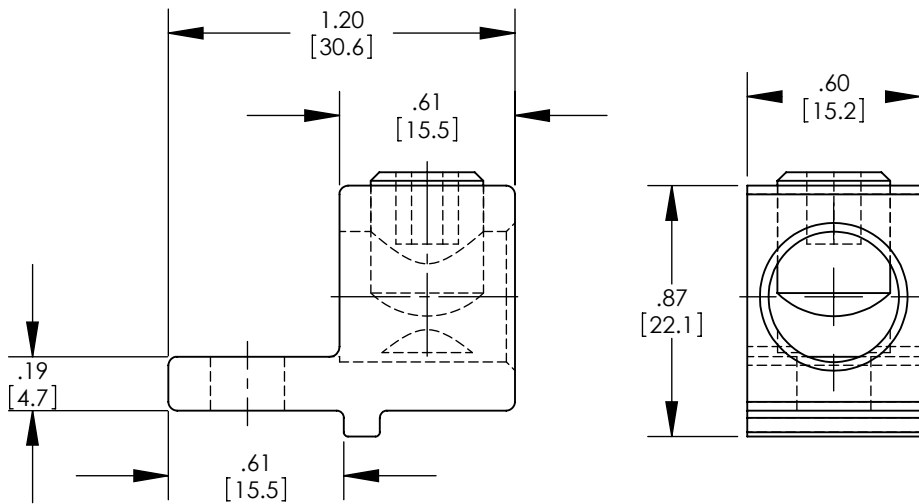
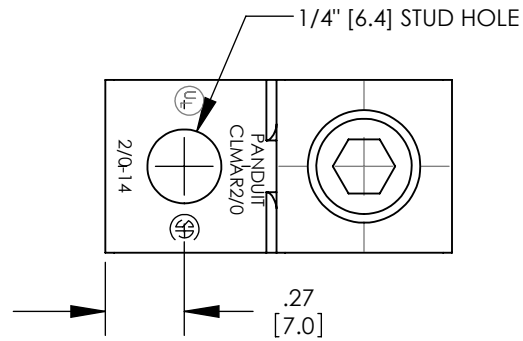


THIS COPY IS PROVIDED ON A RESTRICTED BASIS AND IS NOT TO BE USED IN ANY WAY DETRIMENTAL TO THE INTERESTS OF PANDUIT CORP.



NOTES:

1. MATERIAL: BODY - COPPER, TIN PLATED  
SCREW - STEEL, ZINC PLATED
2. DIMENSIONS IN BRACKETS ARE MILLIMETERS
3. TOLERANCES ARE  $\pm .02$  [.5] UNLESS OTHERWISE NOTED
4. SEE PACKAGE LABEL FOR TIGHTENING TORQUE INFORMATION
5. PKG QTY: -Q = 25
6. COMPATIBLE WITH PANDUIT UNIVERSAL GROUND BAR PART SERIES UGB2/0.



PART NUMBER	WIRE RANGE COPPER	WIRE STRIP LENGTH	HEX KEY
CLMAR2/0-14-Q	14 AWG - 2/0 AWG	.61 [15.5]	3/16"

REV	DATE	BY	CHK	APR	DESCRIPTION	ECN
01	2/13	JHNU	JHNU	RGB	REVISED TITLE BLOCK	10J017CF-JC
00	4/12	JHNU	JHNU	RGB	DRAWING RELEASED	10J017CF-JC

TITLE COPPER MECHANICAL ANTI-ROTATIONAL CONNECTOR (CLMAR2/0-14-Q) CUSTOMER DRAWING			
ITEM REVISION NAME 10J017CF/01		<b>PANDUIT</b>	
DATASET FILE NAME 10J017CF-JC/01.SLDDRW			
UNLESS OTHERWISE SPECIFIED, DIMENSIONAL TOLERANCES ARE: IN [mm] .X $\pm$ .XXX $\pm$ .XX $\pm$ .02 [.5] ANGLES $\pm$		MATERIAL SEE NOTES	
DRAWN BY JHNU		DATE 4/12	DRAWING NUMBER 10J017CF-JC
CHK RGB	SCALE NONE	SHEET 1 OF 1	
		SIZE A	