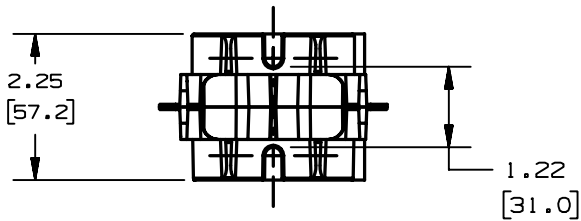


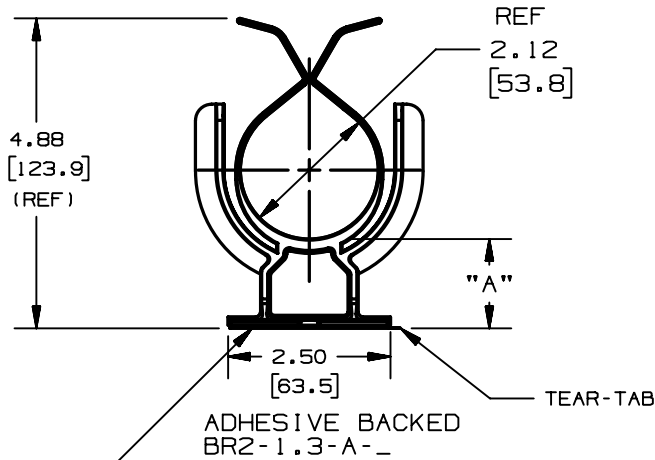
THIS COPY IS PROVIDED ON A RESTRICTED BASIS AND IS NOT TO BE USED IN ANY WAY DETRIMENTAL TO THE INTERESTS OF PANDUIT CORP.



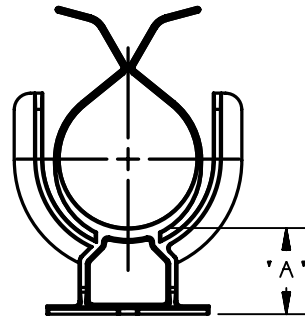
PRODUCT ACCEPTS
1/4" OR M6
MOUNTING SCREWS.

PANDUIT PART NUMBER *	"A" IN. / [mm]	WEIGHT	MAXIMUM CABLE DIA. IN. [mm]	RECM'D FASTNER
		lbs. / 10 pcs [g] / 10 pcs		
BR2-1.3-A--	1.35 [34.3]	1.36 [617]	2.00 [50.8]	1/4" OR 6mm
BR2-1.3--	1.32 [33.5]	1.34 [607]		

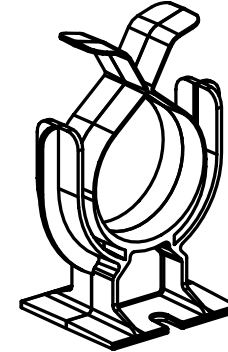
NO WARRANTY, EXPRESSED OR IMPLIED, IS MADE BY PANDUIT WITH RESPECT TO ADHESIVE BOND PERFORMANCE. AMONG OTHER THINGS, THE CONDITIONS UNDER WHICH THESE MOUNTS MAY BE APPLIED AND/OR THE SURFACE TO WHICH THEY MAY BE APPLIED ARE BEYOND PANDUIT'S CONTROL.



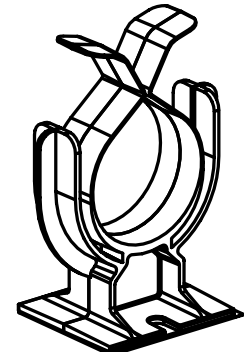
ADHESIVE BACKED
BR2-1.3-A--



SCREW APPLIED
BR2-1.3--



SCREW APPLIED
BR2-1.3--



ADHESIVE BACKED
BR2-1.3-A--

ADHESIVE BACKING: RUBBER BASED ADHESIVE PRESSURE SENSITIVE FOAM TAPE 0.04 [1.0] THICK WITH A PROTECTIVE LINER. MOUNT IS DESIGNED TO SUPPORT 2.0 lbs. [907g] MAX. WEIGHT ON A CLEAN DRY SMOOTH SURFACE.

DIMENSIONS IN BRACKETS ARE METRIC [mm]

CAD FILENAME/LAYERS G02140BB_PB_BR2A_04

PANDUIT CORP.

TINLEY PARK, ILLINOIS

2 IN. BUNDLE RETAINER
[BR2-1.3-_-_-]

UNLESS OTHERWISE SPECIFIED,
DIMENSIONAL TOLERANCES ARE:
(.X) ±0.05 (1.31) (.XXX) ±0.010 (0.25)
(.XX) ±0.02 (0.5) ANGLES ± 5°

UNLESS OTHERWISE SPECIFIED,
ALL DIMENSIONS ARE GIVEN
IN INCHES, THIRD ANGLE PROJECTION.

DRAWN BY JAD

MAT'L:

BLACK
NYLON 6/6

SCALE NONE

DATE

12-4-98

DRAWING NO.

GB2140BB

QMS

A
SIZE

REV	DATE	BY	CHK	DESCRIPTION	ECN - R	CUST	SUP
4	7/21/03	JAD		REVISED MATERIAL	GB2140BB	4	