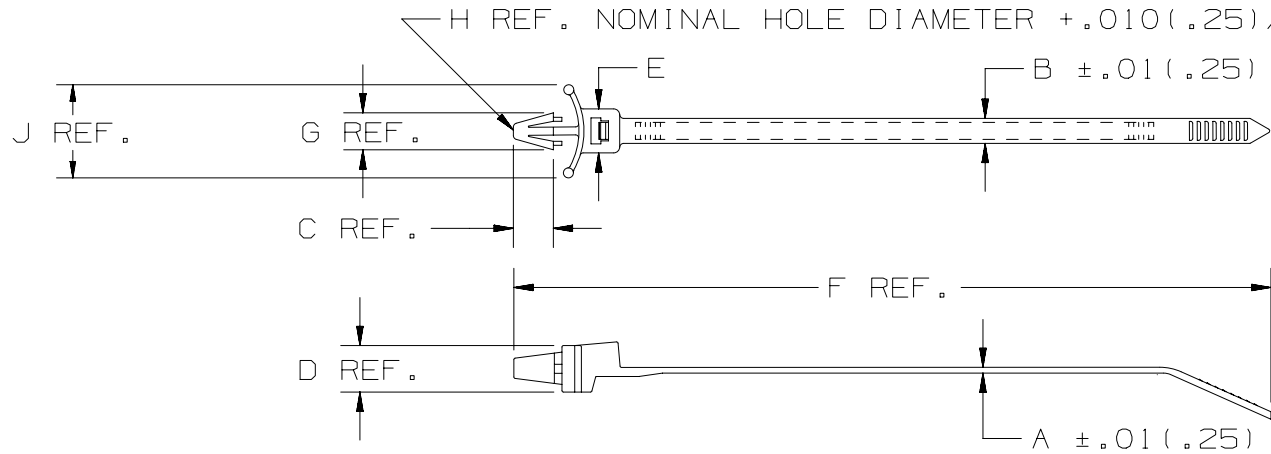


THIS COPY IS PROVIDED ON A RESTRICTED BASIS AND IS NOT TO BE USED IN ANY WAY DETRIMENTAL TO THE INTERESTS OF PANDUIT CORP.



PANDUIT PART NO.	BUNDLE DIAMETER		A	B	REF. C	REF. D	E	REF. F	REF. G	REF. H	REF. J	MAX PANEL THICKNESS in (mm)	MIN. LOOP TENSILE lbs (N)	CROSS SECTION	WEIGHT 100 pcs. lbs (g)
	MIN. in (mm)	MAX. in (mm)													
PLWP1M	.06 (1.5)	.87 (22.1)	.044 (1.1)	.098 (2.5)	.230 (5.8)	.220 (5.6)	.180 (4.6)	4.3 (109)	.240 (6.1)	.187 (4.7)	.53 (13.5)	.093 (2.4)	18 (80)	MINIATURE	.11 (50)
PLWP1.5I	.06 (1.5)	1.25 (31.8)	.045 (1.2)	.135 (3.4)	.230 (5.8)	.280 (7.1)	.240 (6.1)	6.0 (152)	.240 (6.1)	.187 (4.7)	.450 (11.4)	.093 (2.4)	40 (178)	INTERMEDIATE	.17 (77)
PLWP1S	.06 (1.5)	1.00 (25.4)	.052 (1.3)	.190 (4.8)	.300 (7.6)	.370 (9.4)	.316 (8.0)	5.2 (132)	.330 (8.4)	.250 (6.4)	.74 (18.8)	.105 (2.7)	50 (222)	STANDARD	.29 (132)
PLWP1.5S	.06 (1.5)	1.50 (38.1)	.052 (1.3)	.190 (4.8)	.300 (7.6)	.370 (9.4)	.316 (8.0)	6.8 (173)	.330 (8.4)	.250 (6.4)	.74 (18.8)	.105 (2.7)	50 (222)	STANDARD	.34 (154)
PLWP2S	.06 (1.5)	1.75 (44.5)	.052 (1.3)	.190 (4.8)	.300 (7.6)	.370 (9.4)	.316 (8.0)	7.8 (198)	.330 (8.4)	.250 (6.4)	.74 (18.8)	.105 (2.7)	50 (222)	STANDARD	.37 (168)

NOTES:

1. RECOGNIZED UNDER THE COMPONENT PROGRAM OF UNDERWRITERS LABORATORIES INC.

DIMENSIONS IN PARENTHESES ARE IN METRIC UNITS

REV	DATE	BY	CHK	APR	DESCRIPTION	ECN	TITLE	MATERIAL:	DRAWING NUMBER:	SIZE
							LOCKING WING PUSH MOUNT TIE - PLWP SERIES	NYLON 6.6	SS-17564	A
							CUSTOMER DRAWING			
							ITEM REVISION NAME			
							W10001BI/01			
							DATASET FILE NAME			
							W10001BI/01-SS_17564_REV14			
							UNLESS OTHERWISE SPECIFIED, DIMENSIONAL TOLERANCES ARE: IN [ mm ]			
							.x ± .1 (2.5)	.xxx ± .020 (.51)		
							.xx ± .02 (.5)	ANGLES ± - - - - -		
							THIRD ANGLE PROJECTION			
							UPDATED TITLE BORDER.			
14	11/25/13	BWG	JADE	JADE	REVISED REF. NOTES. SEE ECN FOR COMPLETE DETAILS.	SS-17564/14				
							DRAWN BY	DATE	CHK	SCALE
							C.HARVELL	05/26/92	HVP	NONE
										SHT 1 OF 1

D10100DA/16