

THIS COPY IS PROVIDED ON A RESTRICTED BASIS AND IS NOT TO BE USED IN ANY WAY DETRIMENTAL TO THE INTERESTS OF PANDUIT CORP.

PANDUIT PART NUMBER	STUD SIZE	DIMENSIONS in.				
		A ±.030	W ±.010	C ±.020	M ±.030	H ±.005
PNF14-6FF-3K	#6	.80 (20.32)	.28 (7.11)	.19 (4.83)	.64 (16.26)	.160 (4.06)
PNF14-8FF-3K	#8	.87 (22.09)	.31 (7.87)	.23 (5.84)	.68 (17.27)	.173 (4.39)
PNF14-10FF-3K	#10	.87 (22.09)	.35 (8.89)	.23 (5.84)	.68 (17.27)	.198 (5.03)

NOTES :

- UL LISTED AND CSA CERTIFIED FOR :
  - 600 V MAX. VOLTAGE RATING
  - 221°F (105°C) MAX. TEMP. RATING
  - #16-14 AWG (1.3-2.0 mm) SOLID OR STRANDED, COPPER WIRE
- PACKAGE QTY. : 3K = 3000 PCS.  
CONTINUOUS MOLDED CARRIER STRIP
- MATERIAL :
  - STAMPING - .03" THK COPPER, TIN PLATED
  - HOUSING - BLUE NYLON
  - SLEEVE - BRASS, TIN PLATED
- DIMENSIONS IN BRACKETS ARE IN MILLIMETERS
- INSTALLATION TOOLS :
  - PRESSES - CP-851, CP-860, CP-861
  - APPLICATOR - CA-800
  - DIE INSERTS - CD-800-2

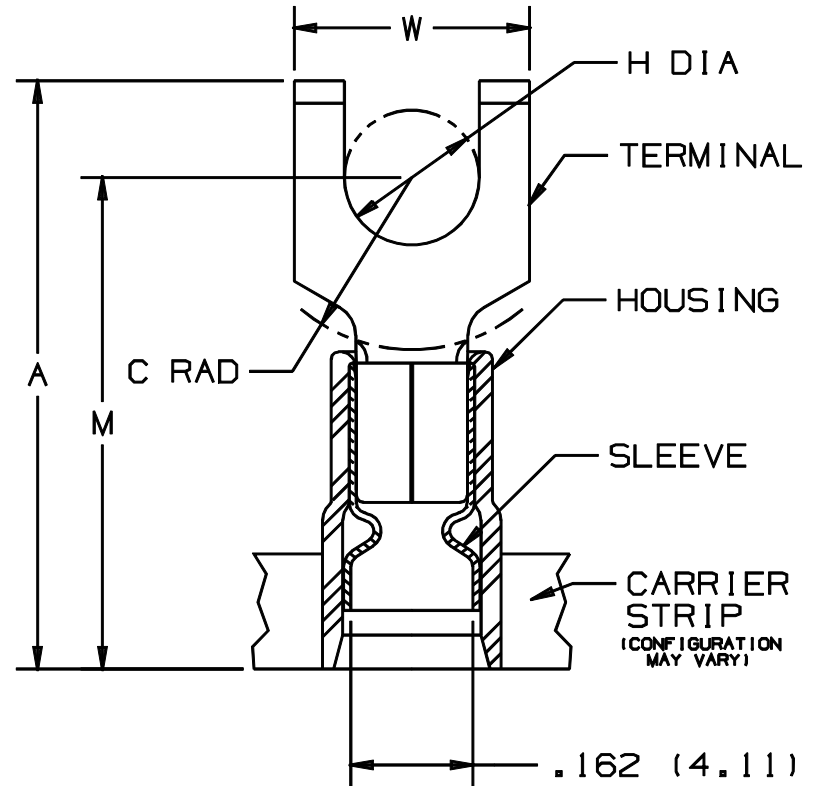
6. WIRE STRIP LENGTH  $1/4^{+1/32}_{-0}$  (6.4<sup>+0.8</sup><sub>-0</sub>)



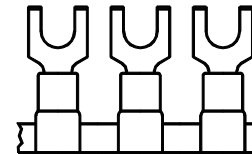
LISTED  
587H  
E52164



CERTIFIED  
LR31212



MAX WIRE  
INSUL DIA  
.162 (4.11)  
MIN. WIRE  
INSUL. DIA.  
.080 (2.03)



07	11/01	SAB		THE TOLERANCE FOR DIM H WAS ±.010, UPDATED H DIMENSIONS TO CORRESPOND WITH TOLERANCE CHANGE			
06	10/01	SAB	SKB	DIM H FOR PNF14-6FF-3K WAS .15, (3.81)	09707	BAD	JAC
05	12/00	ED	SKB	FILESPEC WAS: N41137AA_PCD_04	08925	CCH	JAC
04	1/97	JAMB		ADDED DIM., "MIN. WIRE INSULATION DIA."	05407		
03	9/96	TSM	RLS	REVISED DIMS., TOLERANCES, ADD NOTE #6	05070	DBH	LA
REV	DATE	BY	CHK	DESCRIPTION	ECN	PM	CUST

A41137\_07

**PANDUIT** CORP.

TINLEY PARK, ILLINOIS

TERMO 3PC, CONTINUOUSLY MOLDED NYLON (FUNNEL)  
INSULATED, 16-14 BARREL, FLANGED FORKS

DRAWN BY GRM    CHK'D FS    SCALE NONE    DRAWING NO A41137