

## 2.5V/3.3V, High Bandwidth, Hot Insertion 32-Bit, 2-Port, Bus Switch

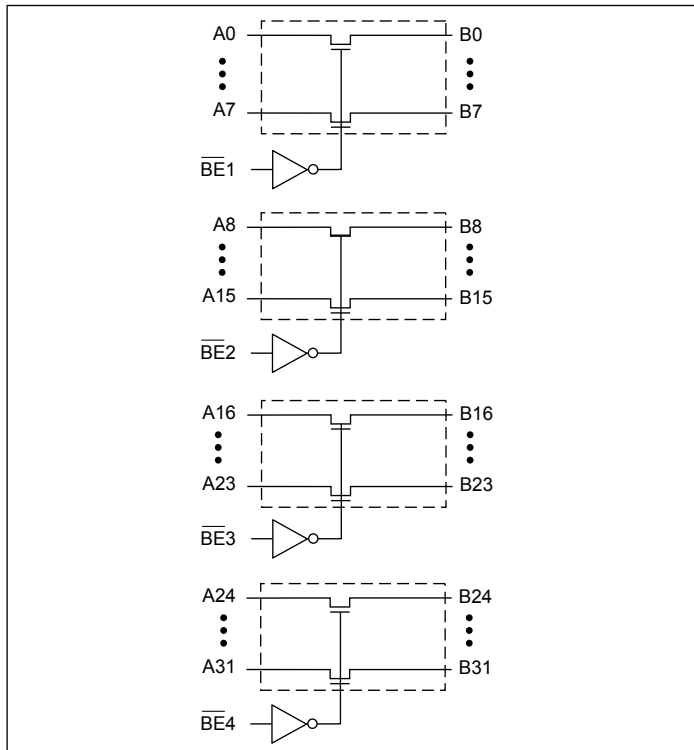
### Features

- Near-Zero propagation delay
- 5-ohm switches connect inputs to outputs
- 2.5V Supply Voltage Operation
- Permits Hot Insertion
- Capable of Hot-Swapping
- 5V I/O Tolerant
- High Bandwidth Operation (>400 MHz)
- Packaging (Pb-free & Green):
  - 80-pin 150-mil wide plastic BQSOP (B)

### Description

Pericom Semiconductor's PI3C34X245 is a 2.5V or 3.3V, 32-bit, 2-port bus switch designed with a low On-Resistance (5-ohms) allowing inputs to be connected directly to outputs. The bus switch creates no additional propagational delay or additional ground bounce noise. The switches are turned ON by the Bus Enable ( $\overline{BE}$ ) input signal. It is very useful in switching signals that have high bandwidth (>400 MHz).

### Block Diagram



### Pin Description

Pin Name	Description
$\overline{BE}n$	Bus Enable Input (Active LOW)
A0 – A31	Bus A
B0 – B31	Bus B

### Pin Configuration

NC	1	80	VCC
A0	2	79	$\overline{BE}1$
A1	3	78	B0
A2	4	77	B1
A3	5	76	B2
A4	6	75	B3
A5	7	74	B4
A6	8	73	B5
A7	9	72	B6
GND	10	71	B7
NC	11	70	VCC
A8	12	69	$\overline{BE}2$
A9	13	68	B8
A10	14	67	B9
A11	15	66	B10
A12	16	65	B11
A13	17	64	B12
A14	18	63	B13
A15	19	62	B14
GND	20	61	B15
NC	21	60	VCC
A16	22	59	$\overline{BE}3$
A17	23	58	B16
A18	24	57	B17
A19	25	56	B18
A20	26	55	B19
A21	27	54	B20
A22	28	53	B21
A23	29	52	B22
GND	30	51	B23
NC	31	50	VCC
A24	32	49	$\overline{BE}4$
A25	33	48	B24
A26	34	47	B25
A27	35	46	B26
A28	36	45	B27
A29	37	44	B28
A30	38	43	B29
A31	39	42	B30
GND	40	41	B31

### Absolute Maximum Ratings

Parameter	Min.	Max.	Units
Storage Temperature	-65	150	°C
Ambient Temperature with Power Applied	-40	85	°C
Supply Voltage to Ground Potential	-0.5	4.6	V
DC Input Voltage	-0.5	5.5	V
DC Output Current	-	120	mA
Power Dissipation	-	0.5	W

Stress beyond those listed under “Absolute Maximum Ratings” may cause permanent damage to the device.

### DC Electrical Characteristics (Over the Operating Range, $T_A = -40^{\circ}\text{C}$ to $+85^{\circ}\text{C}$ , $V_{CC} = 3.3\text{V} \pm 10\%$ )

Parameters	Description	Test Conditions <sup>(1)</sup>	Min	Typ <sup>(2)</sup>	Max	Units
$V_{IH}$	Input HIGH Voltage	Guaranteed Logic HIGH Level	2.0			V
$V_{IL}$	Input LOW Voltage	Guaranteed Logic LOW Level	-0.5		0.8	V
$I_{IH}$	Input HIGH Current	$V_{CC} = \text{Max.}, V_{IN} = V_{CC}$			$\pm 1$	$\mu\text{A}$
$I_{IL}$	Input LOW Current	$V_{CC} = \text{Max.}, V_{IN} = \text{GND}$			$\pm 1$	
$I_{OZH}$	High Impedance Output Current	$0 \leq A, B \leq V_{CC}$			$\pm 1$	
$V_{IK}$	Clamp Diode Voltage	$V_{CC} = \text{Min.}, I_{IN} = -18 \text{ mA}$		-0.73	-1.2	V
$R_{ON}$	Switch On Resistance <sup>(3)</sup>	$V_{CC} = \text{Min.}, V_{IN} = 0.0\text{V}, I_{ON} = 48\text{mA}$		5	7	$\Omega$
		$V_{CC} = \text{Min.}, V_{IN} = 2.4\text{V}, I_{ON} = 15\text{mA}$		8	15	

### Capacitance ( $T_A = 25^{\circ}\text{C}$ , $f = 1 \text{ MHz}$ )

Parameters <sup>(4)</sup>	Description	Test Conditions	Typ	Units
$C_{IN}$	Input Capacitance	$V_{IN} = 0\text{V}$	3.5	pF
$C_{OFF}$	A/B Capacitance, Switch Off		5.0	pF
$C_{ON}$	A/B Capacitance, Switch On		10.0	pF

Notes:

- For Max. or Min. conditions, use appropriate value specified under Electrical Characteristics for the applicable device type.
- Typical values are at  $V_{CC} = 3.3\text{V}$ ,  $T_A = 25^{\circ}\text{C}$  ambient and maximum loading.
- Measured by the voltage drop between A and B pin at indicated current through the switch. ON resistance is determined by the lower of the voltages on the two (A,B) pins.
- This parameter is determined by device characterization but is not production tested.

### Power Supply Characteristics

Parameters	Description	Test Conditions <sup>(1)</sup>		Min	Typ <sup>(2)</sup>	Max	Units
I <sub>CC</sub>	Quiescent Power Supply Current	V <sub>CC</sub> = Max.	V <sub>IN</sub> = GND or V <sub>CC</sub>		1.0	2.0	mA
ΔI <sub>CC</sub>	Supply Current per Input HIGH		V <sub>IN</sub> = 3.0V <sup>(3)</sup>			2.5	

Notes:

- For Max. or Min. conditions, use appropriate value specified under Electrical Characteristics for the applicable device.
- Typical values are at V<sub>CC</sub> = 3.3V, +25°C ambient.
- Per driven input (control input only); A and B pins do not contribute to ΔI<sub>CC</sub>.

### Switching Characteristics over 3.3V Operating Range

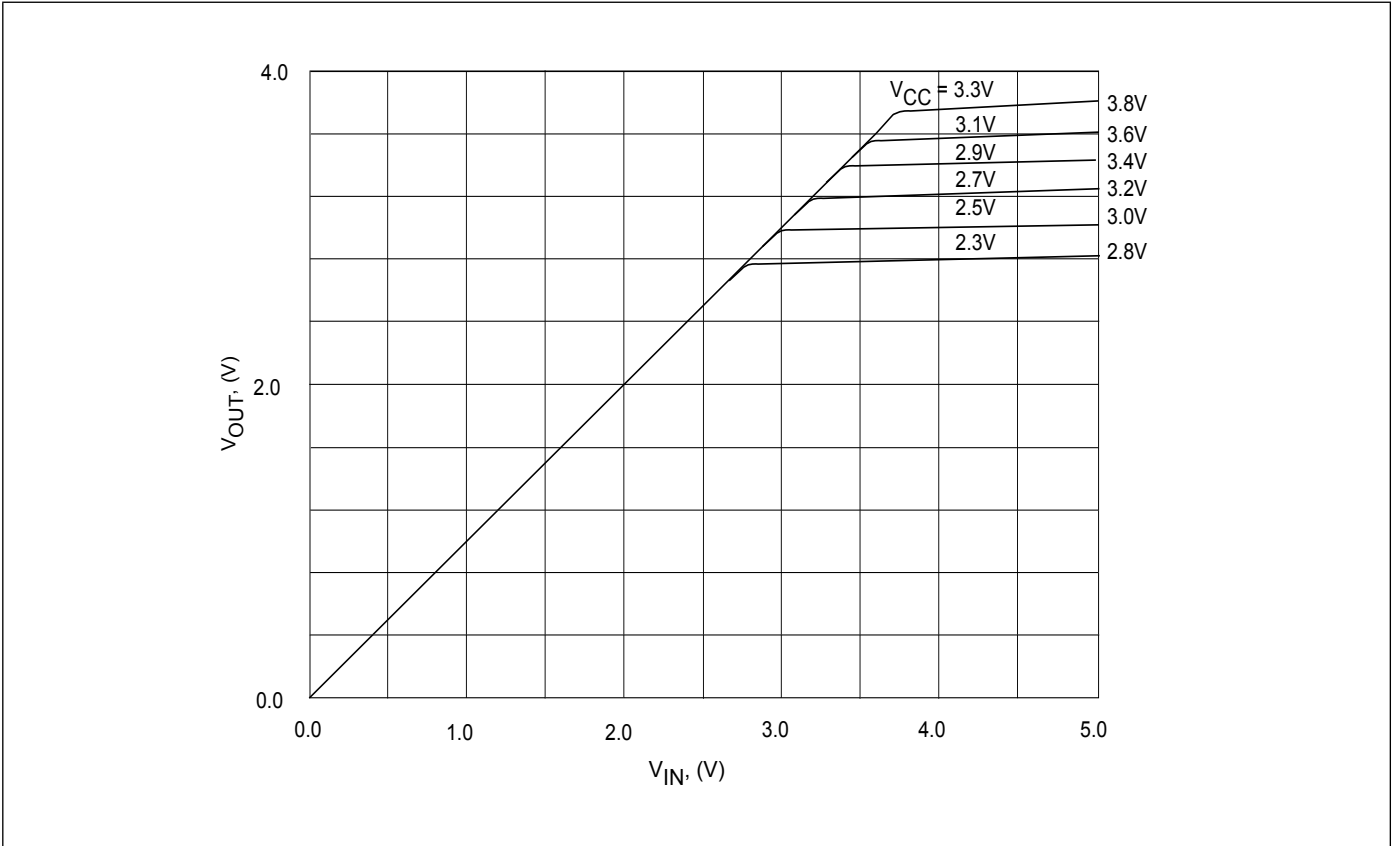
Parameters	Description	Test Conditions <sup>(1)</sup>	Com.		Units
			Min	Max	
t <sub>PLH</sub> t <sub>PHL</sub>	Propagation Delay <sup>(2,3)</sup> Ax to Bx	C <sub>L</sub> = 50 pF R <sub>L</sub> = 500Ω		0.25	ns
t <sub>PZH</sub> t <sub>PZL</sub>	Bus Enable Time $\overline{BE}$ to Ax or Bx	C <sub>L</sub> = 50 pF R <sub>L</sub> = 500Ω	1.5	6.5	
t <sub>PHZ</sub> t <sub>PLZ</sub>	Bus Disable Time $\overline{BE}$ to Ax or Bx	R = 500Ω	1.5	5.5	

### Switching Characteristics over 2.5V Operating Range

Parameters	Description	Test Conditions <sup>(1)</sup>	Com.		Units
			Min	Max	
t <sub>PLH</sub> t <sub>PHL</sub>	Propagation Delay <sup>(2,3)</sup> Ax to Bx	C <sub>L</sub> = 50 pF R <sub>L</sub> = 500Ω		0.25	ns
t <sub>PZH</sub> t <sub>PZL</sub>	Bus Enable Time $\overline{BE}$ to Ax or Bx	C <sub>L</sub> = 50 pF R <sub>L</sub> = 500Ω	1.5	9.8	
t <sub>PHZ</sub> t <sub>PLZ</sub>	Bus Disable Time $\overline{BE}$ to Ax or Bx	R = 500Ω	1.5	8.3	

Notes:

- See test circuit and waveforms.
- This parameter is guaranteed but not tested on Propagation Delays.
- The bus switch contributes no propagational delay other than the RC delay of the On-Resistance of the switch and the load capacitance. The time constant for the switch alone is of the order of 0.25 ns for 50 pF load. Since this time constant is much smaller than the rise/fall times of typical driving signals, it adds very little propagational delay to the system. Propagation delay of the bus switch when used in a system is determined by the driving circuit on the driving side of the switch and its interaction with the load on the driven side.

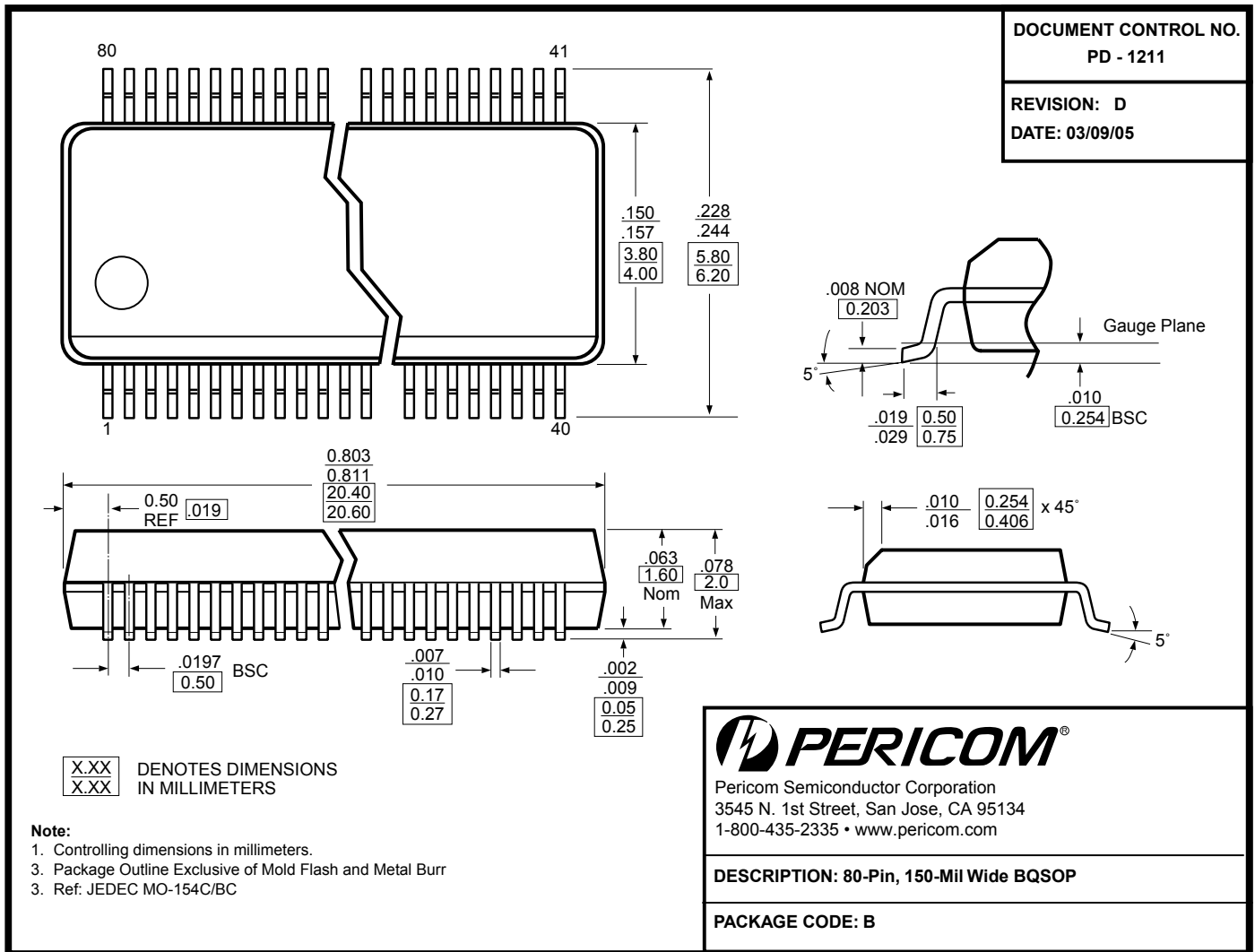


**Output Voltage vs. Input Voltage over Various Supply Voltages**

**Packaging Mechanical: 80-pin BQSOP (B)**

DOCUMENT CONTROL NO.  
 PD - 1211

REVISION: D  
 DATE: 03/09/05



X.XX DENOTES DIMENSIONS  
 IN MILLIMETERS

- Note:**
1. Controlling dimensions in millimeters.
  2. Package Outline Exclusive of Mold Flash and Metal Burr
  3. Ref: JEDEC MO-154C/BC

**Ordering Information**

Ordering Code	Package Code	Package Type
PI3C34X245BE	B	Pb-free & Green, 80-pin BQSOP

1. Thermal characteristics can be found on the company web site at : <http://www.pericom.com/support/packaging/packaging-mechanicals-and-thermal-characteristics/>
2. "E" denotes Pb-free and Green
3. Adding an "X" at the end of the ordering code denotes tape and reel packaging