



# PSE Technology Corporation

## SPECIFICATION FOR APPROVAL

CUSTOMER \_\_\_\_\_

NOMINAL FREQUENCY 48.000000 MHz

PRODUCT TYPE TYPE HX 2.5x2.0 SEAM SEALED CRYSTAL CLOCK OSCILLATOR

SPEC. NO. ( P/N ) HX21480001

CUSTOMER P/N \_\_\_\_\_

ISSUE DATE March 30, 2015

VERSION A

| APPROVED                                       | PREPARED | QA         |
|--|----------|------------|
|  |          |            |
| APPROVED BY CUSTOMER :                         |          | AVL Status |
| Please return one copy with approval to PSE-TW |          |            |

### PSE Technology Corporation

No.2, Tzu-Chiang 5th Rd, Chung Li Industrial Park,  
 Chung Li City, Taoyuan County, Taiwan (R.O.C.)  
 TEL: 886-3-451-8888  
 FAX: 886-3-461-3865  
<http://www.saronix-ecera.com.tw>

- \*Pb-free
- \*RoHS Compliant
- \*HF-Halogen Free
- \*REACH Compliant

\*\*\* A company of PERICOM Semiconductor Corporation \*\*\*

**TYPE HX 2.5x2.0 SEAM SEALED CRYSTAL CLOCK OSCILLATOR**

***HX21480001***

VER. A    30-Mar-15

**VERSION HISTORY**

| Version No. | Version Date | Customer Receipt Date | Supplier Receipt Date | Description     | Notes |
|-------------|--------------|-----------------------|-----------------------|-----------------|-------|
| A           | Mar.30,2015  |                       |                       | Initial Release |       |
|             |              |                       |                       |                 |       |
|             |              |                       |                       |                 |       |
|             |              |                       |                       |                 |       |
|             |              |                       |                       |                 |       |
|             |              |                       |                       |                 |       |
|             |              |                       |                       |                 |       |
|             |              |                       |                       |                 |       |
|             |              |                       |                       |                 |       |
|             |              |                       |                       |                 |       |
|             |              |                       |                       |                 |       |
|             |              |                       |                       |                 |       |
|             |              |                       |                       |                 |       |
|             |              |                       |                       |                 |       |
|             |              |                       |                       |                 |       |
|             |              |                       |                       |                 |       |
|             |              |                       |                       |                 |       |
|             |              |                       |                       |                 |       |
|             |              |                       |                       |                 |       |
|             |              |                       |                       |                 |       |
|             |              |                       |                       |                 |       |
|             |              |                       |                       |                 |       |
|             |              |                       |                       |                 |       |
|             |              |                       |                       |                 |       |



# TYPE HX 2.5x2.0 SEAM SEALED CRYSTAL CLOCK OSCILLATOR

## HX21480001

VER. A 30-Mar-15

### ELECTRICAL SPECIFICATIONS

SRe Part Number : HX21480001

| Item                            | Symbol                         | Specifications      | Units | Notes                              |
|---------------------------------|--------------------------------|---------------------|-------|------------------------------------|
| Nominal Frequency               | Fo                             | 48.000000           | MHz   |                                    |
| Frequency Stability             | FT                             | ± 50                | ppm   | **See note                         |
| Operating Temperature Range     | TR                             | -40 to +105         | °C    |                                    |
| Supply Voltage                  | V <sub>DD</sub>                | +1.6 to +3.6        | V     | at +2.5V Typ.                      |
| Logic Type                      | LT                             | LVC MOS             |       |                                    |
| Supply Current, Output Enabled  | I <sub>DD</sub> /OE            | 20                  | mA    | Max                                |
| Supply Current, Output Disabled | I <sub>DD</sub> /OD            | 100                 | µA    | Max                                |
| Duty Cycle (Symmetry)           | DC/SY                          | 45 / 55             | %     | Measured 50% of Waveform           |
| Rise / Fall Time                | T <sub>R</sub> /T <sub>F</sub> | 8                   | ns    | Max. measured 20 / 80% of Waveform |
| Output Voltage "0" Level        | V <sub>OL</sub>                | 10% V <sub>DD</sub> | V     | Max                                |
| Output Voltage "1" Level        | V <sub>OH</sub>                | 90% V <sub>DD</sub> | V     | Min                                |
| Output Load                     | CL                             | 15                  | pF    | Max                                |
| Jitter, Phase                   | RMS                            | 1                   | ps    | Max. 12KHz ~ 20MHz Frequency Band  |
| Jitter, Accumulated             | RMS(1-σ)                       | 4                   | ps    | Max. 20,000 Consecutive Periods    |
| Jitter, Peak to Peak            | Pk-Pk                          | 40                  | ps    | Max. 100,000 Random Periods        |
| Storage Temperature Range       |                                | -55 to +125         | °C    |                                    |

※ This product doesn't include harmful substance that stipulated by SONY SS-00259 Level 1 and S-AT2-001 Level 1 standard. RoHS Compliant (Pb - Free).

\*\*Stability includes all combinations of Operating Temperature, Load changes, rated Input (Supply) Voltage changes, Initial Calibration Tolerance (25°C), Aging (1 year at 25°C Average Effective Ambient Temperature), Shock and Vibration.

#### Output Enable / Disable Function

| Parameter  | Min.               | Typ. | Max.               | Units | Notes          |
|--|--------------------|------|--------------------|-------|----------------|
| Input Voltage (Pin1), Output Enable                      | 0.7V <sub>DD</sub> |      |                    | V     | Or Open        |
| Input Voltage (Pin1), Output Disable (low power standby) |                    |      | 0.3V <sub>DD</sub> | V     | Output is Hi-Z |
| Output Disable Delay                                     |                    |      | 200                | ns    |                |
| Output Enable Delay                                      |                    |      | 10                 | ms    |                |
| Start Up Time  |                    |      | 10                 | ms    |                |

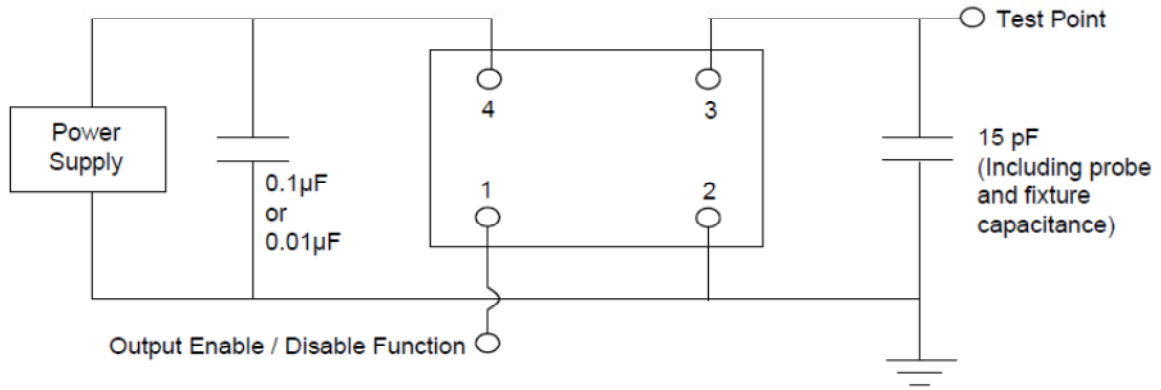


# TYPE HX 2.5x2.0 SEAM SEALED CRYSTAL CLOCK OSCILLATOR

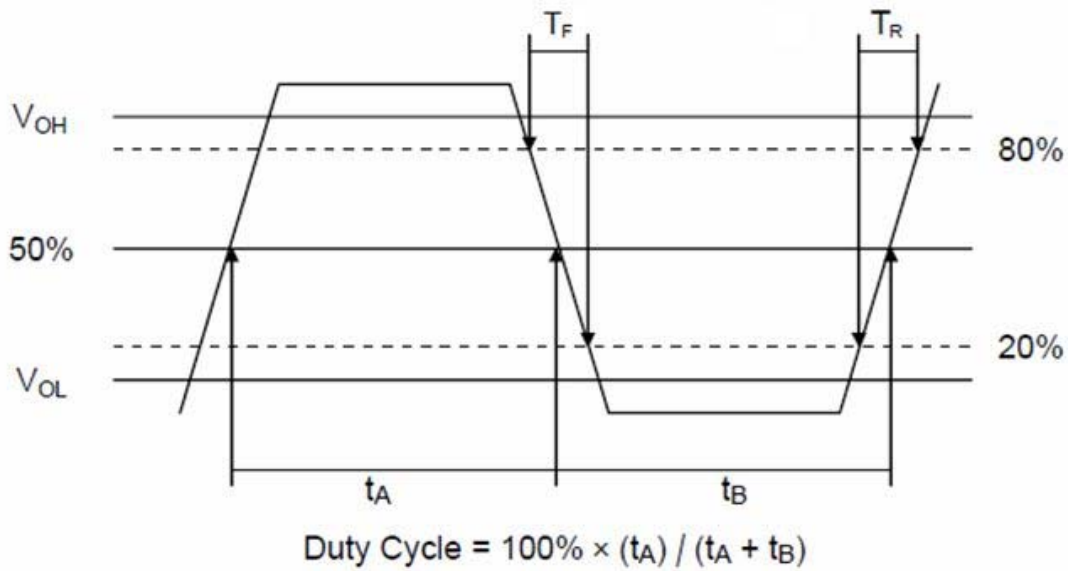
**HX21480001**

VER. A 30-Mar-15

## TEST CIRCUIT



## OUTPUT WAVEFORM



# TYPE HX 2.5x2.0 SEAM SEALED CRYSTAL CLOCK OSCILLATOR

**HX21480001**

VER. A 30-Mar-15

## RELIABILITY SPECIFICATIONS

### ENVIRONMENTAL:

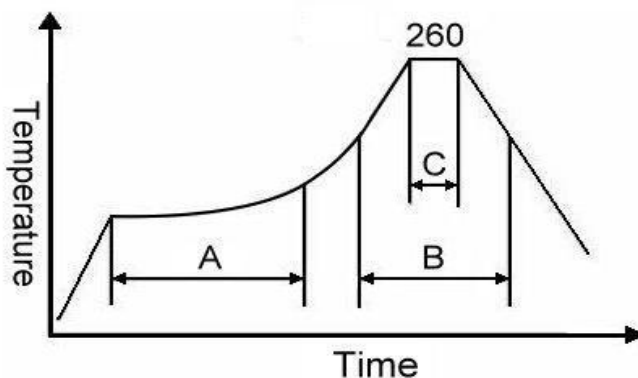
- a) THERMAL SHOCK: MIL-STD-883, Method 1011, Condition A
- b) MOISTURE RESISTANCE: MIL-STD-883, Method 1004
- c) VIBRATION: MIL-STD-883, Method 2007, Condition A
- d) RESISTANCE TO SOLDERING HEAT: J-STD-020D Table 5-2 Pb-free devices (except 2 cycles max)
- e) HAZARDOUS SUBSTANCE: Pb - free and RoHS/Green Compliant.

### MECHANICAL:

- a) SHOCK: MIL-STD-883, Method 2002, Condition B
- b) SOLDERABILITY: JESD22-B102-D Method 2 (Preconditioning E)
- c) TERMINAL STRENGTH: MIL-STD-883, Method 2004, Test Condition D
- d) GROSS LEAK: MIL-STD-883, Method 1014, Condition C
- e) FINE LEAK: MIL-STD-883, Method 1014, Condition A2,  $R1=2 \times 10^{-8}$  atm cc/s
- f) SOLVENT RESISTANCE: MIL-STD-202, Method 215

## SUGGESTED IR REFLOW PROFILE

\*As per IPC-JEDEC J-STD-020D



Note:

|   | Stage        | Temperature | Time       |
|---|--------------|-------------|------------|
| A | Preheat      | 150~200°C   | 60~120 Sec |
| B | Primary Heat | 217°C       | 60~150 Sec |
| C | Peak         | 260°C       | 10 Sec     |

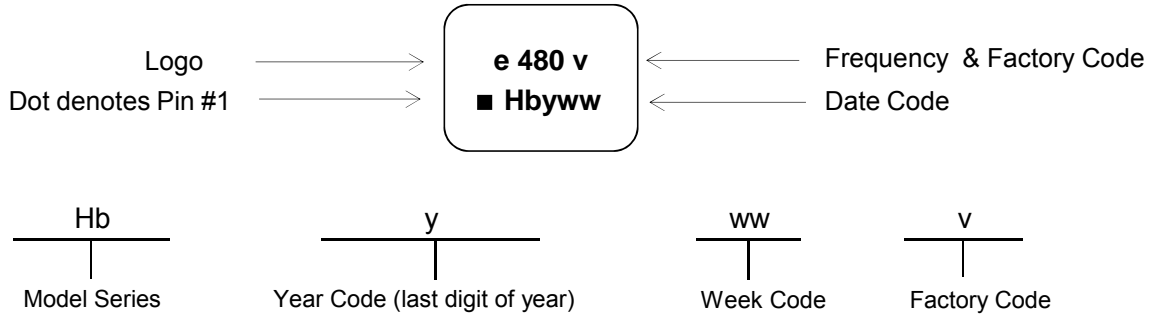
For soldering reflow profile and reliability test ratings go to: <http://www.pericom.com/pdf/sre/reflow.pdf>

# TYPE HX 2.5x2.0 SEAM SEALED CRYSTAL CLOCK OSCILLATOR

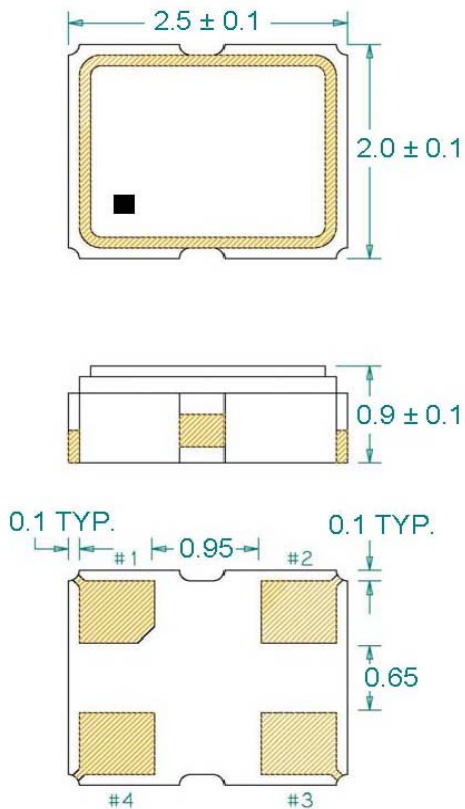
**HX21480001**

VER. A 30-Mar-15

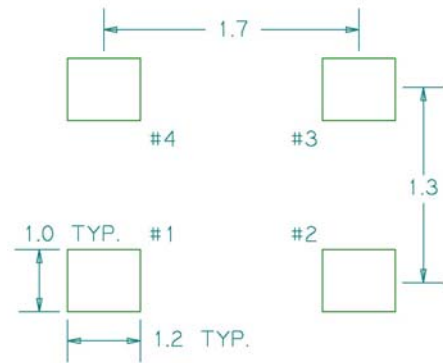
## MARKING



## MECHANICAL DRAWINGS ( Scale:None. Dimensions are in mm.)



### Recommended Land Pattern\*



\*External high-frequency power decoupling is recommended. (see test circuit for minimum recommendation). To ensure optimal performance, do not route traces beneath the package.

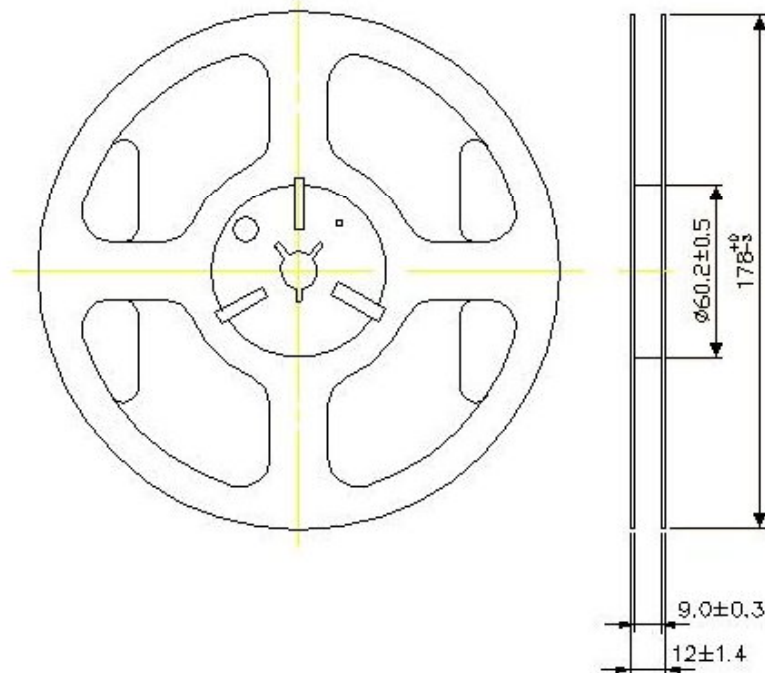
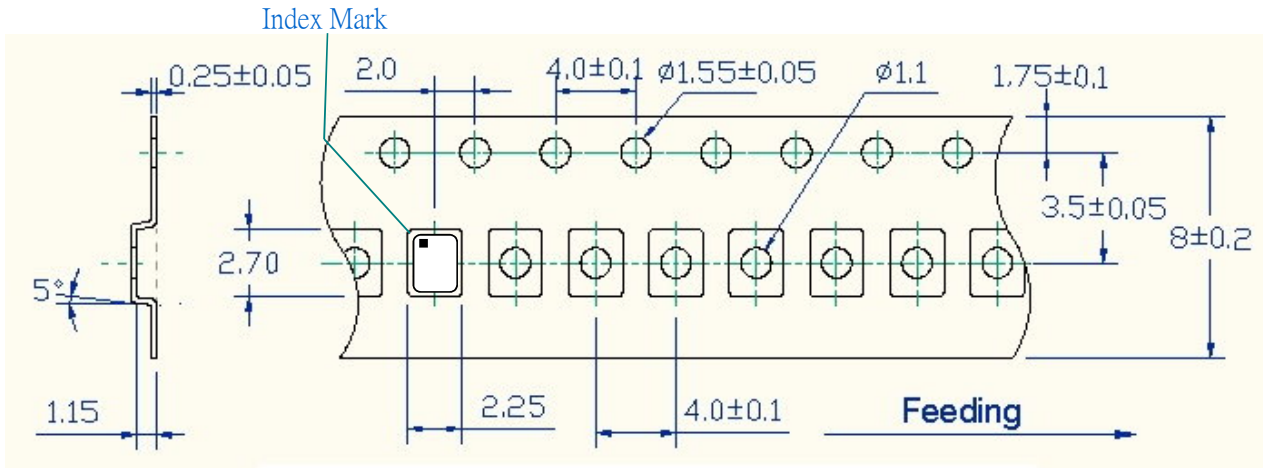
| Pin | Function        |
|-----|-----------------|
| 1   | OE              |
| 2   | Ground          |
| 3   | Clock Output    |
| 4   | V <sub>DD</sub> |

# TYPE HX 2.5x2.0 SEAM SEALED CRYSTAL CLOCK OSCILLATOR

**HX21480001**

VER. A 30-Mar-15

## TAPE & REEL



1. 230mm minimum leader which consist of carrier and/or tape followed by a minimum of 160mm of empty carrier tape sealed with cover tape.
2. 160mm minimum trailer of empty carrier tape sealed with cover tape.

# TYPE HX 2.5x2.0 SEAM SEALED CRYSTAL CLOCK OSCILLATOR

HX21480001

VER. A 30-Mar-15

## PACKING

