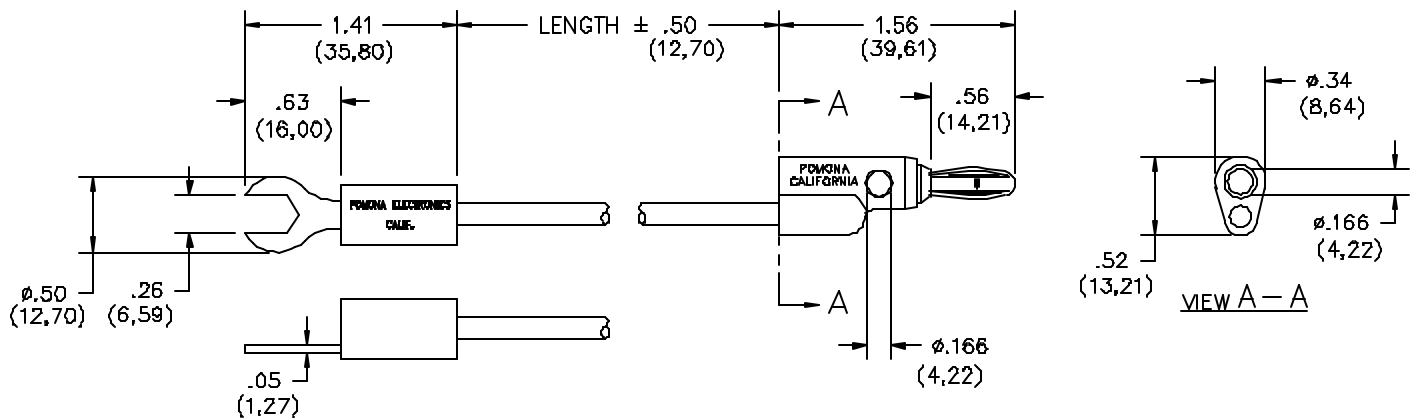


Model 1370 Insulated Spade Lug To Stacking Banana Plug



FEATURES:

- Banana Plug provides vertical and cross stacking.
- Provides a Banana Plug output from a barrier strip or binding post.
- Ideal for connection to power supplies and test equipment.
- Both ends will mate to Model #3750 or any standard binding post.

MATERIALS:

Spade Lug & Banana Plug

Material: Brass per QQ-B-626, Alloy 360, ½ Hard, Banana Plug spring – Nickel plated Beryllium Copper

Finish: Nickel plated per QQ-N-290, Class 2, 200/300 microinches.

Insulation: Polypropylene molded to spade lug body and wire. Color matches color of wire.

Wire: 18 AWG stranding 65 x 36 t.c., PVC insulated 3.66 (.144) O.D.

Color: See Ordering Information.

Marking: "POMONA 1370-*."

RATINGS:

Operating Temperature: +55°C. (+131°F.) Max.

Operating Voltage: 5000 VDC Max.

Current: 15 Amperes

ORDERING INFORMATION: Model 1370-XX-*

XX = Cable Lengths, Standard Lengths: 12" (305), 24" (610), 36" (914), 48" (1219) & 60" (1524). Additional lengths and colors can be quoted upon request.

*= Color, -0 Black, -2 Red. Ordering Example: 1370-60-2 Indicates 60" in length, color is Red

All dimensions are in inches. Tolerances (except noted): .xx = ±.02" (.51 mm), .xxx = ±.005" (.127 mm).

All specifications are to the latest revisions. Specifications are subject to change without notice.

Registered trademarks are the property of their respective companies. Made in USA