

SMT POWER INDUCTORS

Unshielded Drum Core - P0770NL Series



- Height:** 2.9mm Max
- Footprint:** 6.6mm x 4.5mm Max
- Current Rating:** up to 2.9A
- Inductance Range:** 1.0μH to 220μH

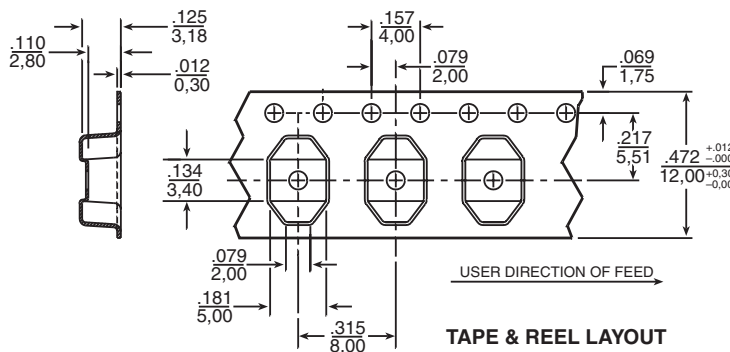
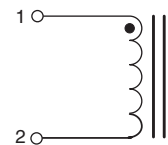
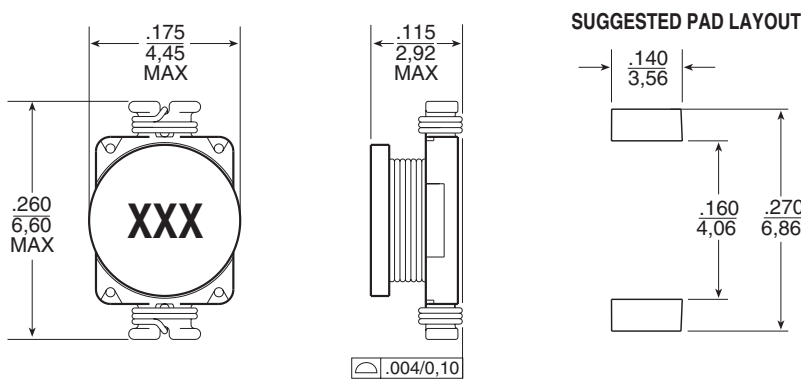
Electrical Specifications @ 25°C — Operating Temperature -40°C to +130°C

| Part ^{6,7} Number | Inductance @ I _{PK} A _{DC} (μH ± 20%) | I _{rated} ⁵ (A) | DCR (MAX) (mΩ) | Saturation Current (A) @ 25°C | Heating Current (A) |
|-------------------------------|---|--|-------------------|----------------------------------|------------------------|
| P0770.102NL | 1.0 | 2.90 | 50 | 2.90 | 2.90 |
| P0770.152NL | 1.5 | 2.60 | 50 | 2.60 | 2.80 |
| P0770.222NL | 2.2 | 2.30 | 70 | 2.30 | 2.40 |
| P0770.332NL | 3.3 | 2.00 | 80 | 2.00 | 2.00 |
| P0770.472NL | 4.7 | 1.50 | 90 | 1.50 | 1.50 |
| P0770.682NL | 6.8 | 1.20 | 130 | 1.20 | 1.40 |
| P0770.103NL | 10 | 1.10 | 160 | 1.10 | 1.10 |
| P0770.153NL | 15 | 0.90 | 230 | 0.90 | 1.20 |
| P0770.223NL | 22 | 0.70 | 370 | 0.70 | 0.80 |
| P0770.333NL | 33 | 0.58 | 510 | 0.58 | 0.60 |
| P0770.473NL | 47 | 0.50 | 640 | 0.50 | 0.50 |
| P0770.683NL | 68 | 0.40 | 860 | 0.40 | 0.40 |
| P0770.104NL | 100 | 0.30 | 1270 | 0.31 | 0.30 |
| P0770.154NL | 150 | 0.25 | 2000 | 0.27 | 0.2 |
| P0770.224NL | 220 | 0.20 | 3110 | 0.22 | 0.20 |

- NOTES:**
- The temperature of the component (ambient plus temperature rise) must be within the specified operating temperature range.
 - Inductance tested at 100kHz, 10 mV_{RMS}
 - Inductance drop = 10% typical at the Saturation Current
 - ΔT = 15°C rise typical at the Heating Current
 - The rated current is the lower of the saturation or heating current.
 - Optional Tape & Reel packaging can be ordered by adding a "T" suffix to the part no. (i.e. P0770.102NL becomes P0770.102NLT). Pulse complies to industry standard tape and reel specification EIA481.
 - The "NL" suffix indicates an RoHS-compliant part number. Non-NL suffixed parts are not necessarily RoHS compliant, but are electrically and mechanically equivalent to NL versions. If a part number does not have the "NL" suffix, but an RoHS compliant version is required, please contact Pulse for availability.

Mechanical

Schematic



Weight 0.2 grams
Tape & Reel 2500/reel

Dimensions: Inches
mm
Unless otherwise specified,
all tolerances are ± .010
0,25