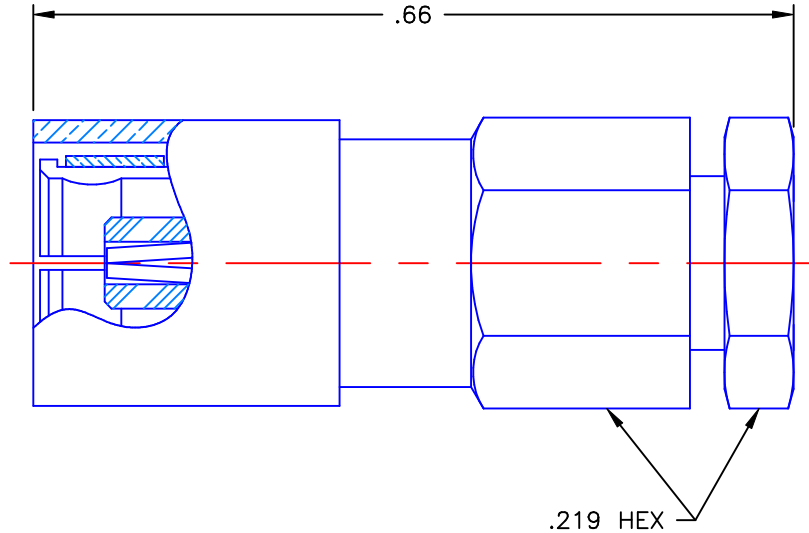


REVISIONS			
REV	DESCRIPTION	DATE	APPROVED
A	INITIAL RELEASE	09/12/11	D.N.




NOTES: COMFORMS TO M39012/67-0004

MATERIALS:

1. CONTACT & SPRING = BERYLLIUM COPPER PER ASTM B196, ALLOY C17300, TEMPER TD04.
2. INSULATOR = VIRGIN WHITE TEFLON PER ASTM D1710, GRADE 1, TYPE I, CLASS "B".
3. ALL OTHER METAL PARTS = BRASS PER ASTM B16, ALLOY C36000, TEMPER H02.

FINISHES:

1. BODY = GOLD PLATE PER MIL-G-45204, TYPE II, CLASS 1, GRADE C, OVER .00010 TO .00020 COPPER STRIKE PER MIL-C-14550.
2. CONTACT = GOLD PLATE PER MIL-G-45204, TYPE II, CLASS 1, GRADE C, OVER .00010 TO .00020 STRESS FREE SULFAMATE NICKEL PER QQ-N-290.
3. SPRING = GOLD PLATE PER MIL-G-45204, TYPE II, CLASS 0, GRADE D, OVER .00010 TO .00020 THICK COPPER STRIKE PER MIL-C-14550.
4. ALL OTHER METAL PARTS = GOLD PLATE PER MIL-G-45204, TYPE II, CLASS 0, GRADE C, OVER .00010 TO .00020 COPPER STRIKE PER MIL-C-14550.

UNLESS OTHERWISE SPECIFIED DIMENSIONS ARE IN INCHES TOLERANCES ON		DWN:	DATE		Property of Radial This document cannot be reproduced or communicated to a third party without prior written permission of RADIALL.		
		D.N.	09/12/11				
DECIMAL	ANGLE	CHKD:	DATE	SMB STRAIGHT FEMALE PLUG CLAMP TYPE FOR RG-316 CABLE			
		M.J.	09/12/11				
REFERENCE:		APVD:	DATE	SIZE	FSCM NO.	DWG. NO.	REV
		J.M.	09/12/11	A	19505	2002-1551-903	A
ORIGINATOR: D.N. DATE: 09/12/11		MATERIALS & FINISHES: SEE NOTES		SCALE 6:1		SHEET 1 OF 1	

2002-1551-903