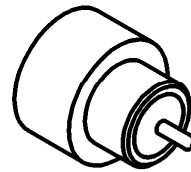
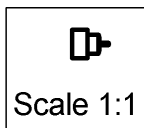
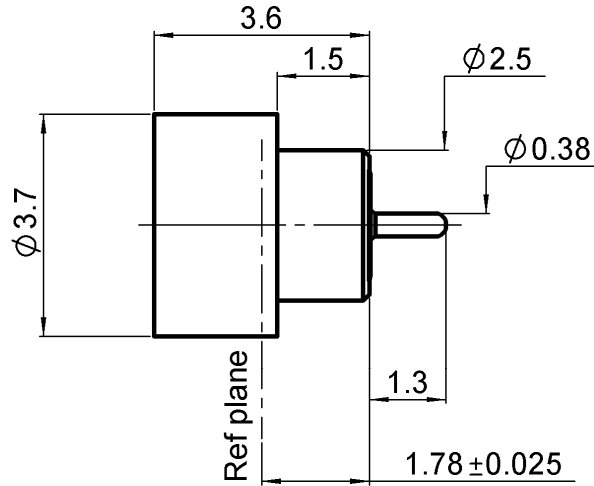


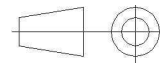
HERMETIC STRAIGHT MALE RECEPTACLE
SOLDER TYPE - FULL DETENT

R222.645.000

Series : SMP



All dimensions are in mm.



COMPONENTS	MATERIALS	PLATINGS (µm)
BODY	DILVER P1	GOLD 0.5 OVER NICKEL 2
CENTER CONTACT	DILVER P1	GOLD 0.5 OVER NICKEL 2
OUTER CONTACT		
INSULATOR	GLASS	
GASKET		
OTHERS PARTS		
-	-	-
-	-	-

Issue : 0950 B

In the effort to improve our products, we reserve the right to make changes judged to be necessary.



HERMETIC STRAIGHT MALE RECEPTACLE

R222.645.000

SOLDER TYPE - FULL DETENT

Series : SMP

PACKAGING

SPECIFICATION

Standard	Unit	Other
100	'W' option	Contact us

ELECTRICAL CHARACTERISTICS

ENVIRONMENTAL

Impedance	50	Ω
Frequency	0-18	GHz
VSWR	1.15 + 0,0000	x F(GHz) Maxi
Insertion loss	0.12	$\sqrt{F}(\text{GHz})$ dB Maxi
RF leakage	- (NA)	- F(GHz)) dB Maxi
Voltage rating	335	Veff Maxi
Dielectric withstanding voltage	500	Veff mini
Insulation resistance	5000	M Ω mini

Operating temperature	-65/+165	$^{\circ}\text{C}$
Hermetic seal	10-8	Atm.cm3/s
Panel leakage	NA	

OTHERS CHARACTERISTICS

Assembly instruction **NA**

Others :

MECHANICAL CHARACTERISTICS

Center contact retention		
Axial force – Mating end	6.8	N mini
Axial force – Opposite end	6.8	N mini
Torque	NA	N.cm mini
Recommended torque		
Mating	NA	N.cm
Panel nut	NA	N.cm
Mating life	100	Cycles mini
Weight	0,2200	g

Issue : 0950 B

In the effort to improve our products, we reserve the right to make changes judged to be necessary.

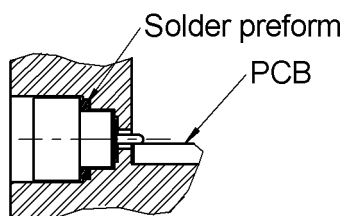


HERMETIC STRAIGHT MALE RECEPTACLE

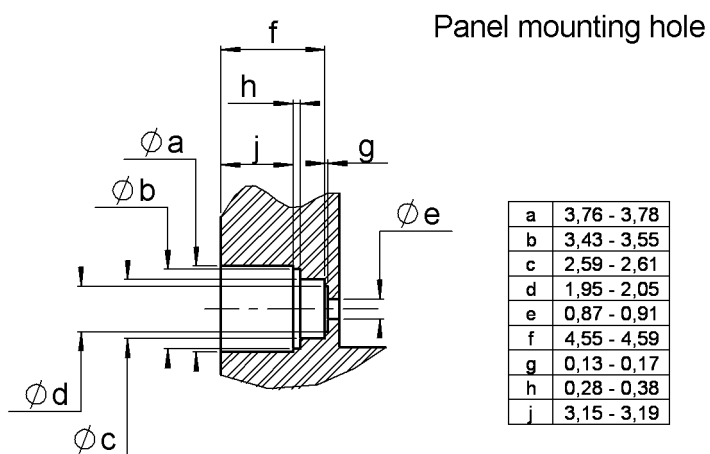
R222.645.000

SOLDER TYPE - FULL DETENT

Series : SMP



1. Degrease and clean connector and box
2. Solder the connector on the panel
we advise SnAg4 Cu0.5, we recommend a low residue flux.
Preheating at 100 °C. Take care not to exceed 260°C during solder operation
3. Solder the pin on the track
we advise SnAg4 Cu0.5, we recommend a low residue flux.
Preheating at 100 °C (only for ceramic substrate). Take care not to exceed 260°C during solder operation



Issue : 0950 B

In the effort to improve our products, we reserve the right to make changes judged to be necessary.

