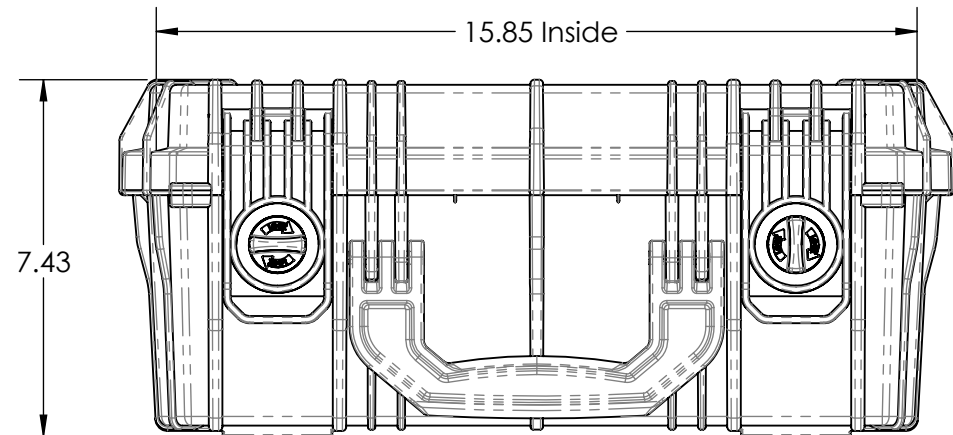
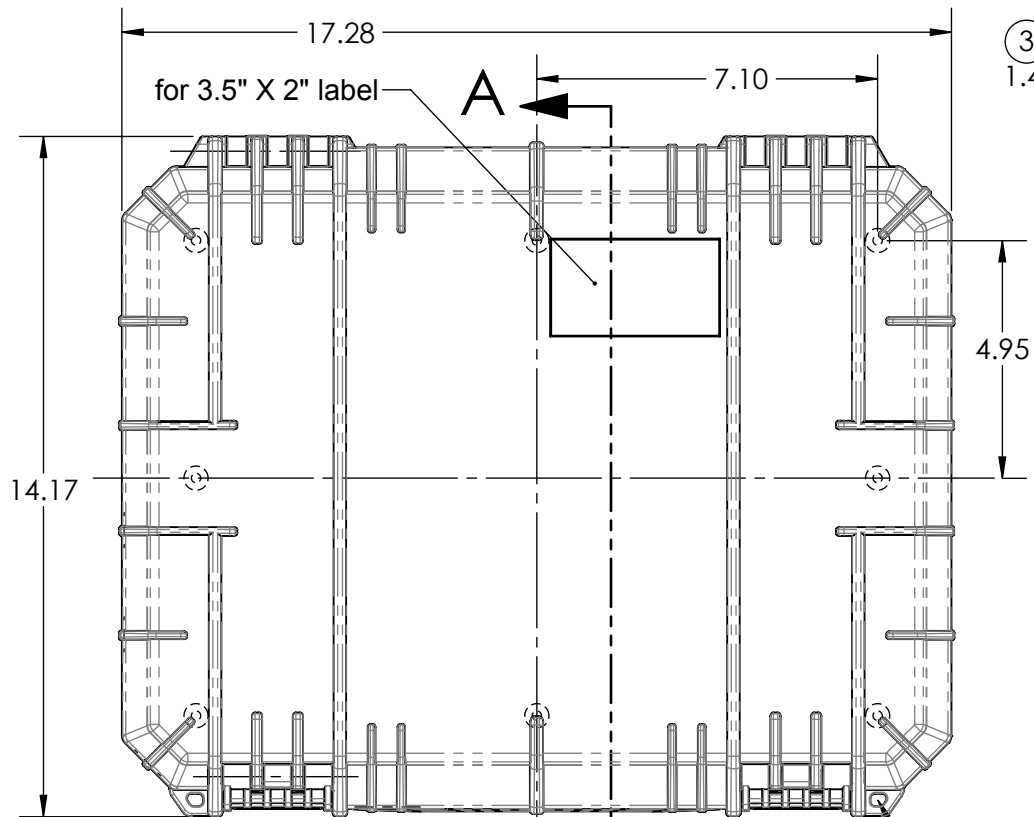


SERPAC 630

Electronic Enclosures

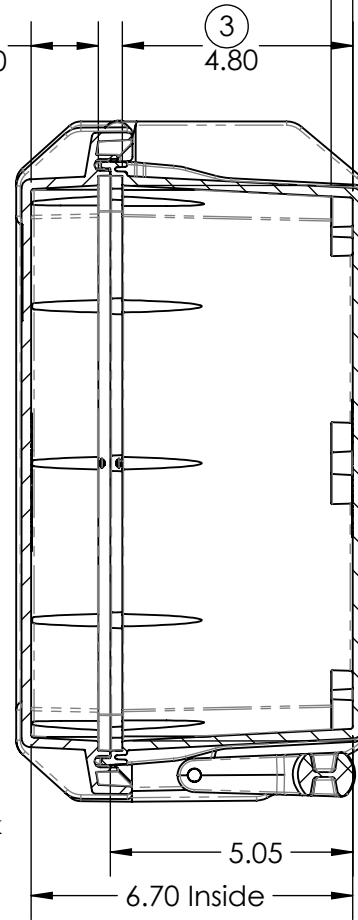


Padlock Hole 2X

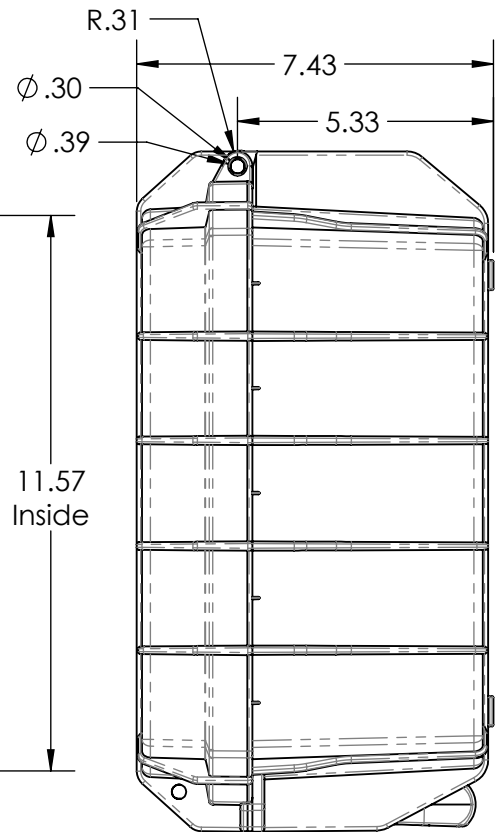
③ 1.40

.45
Bottom
Bosses

③ 4.80

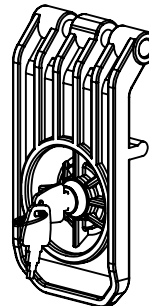


SECTION A-A
SCALE 1 : 4



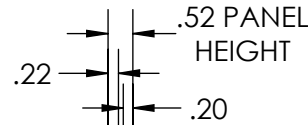
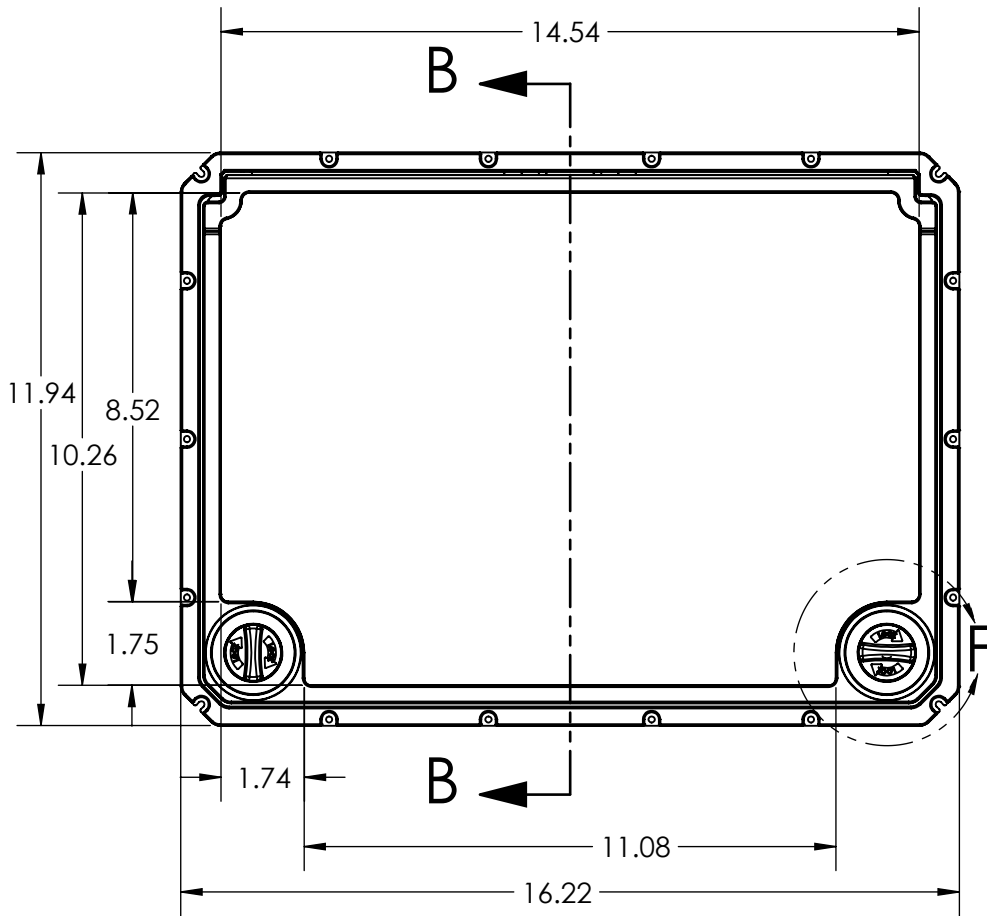
SE630ML

Optional latch with metal lock. See note 4

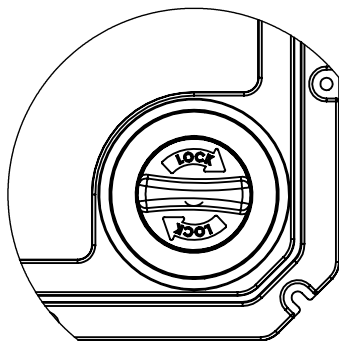
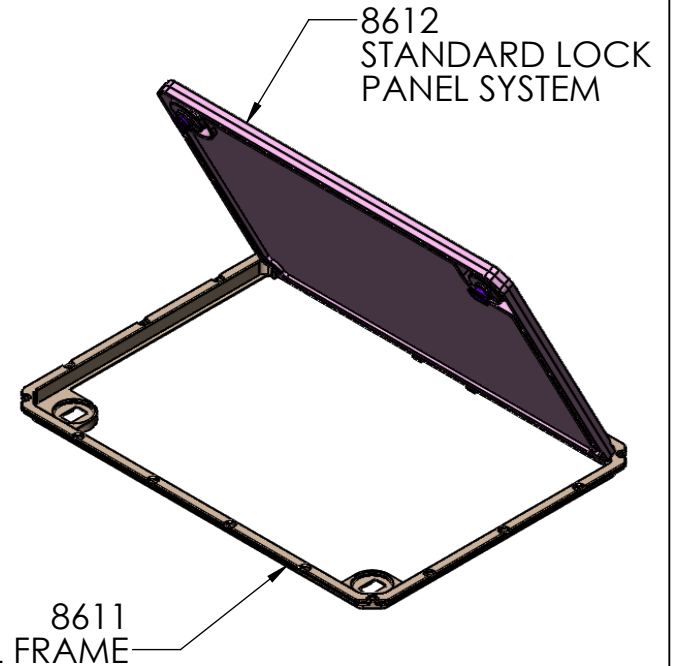


NOTES:

- 1) Max. usable inside dimensions are:
15 13/16" X 11 5/8" X 6 11/16" (6 1/4" top of boss)
dim. are approx.
- 2) Bosses on bottom use a 1/4 self tapping screw.
- 3) Dimensions to bottom of panel flange.
- 4) Optional latches with Metal Lock
Specify p/n SE630ML.



SECTION B-B
SCALE 1 : 4

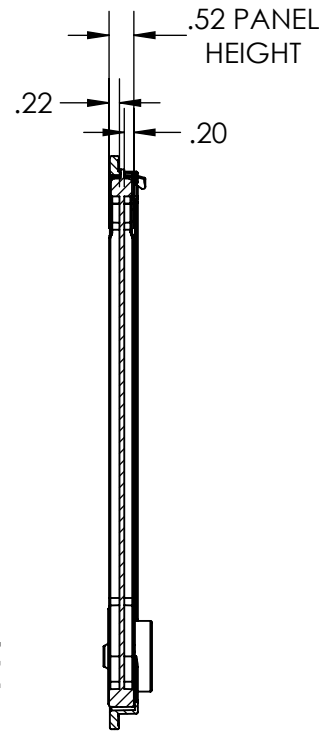
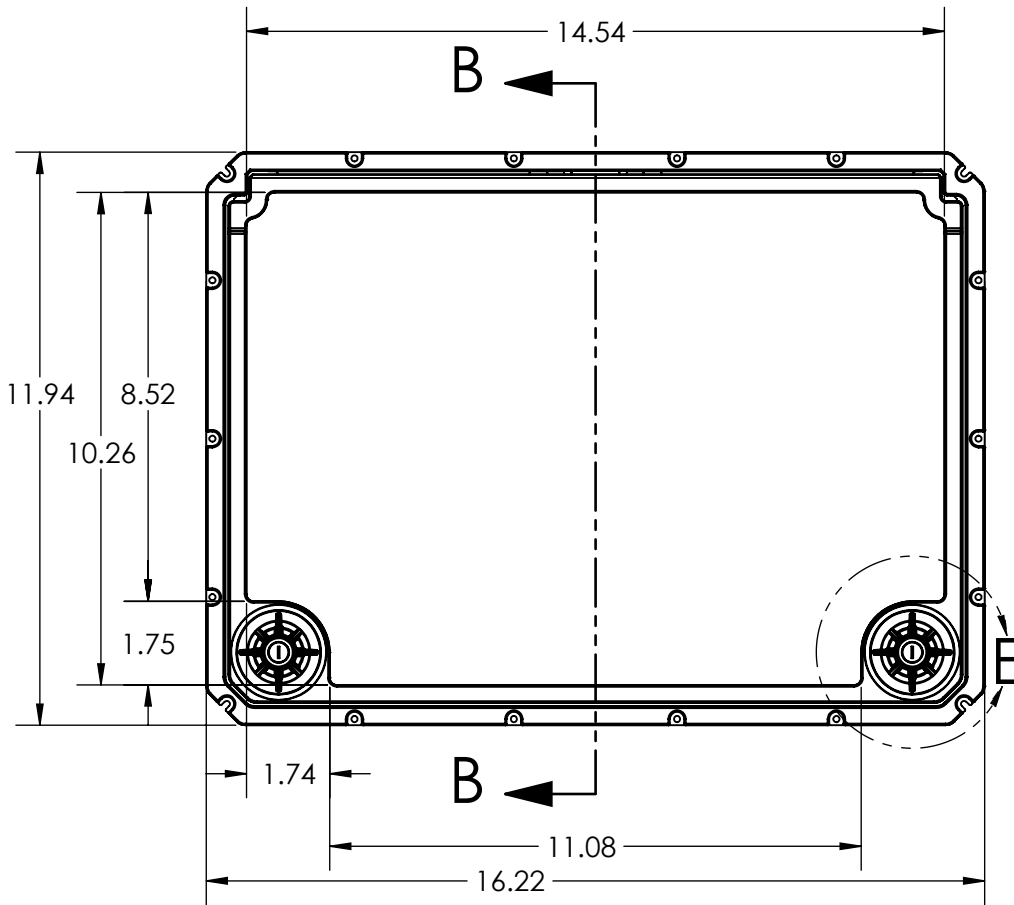


STANDARD LOCK
DETAIL F
SCALE 1 : 2

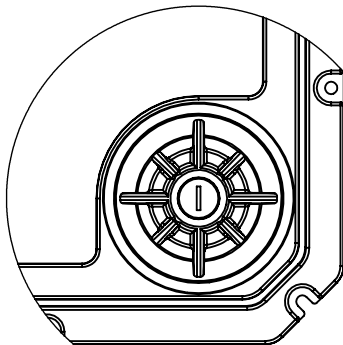
Optional Metal Lock Panel System available. See page 3.
Optional foam available. Call to inquire.

NOTES:

- 1) Maximum usable dimensions are: 14.54" X 10.26".
- 2) Panel systems is mountable on the top or bottom of the case.
- 3) Mounting hardware (screws) are included.

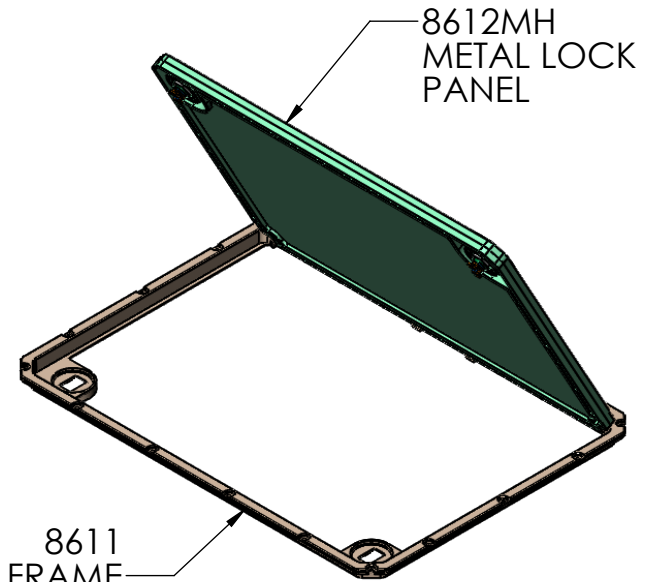


SECTION B-B
SCALE 1 : 4



Metal Lock
DETAIL E
SCALE 1 : 2

Optional Standard Lock
Panel System available.
See page 2.
Optional foam available.
Call to inquire.



8612MH
METAL LOCK
PANEL

8611
PANEL FRAME

NOTES:

- 1) Maximum usable dimensions are:
14.54" X 10.26".
- 2) Panel systems is mountable on the
top or bottom of the case.
- 3) Mounting hardware (screws) are included.