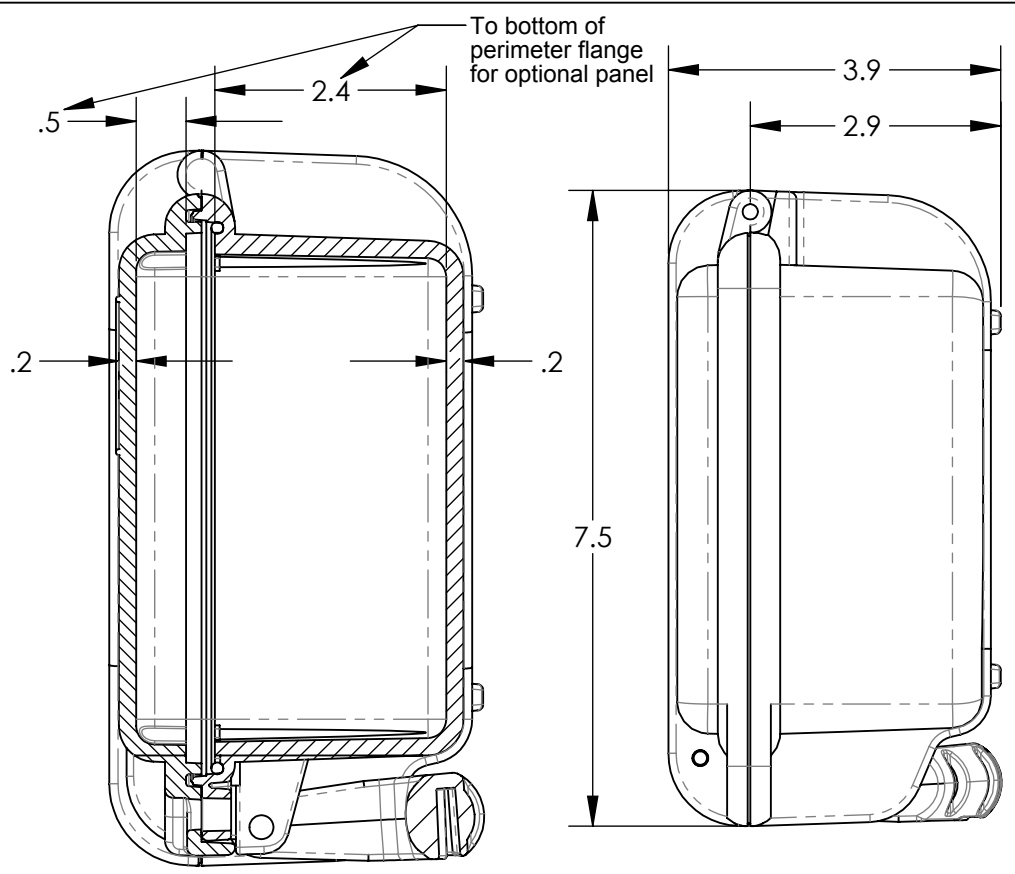
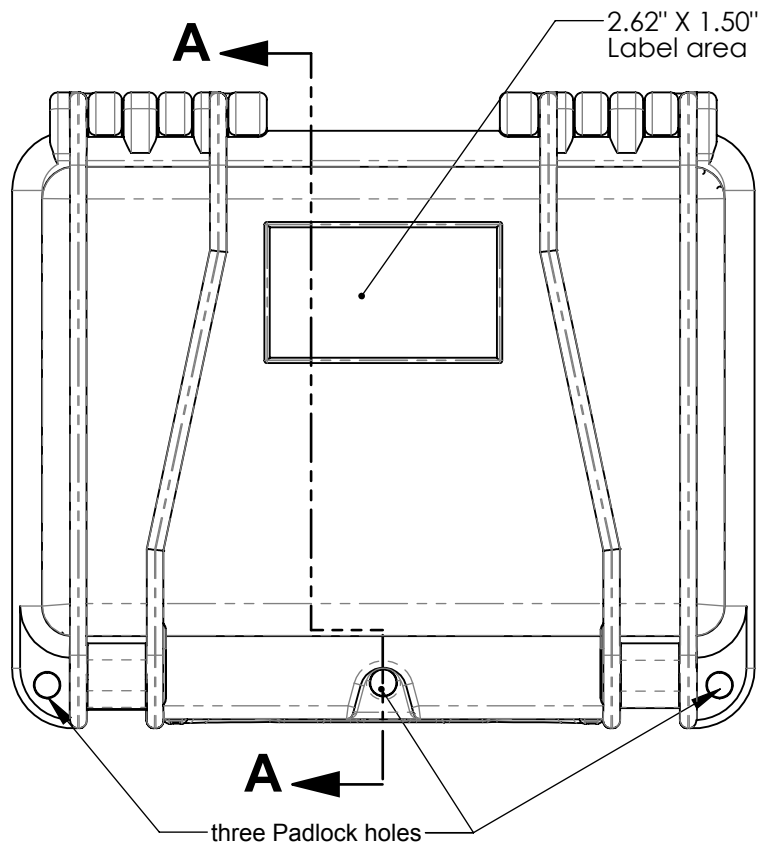
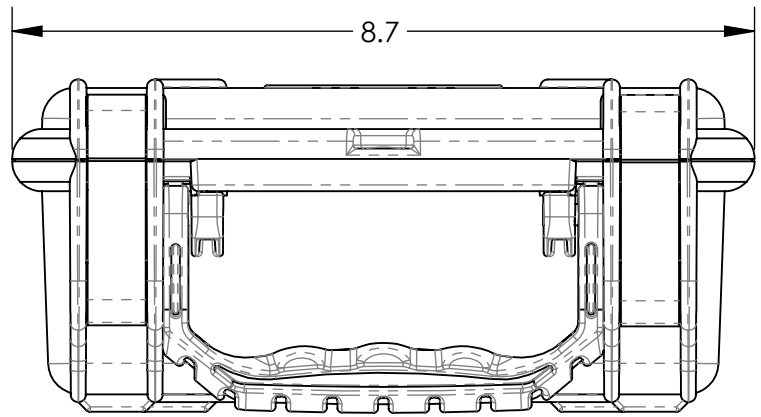


# SERPAC 120

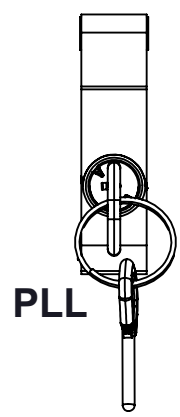
Electronic Enclosures



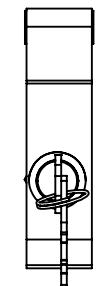
SECTION A-A



Latch with Plastic Lock



Latch with Metal Lock



Optional Latches Must Be Specified at Time of Order. See Note 2

**NOTES:**

- 1) Max. usable inside dimensions are: 7.50" X 5.00" X 3.23"
- 2) With Metal Lock Latches p/n SE120ML and Plastic Lock Latches p/n SE120PL are optional.