

PRINTED CIRCUIT TRANSFORMERS

TransGlobal Printed Circuit Mount Transformers

TransGlobal®
Printed Circuit Mount



Designed for single input and single output use only,
and requires simultaneous use of all windings.

| Sec. | STANCOR PART NUMBER | Primary Voltage | VA | Secondary RMS Rating | | Style | DIMENSIONS-INCHES | | | | | | | | | | | Weight (lbs.) | Agency* Certif. | |
|------|---------------------|-----------------|-----|----------------------|------|--------|-------------------|------|------|------|------|------|------|------|------------------|------|------|---------------|-----------------|----|
| | | | | Series Volts | Amps | | Parallel Volts | Amps | L | W | H | M | MW | ML | Pin [■] | A | B | | | C |
| A | TG2H-10 | 115/230 | 2.5 | 10.0 C.T. @ | 0.25 | 5.0 @ | 0.50 | P.C. | 1.63 | 1.31 | 1.13 | 1.06 | - | - | .025 | 0.20 | 0.25 | 1.00 | 0.25 | †‡ |
| | TG05-10 | 115/230 | 5 | 10.0 C.T. @ | 0.50 | 5.0 @ | 1.00 | P.C. | 1.63 | 1.31 | 1.38 | 1.06 | - | - | .025 | 0.20 | 0.40 | 1.00 | 0.38 | †‡ |
| | TG10-10 | 115/230 | 10 | 10.0 C.T. @ | 1.00 | 5.0 @ | 2.00 | P.C. | 1.94 | 1.59 | 1.38 | 1.25 | - | - | .035 | 0.20 | 0.40 | 1.14 | 0.55 | †‡ |
| | TG20-10 | 115/230 | 20 | 10.0 C.T. @ | 2.00 | 5.0 @ | 4.00 | P.C. | 2.25 | 1.88 | 1.63 | 1.50 | - | - | .035 | 0.40 | 0.40 | 1.46 | 0.95 | †‡ |
| | TG30-10 | 115/230 | 30 | 10.0 C.T. @ | 3.00 | 5.0 @ | 6.00 | P.C. | 2.63 | 2.19 | 1.59 | - | 1.75 | 2.19 | .040 | 0.55 | 0.28 | 1.68 | 1.20 | †‡ |
| | TG56-10 | 115/230 | 56 | 10.0 C.T. @ | 5.60 | 5.0 @ | 11.20 | P.C. | 3.00 | 2.50 | 1.84 | - | 2.00 | 2.50 | .040 | 0.60 | 0.30 | 1.90 | 1.80 | †‡ |
| B | TG2H-12 | 115/230 | 2.5 | 12.6 C.T. @ | 0.20 | 6.3 @ | 0.40 | P.C. | 1.63 | 1.31 | 1.13 | 1.06 | - | - | .025 | 0.20 | 0.25 | 1.00 | 0.25 | †‡ |
| | TG05-12 | 115/230 | 5 | 12.6 C.T. @ | 0.40 | 6.3 @ | 0.80 | P.C. | 1.63 | 1.31 | 1.38 | 1.06 | - | - | .025 | 0.20 | 0.40 | 1.00 | 0.38 | †‡ |
| | TG10-12 | 115/230 | 10 | 12.6 C.T. @ | 0.80 | 6.3 @ | 1.60 | P.C. | 1.94 | 1.59 | 1.38 | 1.25 | - | - | .035 | 0.20 | 0.40 | 1.14 | 0.55 | †‡ |
| | TG20-12 | 115/230 | 20 | 12.6 C.T. @ | 1.60 | 6.3 @ | 3.20 | P.C. | 2.25 | 1.88 | 1.63 | 1.50 | - | - | .035 | 0.40 | 0.40 | 1.46 | 0.95 | †‡ |
| | TG30-12 | 115/230 | 30 | 12.6 C.T. @ | 2.40 | 6.3 @ | 4.80 | P.C. | 2.63 | 2.19 | 1.59 | - | 1.75 | 2.19 | .040 | 0.55 | 0.28 | 1.68 | 1.20 | †‡ |
| | TG56-12 | 115/230 | 56 | 12.6 C.T. @ | 4.40 | 6.3 @ | 8.80 | P.C. | 3.00 | 2.50 | 1.84 | - | 2.00 | 2.50 | .040 | 0.60 | 0.30 | 1.90 | 1.80 | †‡ |
| C | TG2H-16 | 115/230 | 2.5 | 16.0 C.T. @ | 0.15 | 8.0 @ | 0.30 | P.C. | 1.63 | 1.31 | 1.13 | 1.06 | - | - | .025 | 0.20 | 0.25 | 1.00 | 0.25 | †‡ |
| | TG05-16 | 115/230 | 5 | 16.0 C.T. @ | 0.31 | 8.0 @ | 0.62 | P.C. | 1.63 | 1.31 | 1.38 | 1.06 | - | - | .025 | 0.20 | 0.40 | 1.00 | 0.38 | †‡ |
| | TG10-16 | 115/230 | 10 | 16.0 C.T. @ | 0.62 | 8.0 @ | 1.25 | P.C. | 1.94 | 1.59 | 1.38 | 1.25 | - | - | .035 | 0.20 | 0.40 | 1.14 | 0.55 | †‡ |
| | TG20-16 | 115/230 | 20 | 16.0 C.T. @ | 1.25 | 8.0 @ | 2.50 | P.C. | 2.25 | 1.88 | 1.63 | 1.50 | - | - | .035 | 0.40 | 0.40 | 1.46 | 0.95 | †‡ |
| | TG30-16 | 115/230 | 30 | 16.0 C.T. @ | 1.90 | 8.0 @ | 3.80 | P.C. | 2.63 | 2.19 | 1.59 | - | 1.75 | 2.19 | .040 | 0.55 | 0.28 | 1.68 | 1.20 | †‡ |
| | TG56-16 | 115/230 | 56 | 16.0 C.T. @ | 3.50 | 8.0 @ | 7.00 | P.C. | 3.00 | 2.50 | 1.84 | - | 2.00 | 2.50 | .040 | 0.60 | 0.30 | 1.90 | 1.80 | †‡ |
| D | TG2H-20 | 115/230 | 2.5 | 20.0 C.T. @ | 0.12 | 10.0 @ | 0.24 | P.C. | 1.63 | 1.31 | 1.13 | 1.06 | - | - | .025 | 0.20 | 0.25 | 1.00 | 0.25 | †‡ |
| | TG05-20 | 115/230 | 5 | 20.0 C.T. @ | 0.25 | 10.0 @ | 0.50 | P.C. | 1.63 | 1.31 | 1.38 | 1.06 | - | - | .025 | 0.20 | 0.40 | 1.00 | 0.38 | †‡ |
| | TG10-20 | 115/230 | 10 | 20.0 C.T. @ | 0.50 | 10.0 @ | 1.00 | P.C. | 1.94 | 1.59 | 1.38 | 1.25 | - | - | .035 | 0.20 | 0.40 | 1.14 | 0.55 | †‡ |
| | TG20-20 | 115/230 | 20 | 20.0 C.T. @ | 1.00 | 10.0 @ | 2.00 | P.C. | 2.25 | 1.88 | 1.63 | 1.50 | - | - | .035 | 0.40 | 0.40 | 1.46 | 0.95 | †‡ |
| | TG30-20 | 115/230 | 30 | 20.0 C.T. @ | 1.50 | 10.0 @ | 3.00 | P.C. | 2.63 | 2.19 | 1.59 | - | 1.75 | 2.19 | .040 | 0.55 | 0.28 | 1.68 | 1.20 | †‡ |
| | TG56-20 | 115/230 | 56 | 20.0 C.T. @ | 2.80 | 10.0 @ | 5.60 | P.C. | 3.00 | 2.50 | 1.84 | - | 2.00 | 2.50 | .040 | 0.60 | 0.30 | 1.90 | 1.80 | †‡ |
| E | TG2H-24 | 115/230 | 2.5 | 24.0 C.T. @ | 0.10 | 12.0 @ | 0.20 | P.C. | 1.63 | 1.31 | 1.13 | 1.06 | - | - | .025 | 0.20 | 0.25 | 1.00 | 0.25 | †‡ |
| | TG05-24 | 115/230 | 5 | 24.0 C.T. @ | 0.21 | 12.0 @ | 0.42 | P.C. | 1.63 | 1.31 | 1.38 | 1.06 | - | - | .025 | 0.20 | 0.40 | 1.00 | 0.38 | †‡ |
| | TG10-24 | 115/230 | 10 | 24.0 C.T. @ | 0.42 | 12.0 @ | 0.84 | P.C. | 1.94 | 1.59 | 1.38 | 1.25 | - | - | .035 | 0.20 | 0.40 | 1.14 | 0.55 | †‡ |
| | TG20-24 | 115/230 | 20 | 24.0 C.T. @ | 0.83 | 12.0 @ | 1.66 | P.C. | 2.25 | 1.88 | 1.63 | 1.50 | - | - | .035 | 0.40 | 0.40 | 1.46 | 0.95 | †‡ |
| | TG30-24 | 115/230 | 30 | 24.0 C.T. @ | 1.25 | 12.0 @ | 2.50 | P.C. | 2.63 | 2.19 | 1.59 | - | 1.75 | 2.19 | .040 | 0.55 | 0.28 | 1.68 | 1.20 | †‡ |
| | TG56-24 | 115/230 | 56 | 24.0 C.T. @ | 2.33 | 12.0 @ | 4.66 | P.C. | 3.00 | 2.50 | 1.84 | - | 2.00 | 2.50 | .040 | 0.60 | 0.30 | 1.90 | 1.80 | †‡ |
| F | TG2H-28 | 115/230 | 2.5 | 28.0 C.T. @ | 0.09 | 14.0 @ | 0.18 | P.C. | 1.63 | 1.31 | 1.13 | 1.06 | - | - | .025 | 0.20 | 0.25 | 1.00 | 0.25 | †‡ |
| | TG05-28 | 115/230 | 5 | 28.0 C.T. @ | 0.18 | 14.0 @ | 0.36 | P.C. | 1.63 | 1.31 | 1.38 | 1.06 | - | - | .025 | 0.20 | 0.40 | 1.00 | 0.38 | †‡ |
| | TG10-28 | 115/230 | 10 | 28.0 C.T. @ | 0.36 | 14.0 @ | 0.72 | P.C. | 1.94 | 1.59 | 1.38 | 1.25 | - | - | .035 | 0.20 | 0.40 | 1.14 | 0.55 | †‡ |
| | TG20-28 | 115/230 | 20 | 28.0 C.T. @ | 0.72 | 14.0 @ | 1.44 | P.C. | 2.25 | 1.88 | 1.63 | 1.50 | - | - | .035 | 0.40 | 0.40 | 1.46 | 0.95 | †‡ |
| | TG30-28 | 115/230 | 30 | 28.0 C.T. @ | 1.06 | 14.0 @ | 2.12 | P.C. | 2.63 | 2.19 | 1.59 | - | 1.75 | 2.19 | .040 | 0.55 | 0.28 | 1.68 | 1.20 | †‡ |
| | TG56-28 | 115/230 | 56 | 28.0 C.T. @ | 2.00 | 14.0 @ | 4.00 | P.C. | 3.00 | 2.50 | 1.84 | - | 2.00 | 2.50 | .040 | 0.60 | 0.30 | 1.90 | 1.80 | †‡ |

* Agency Certification Note: U.L. recognized component for use in the U.S. and Canada
TUV certified to EN61558
(TUV Report no. DI 401341)

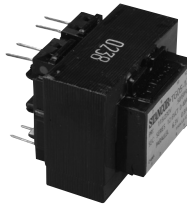
For outline drawings refer to pages 24.



PRINTED CIRCUIT TRANSFORMERS

TransGlobal Printed Circuit Mount Transformers

TransGlobal®
Printed Circuit Mount



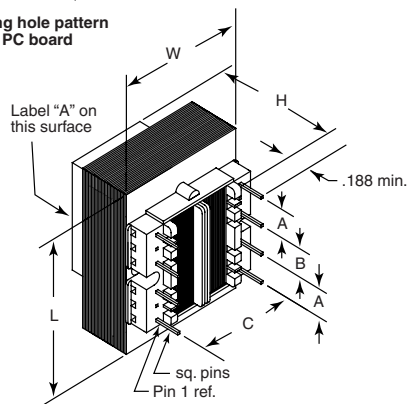
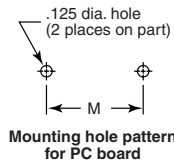
Designed for single input and single output use only,
and requires simultaneous use of all windings.

| STANCOR PART Sec. NUMBER | Primary Voltage | VA | Secondary RMS Rating | | Style | DIMENSIONS-INCHES | | | | | | | | | | | Weight (lbs.) | Agency Certif. |
|--------------------------------|--------------------|-----|----------------------|------------------|-------|-------------------|------|------|------|------|------|------------------|------|------|------|------|------------------|-------------------|
| | | | Series Volts | Parallel Amps | | L | W | H | M | MW | ML | Pin [■] | A | B | C | | | |
| A TG2H-36 | 115/230 | 2.5 | 36.0 C.T. @ 0.07 | 18.0 @ 0.14 | P.C. | 1.63 | 1.31 | 1.13 | 1.06 | - | - | .025 | 0.20 | 0.25 | 1.00 | 0.25 | † ‡ | |
| TG05-36 | 115/230 | 5 | 36.0 C.T. @ 0.14 | 18.0 @ 0.28 | P.C. | 1.63 | 1.31 | 1.38 | 1.06 | - | - | .025 | 0.20 | 0.40 | 1.00 | 0.38 | † ‡ | |
| TG10-36 | 115/230 | 10 | 36.0 C.T. @ 0.28 | 18.0 @ 0.56 | P.C. | 1.94 | 1.59 | 1.38 | 1.25 | - | - | .035 | 0.20 | 0.40 | 1.14 | 0.55 | † ‡ | |
| TG20-36 | 115/230 | 20 | 36.0 C.T. @ 0.56 | 18.0 @ 1.12 | P.C. | 2.25 | 1.88 | 1.63 | 1.50 | - | - | .035 | 0.40 | 0.40 | 1.46 | 0.95 | † ‡ | |
| TG30-36 | 115/230 | 30 | 36.0 C.T. @ 0.82 | 18.0 @ 1.64 | P.C. | 2.63 | 2.19 | 1.59 | - | 1.75 | 2.19 | .040 | 0.55 | 0.28 | 1.68 | 1.20 | † ‡ | |
| TG56-36 | 115/230 | 56 | 36.0 C.T. @ 1.56 | 18.0 @ 3.12 | P.C. | 3.00 | 2.50 | 1.84 | - | 2.00 | 2.50 | .040 | 0.60 | 0.30 | 1.90 | 1.80 | † ‡ | |

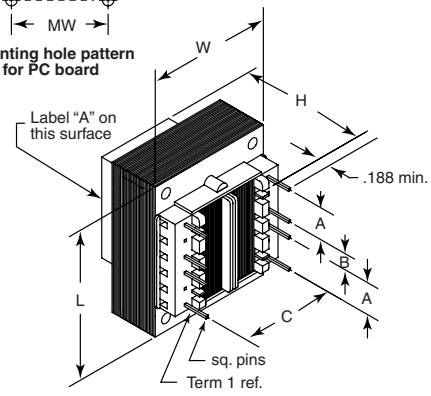
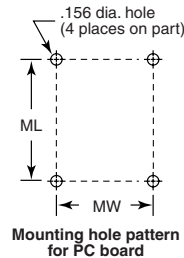
* Agency Certification Note: U.L. recognized component for use in the U.S. and Canada
TUV certified to EN61558 (Report #DI 401341)



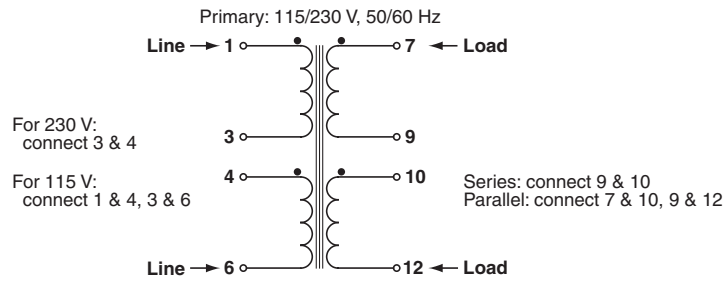
■ Pins are square



TG2H, 05, 10, 20



TG30, 56



Schematic Diagram