

PRINTED CIRCUIT TRANSFORMERS

TransGlobal Printed Circuit Mount Transformers

TransGlobal®
Printed Circuit Mount



Designed for single input and single output use only,
and requires simultaneous use of all windings.

Sec.	STANCOR PART NUMBER	Primary Voltage	VA	Secondary RMS Rating		Style	DIMENSIONS-INCHES											Weight (lbs.)	Agency* Certif.
				Series Volts	Amps		Parallel Volts	Amps	L	W	H	M	MW	ML	Pin [■]	A	B		
A	TG2H-10	115/230	2.5	10.0 C.T. @ 0.25	5.0 @ 0.50	P.C.	1.63	1.31	1.13	1.06	-	-	.025	0.20	0.25	1.00	0.25	†‡	
	TG05-10	115/230	5	10.0 C.T. @ 0.50	5.0 @ 1.00	P.C.	1.63	1.31	1.38	1.06	-	-	.025	0.20	0.40	1.00	0.38	†‡	
	TG10-10	115/230	10	10.0 C.T. @ 1.00	5.0 @ 2.00	P.C.	1.94	1.59	1.38	1.25	-	-	.035	0.20	0.40	1.14	0.55	†‡	
	TG20-10	115/230	20	10.0 C.T. @ 2.00	5.0 @ 4.00	P.C.	2.25	1.88	1.63	1.50	-	-	.035	0.40	0.40	1.46	0.95	†‡	
	TG30-10	115/230	30	10.0 C.T. @ 3.00	5.0 @ 6.00	P.C.	2.63	2.19	1.59	-	1.75	2.19	.040	0.55	0.28	1.68	1.20	†‡	
	TG56-10	115/230	56	10.0 C.T. @ 5.60	5.0 @ 11.20	P.C.	3.00	2.50	1.84	-	2.00	2.50	.040	0.60	0.30	1.90	1.80	†‡	
B	TG2H-12	115/230	2.5	12.6 C.T. @ 0.20	6.3 @ 0.40	P.C.	1.63	1.31	1.13	1.06	-	-	.025	0.20	0.25	1.00	0.25	†‡	
	TG05-12	115/230	5	12.6 C.T. @ 0.40	6.3 @ 0.80	P.C.	1.63	1.31	1.38	1.06	-	-	.025	0.20	0.40	1.00	0.38	†‡	
	TG10-12	115/230	10	12.6 C.T. @ 0.80	6.3 @ 1.60	P.C.	1.94	1.59	1.38	1.25	-	-	.035	0.20	0.40	1.14	0.55	†‡	
	TG20-12	115/230	20	12.6 C.T. @ 1.60	6.3 @ 3.20	P.C.	2.25	1.88	1.63	1.50	-	-	.035	0.40	0.40	1.46	0.95	†‡	
	TG30-12	115/230	30	12.6 C.T. @ 2.40	6.3 @ 4.80	P.C.	2.63	2.19	1.59	-	1.75	2.19	.040	0.55	0.28	1.68	1.20	†‡	
	TG56-12	115/230	56	12.6 C.T. @ 4.40	6.3 @ 8.80	P.C.	3.00	2.50	1.84	-	2.00	2.50	.040	0.60	0.30	1.90	1.80	†‡	
C	TG2H-16	115/230	2.5	16.0 C.T. @ 0.15	8.0 @ 0.30	P.C.	1.63	1.31	1.13	1.06	-	-	.025	0.20	0.25	1.00	0.25	†‡	
	TG05-16	115/230	5	16.0 C.T. @ 0.31	8.0 @ 0.62	P.C.	1.63	1.31	1.38	1.06	-	-	.025	0.20	0.40	1.00	0.38	†‡	
	TG10-16	115/230	10	16.0 C.T. @ 0.62	8.0 @ 1.25	P.C.	1.94	1.59	1.38	1.25	-	-	.035	0.20	0.40	1.14	0.55	†‡	
	TG20-16	115/230	20	16.0 C.T. @ 1.25	8.0 @ 2.50	P.C.	2.25	1.88	1.63	1.50	-	-	.035	0.40	0.40	1.46	0.95	†‡	
	TG30-16	115/230	30	16.0 C.T. @ 1.90	8.0 @ 3.80	P.C.	2.63	2.19	1.59	-	1.75	2.19	.040	0.55	0.28	1.68	1.20	†‡	
	TG56-16	115/230	56	16.0 C.T. @ 3.50	8.0 @ 7.00	P.C.	3.00	2.50	1.84	-	2.00	2.50	.040	0.60	0.30	1.90	1.80	†‡	
D	TG2H-20	115/230	2.5	20.0 C.T. @ 0.12	10.0 @ 0.24	P.C.	1.63	1.31	1.13	1.06	-	-	.025	0.20	0.25	1.00	0.25	†‡	
	TG05-20	115/230	5	20.0 C.T. @ 0.25	10.0 @ 0.50	P.C.	1.63	1.31	1.38	1.06	-	-	.025	0.20	0.40	1.00	0.38	†‡	
	TG10-20	115/230	10	20.0 C.T. @ 0.50	10.0 @ 1.00	P.C.	1.94	1.59	1.38	1.25	-	-	.035	0.20	0.40	1.14	0.55	†‡	
	TG20-20	115/230	20	20.0 C.T. @ 1.00	10.0 @ 2.00	P.C.	2.25	1.88	1.63	1.50	-	-	.035	0.40	0.40	1.46	0.95	†‡	
	TG30-20	115/230	30	20.0 C.T. @ 1.50	10.0 @ 3.00	P.C.	2.63	2.19	1.59	-	1.75	2.19	.040	0.55	0.28	1.68	1.20	†‡	
	TG56-20	115/230	56	20.0 C.T. @ 2.80	10.0 @ 5.60	P.C.	3.00	2.50	1.84	-	2.00	2.50	.040	0.60	0.30	1.90	1.80	†‡	
E	TG2H-24	115/230	2.5	24.0 C.T. @ 0.10	12.0 @ 0.20	P.C.	1.63	1.31	1.13	1.06	-	-	.025	0.20	0.25	1.00	0.25	†‡	
	TG05-24	115/230	5	24.0 C.T. @ 0.21	12.0 @ 0.42	P.C.	1.63	1.31	1.38	1.06	-	-	.025	0.20	0.40	1.00	0.38	†‡	
	TG10-24	115/230	10	24.0 C.T. @ 0.42	12.0 @ 0.84	P.C.	1.94	1.59	1.38	1.25	-	-	.035	0.20	0.40	1.14	0.55	†‡	
	TG20-24	115/230	20	24.0 C.T. @ 0.83	12.0 @ 1.66	P.C.	2.25	1.88	1.63	1.50	-	-	.035	0.40	0.40	1.46	0.95	†‡	
	TG30-24	115/230	30	24.0 C.T. @ 1.25	12.0 @ 2.50	P.C.	2.63	2.19	1.59	-	1.75	2.19	.040	0.55	0.28	1.68	1.20	†‡	
	TG56-24	115/230	56	24.0 C.T. @ 2.33	12.0 @ 4.66	P.C.	3.00	2.50	1.84	-	2.00	2.50	.040	0.60	0.30	1.90	1.80	†‡	
F	TG2H-28	115/230	2.5	28.0 C.T. @ 0.09	14.0 @ 0.18	P.C.	1.63	1.31	1.13	1.06	-	-	.025	0.20	0.25	1.00	0.25	†‡	
	TG05-28	115/230	5	28.0 C.T. @ 0.18	14.0 @ 0.36	P.C.	1.63	1.31	1.38	1.06	-	-	.025	0.20	0.40	1.00	0.38	†‡	
	TG10-28	115/230	10	28.0 C.T. @ 0.36	14.0 @ 0.72	P.C.	1.94	1.59	1.38	1.25	-	-	.035	0.20	0.40	1.14	0.55	†‡	
	TG20-28	115/230	20	28.0 C.T. @ 0.72	14.0 @ 1.44	P.C.	2.25	1.88	1.63	1.50	-	-	.035	0.40	0.40	1.46	0.95	†‡	
	TG30-28	115/230	30	28.0 C.T. @ 1.06	14.0 @ 2.12	P.C.	2.63	2.19	1.59	-	1.75	2.19	.040	0.55	0.28	1.68	1.20	†‡	
	TG56-28	115/230	56	28.0 C.T. @ 2.00	14.0 @ 4.00	P.C.	3.00	2.50	1.84	-	2.00	2.50	.040	0.60	0.30	1.90	1.80	†‡	

* Agency Certification Note: U.L. recognized component for use in the U.S. and Canada
TUV certified to EN61558
(TUV Report no. DI 401341)

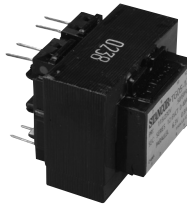
For outline drawings refer to pages 24.



PRINTED CIRCUIT TRANSFORMERS

TransGlobal Printed Circuit Mount Transformers

TransGlobal®
Printed Circuit Mount



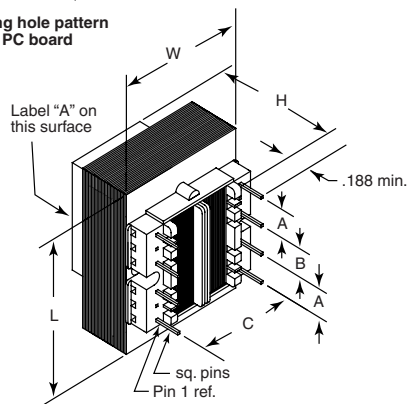
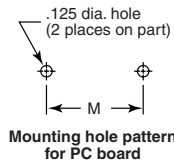
Designed for single input and single output use only,
and requires simultaneous use of all windings.

STANCOR PART Sec. NUMBER	Primary Voltage	VA	Secondary RMS Rating		Style	DIMENSIONS-INCHES											Weight (lbs.)	Agency- Certif.
			Series Volts	Parallel Amps		L	W	H	M	MW	ML	Pin [■]	A	B	C			
A TG2H-36	115/230	2.5	36.0 C.T. @ 0.07	18.0 @ 0.14	P.C.	1.63	1.31	1.13	1.06	-	-	.025	0.20	0.25	1.00	0.25	† ‡	
TG05-36	115/230	5	36.0 C.T. @ 0.14	18.0 @ 0.28	P.C.	1.63	1.31	1.38	1.06	-	-	.025	0.20	0.40	1.00	0.38	† ‡	
TG10-36	115/230	10	36.0 C.T. @ 0.28	18.0 @ 0.56	P.C.	1.94	1.59	1.38	1.25	-	-	.035	0.20	0.40	1.14	0.55	† ‡	
TG20-36	115/230	20	36.0 C.T. @ 0.56	18.0 @ 1.12	P.C.	2.25	1.88	1.63	1.50	-	-	.035	0.40	0.40	1.46	0.95	† ‡	
TG30-36	115/230	30	36.0 C.T. @ 0.82	18.0 @ 1.64	P.C.	2.63	2.19	1.59	-	1.75	2.19	.040	0.55	0.28	1.68	1.20	† ‡	
TG56-36	115/230	56	36.0 C.T. @ 1.56	18.0 @ 3.12	P.C.	3.00	2.50	1.84	-	2.00	2.50	.040	0.60	0.30	1.90	1.80	† ‡	

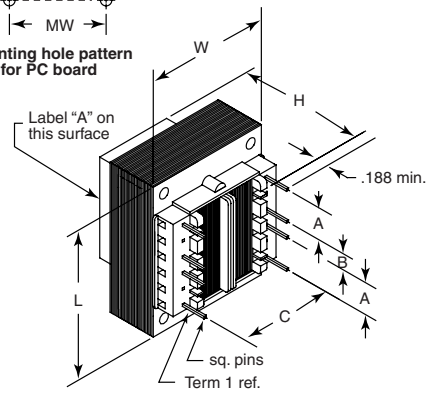
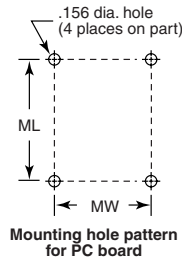
* Agency Certification Note: U.L. recognized component for use in the U.S. and Canada
TUV certified to EN61558 (Report #DI 401341)



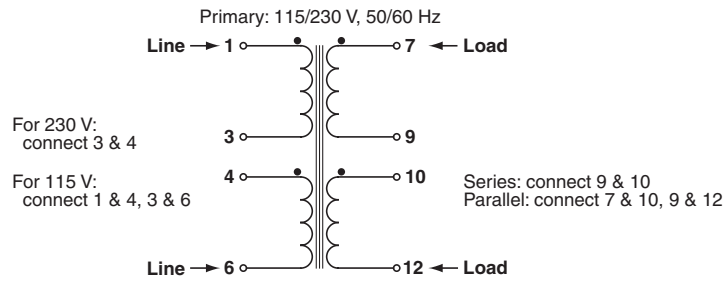
■ Pins are square



TG2H, 05, 10, 20



TG30, 56



Schematic Diagram