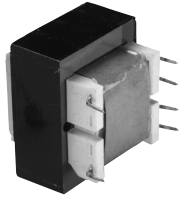


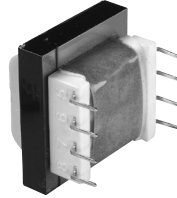
# PRINTED CIRCUIT TRANSFORMERS

## “Side-Winder” SW/DSW Series

“Side-Winder”  
(SW)



Dual “Side-Winder”  
(DSW)



All Single Primaries are 115V 50/60Hz, 6 Pins  
All Dual Primaries are 115/230V 50/60Hz, 8 Pins

| Sec.    | STANCOR<br>PART<br>NUMBER | Primary<br>Winding | Rated Output |            |           |           |      |          |      | DIMENSIONS - INCHES |      |      |      |      |      |      | Weight<br>(lbs.) | Agency *<br>Certif. |        |
|---------|---------------------------|--------------------|--------------|------------|-----------|-----------|------|----------|------|---------------------|------|------|------|------|------|------|------------------|---------------------|--------|
|         |                           |                    | AC/DC        | Individual |           | Series    |      | Parallel |      | VA                  | H    | W    | L    | MW   | A    | B    |                  |                     | C      |
|         |                           |                    |              | Volts      | mA        | Volts     | mA   | Volts    | mA   |                     |      |      |      |      |      |      |                  |                     |        |
| A       | SW-210                    | Single             | AC           | 5.0        | 110       | 10.0 C.T. | 110  | 5.0      | 220  | 1.1                 | 0.94 | 1.13 | 1.38 | -    | 0.25 | 0.25 | 1.20             | 0.17                | UL/CSA |
|         | DSW-210                   | Dual               | AC           | 5.0        | 110       | 10.0 C.T. | 110  | 5.0      | 220  | 1.1                 | 0.94 | 1.13 | 1.38 | -    | 0.25 | 0.25 | 1.20             | 0.17                | UL/CSA |
|         | SW-310                    | Single             | AC           | 5.0        | 250       | 10.0 C.T. | 250  | 5.0      | 500  | 2.5                 | 1.19 | 1.13 | 1.38 | -    | 0.25 | 0.25 | 1.20             | 0.25                | UL/CSA |
|         | DSW-310                   | Dual               | AC           | 5.0        | 250       | 10.0 C.T. | 250  | 5.0      | 500  | 2.5                 | 1.19 | 1.13 | 1.38 | -    | 0.25 | 0.25 | 1.20             | 0.25                | UL/CSA |
|         | SW-410                    | Single             | AC           | 5.0        | 600       | 10.0 C.T. | 600  | 5.0      | 1200 | 6.0                 | 1.31 | 1.31 | 1.63 | 1.06 | 0.25 | 0.35 | 1.28             | 0.44                | UL/CSA |
|         | DSW-410                   | Dual               | AC           | 5.0        | 600       | 10.0 C.T. | 600  | 5.0      | 1200 | 6.0                 | 1.31 | 1.31 | 1.63 | 1.06 | 0.25 | 0.35 | 1.28             | 0.44                | UL/CSA |
|         | SW-510                    | Single             | AC           | 5.0        | 1200      | 10.0 C.T. | 1200 | 5.0      | 2400 | 12.0                | 1.44 | 1.56 | 1.88 | 1.25 | 0.30 | 0.40 | 1.41             | 0.70                | UL/CSA |
|         | DSW-510                   | Dual               | AC           | 5.0        | 1200      | 10.0 C.T. | 1200 | 5.0      | 2400 | 12.0                | 1.44 | 1.56 | 1.88 | 1.25 | 0.30 | 0.40 | 1.41             | 0.70                | UL/CSA |
| B       | SW-212                    | Single             | AC           | 6.3        | 90        | 12.6 C.T. | 90   | 6.3      | 180  | 1.1                 | 0.94 | 1.13 | 1.38 | -    | 0.25 | 0.25 | 1.20             | 0.17                | UL/CSA |
|         | DSW-212                   | Dual               | AC           | 6.3        | 90        | 12.6 C.T. | 90   | 6.3      | 180  | 1.1                 | 0.94 | 1.13 | 1.38 | -    | 0.25 | 0.25 | 1.20             | 0.17                | UL/CSA |
|         | SW-312                    | Single             | AC           | 6.3        | 200       | 12.6 C.T. | 200  | 6.3      | 400  | 2.5                 | 1.19 | 1.13 | 1.38 | -    | 0.25 | 0.25 | 1.20             | 0.25                | UL/CSA |
|         | DSW-312                   | Dual               | AC           | 6.3        | 200       | 12.6 C.T. | 200  | 6.3      | 400  | 2.5                 | 1.19 | 1.13 | 1.38 | -    | 0.25 | 0.25 | 1.20             | 0.25                | UL/CSA |
|         | SW-412                    | Single             | AC           | 6.3        | 500       | 12.6 C.T. | 500  | 6.3      | 1000 | 6.0                 | 1.31 | 1.31 | 1.63 | 1.06 | 0.25 | 0.35 | 1.28             | 0.44                | UL/CSA |
|         | DSW-412                   | Dual               | AC           | 6.3        | 500       | 12.6 C.T. | 500  | 6.3      | 1000 | 6.0                 | 1.31 | 1.31 | 1.63 | 1.06 | 0.25 | 0.35 | 1.28             | 0.44                | UL/CSA |
|         | SW-512                    | Single             | AC           | 6.3        | 1000      | 12.6 C.T. | 1000 | 6.3      | 2000 | 12.0                | 1.44 | 1.56 | 1.88 | 1.25 | 0.30 | 0.40 | 1.41             | 0.70                | UL/CSA |
|         | DSW-512                   | Dual               | AC           | 6.3        | 1000      | 12.6 C.T. | 1000 | 6.3      | 2000 | 12.0                | 1.44 | 1.56 | 1.88 | 1.25 | 0.30 | 0.40 | 1.41             | 0.70                | UL/CSA |
| C       | SW-216                    | Single             | AC           | 8.0        | 70        | 16.0 C.T. | 70   | 8.0      | 140  | 1.1                 | 0.94 | 1.13 | 1.38 | -    | 0.25 | 0.25 | 1.20             | 0.17                | UL/CSA |
|         | SW-316                    | Single             | AC           | 8.0        | 150       | 16.0 C.T. | 150  | 8.0      | 300  | 2.5                 | 1.19 | 1.13 | 1.38 | -    | 0.25 | 0.25 | 1.20             | 0.25                | UL/CSA |
|         | DSW-316                   | Dual               | AC           | 8.0        | 150       | 16.0 C.T. | 150  | 8.0      | 300  | 2.5                 | 1.19 | 1.13 | 1.38 | -    | 0.25 | 0.25 | 1.20             | 0.25                | UL/CSA |
|         | SW-416                    | Single             | AC           | 8.0        | 400       | 16.0 C.T. | 400  | 8.0      | 800  | 6.0                 | 1.31 | 1.31 | 1.63 | 1.06 | 0.25 | 0.35 | 1.28             | 0.44                | UL/CSA |
|         | DSW-416                   | Dual               | AC           | 8.0        | 400       | 16.0 C.T. | 400  | 8.0      | 800  | 6.0                 | 1.31 | 1.31 | 1.63 | 1.06 | 0.25 | 0.35 | 1.28             | 0.44                | UL/CSA |
|         | SW-516                    | Single             | AC           | 8.0        | 800       | 16.0 C.T. | 800  | 8.0      | 1600 | 12.0                | 1.44 | 1.56 | 1.88 | 1.25 | 0.30 | 0.40 | 1.41             | 0.70                | UL/CSA |
|         | DSW-516                   | Dual               | AC           | 8.0        | 800       | 16.0 C.T. | 800  | 8.0      | 1600 | 12.0                | 1.44 | 1.56 | 1.88 | 1.25 | 0.30 | 0.40 | 1.41             | 0.70                | UL/CSA |
|         | SW-616                    | Single             | AC           | 8.0        | 1250      | 16.0 C.T. | 1250 | 8.0      | 2500 | 20.0                | 1.44 | 1.88 | 2.25 | 1.50 | 0.30 | 0.40 | 1.60             | 0.80                | UL/CSA |
| DSW-616 | Dual                      | AC                 | 8.0          | 1250       | 16.0 C.T. | 1250      | 8.0  | 2500     | 20.0 | 1.44                | 1.88 | 2.25 | 1.50 | 0.30 | 0.40 | 1.60 | 0.80             | UL/CSA              |        |
| D       | DSW-220                   | Dual               | AC           | 10.0       | 55        | 20.0 C.T. | 55   | 10.0     | 110  | 1.1                 | 0.94 | 1.13 | 1.38 | -    | 0.25 | 0.25 | 1.20             | 0.17                | UL/CSA |
|         | SW-320                    | Single             | AC           | 10.0       | 120       | 20.0 C.T. | 120  | 10.0     | 240  | 2.5                 | 1.19 | 1.13 | 1.38 | -    | 0.25 | 0.25 | 1.20             | 0.25                | UL/CSA |
|         | DSW-320                   | Dual               | AC           | 10.0       | 120       | 20.0 C.T. | 120  | 10.0     | 240  | 2.5                 | 1.19 | 1.13 | 1.38 | -    | 0.25 | 0.25 | 1.20             | 0.25                | UL/CSA |
|         | SW-420                    | Single             | AC           | 10.0       | 300       | 20.0 C.T. | 300  | 10.0     | 600  | 6.0                 | 1.31 | 1.31 | 1.63 | 1.06 | 0.25 | 0.35 | 1.28             | 0.44                | UL/CSA |
|         | DSW-420                   | Dual               | AC           | 10.0       | 300       | 20.0 C.T. | 300  | 10.0     | 600  | 6.0                 | 1.31 | 1.31 | 1.63 | 1.06 | 0.25 | 0.35 | 1.28             | 0.44                | UL/CSA |
|         | SW-520                    | Single             | AC           | 10.0       | 600       | 20.0 C.T. | 600  | 10.0     | 1200 | 12.0                | 1.44 | 1.56 | 1.88 | 1.25 | 0.30 | 0.40 | 1.41             | 0.70                | UL/CSA |
|         | DSW-520                   | Dual               | AC           | 10.0       | 600       | 20.0 C.T. | 600  | 10.0     | 1200 | 12.0                | 1.44 | 1.56 | 1.88 | 1.25 | 0.30 | 0.40 | 1.41             | 0.70                | UL/CSA |
|         | SW-620                    | Single             | AC           | 10.0       | 1000      | 20.0 C.T. | 1000 | 10.0     | 2000 | 20.0                | 1.44 | 1.88 | 2.25 | 1.50 | 0.30 | 0.40 | 1.60             | 0.80                | UL/CSA |
| DSW-620 | Dual                      | AC                 | 10.0         | 1000       | 20.0 C.T. | 1000      | 10.0 | 2000     | 20.0 | 1.44                | 1.88 | 2.25 | 1.50 | 0.30 | 0.40 | 1.60 | 0.80             | UL/CSA              |        |

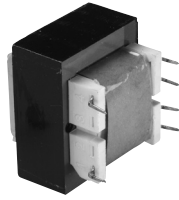
\* Agency Certification Note:  UL Recognized (File E68100)  
1.1VA Size – UL Class 2 & 3 available  
 CSA Certified (File LR67965)

“Side-Winder” SW/DSW part numbers continued on page 28.  
For schematic diagrams and outline drawings refer to page 29.

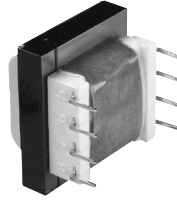
# PRINTED CIRCUIT TRANSFORMERS

## “Side-Winder” SW/DSW Series

“Side-Winder”  
(SW)



Dual “Side-Winder”  
(DSW)



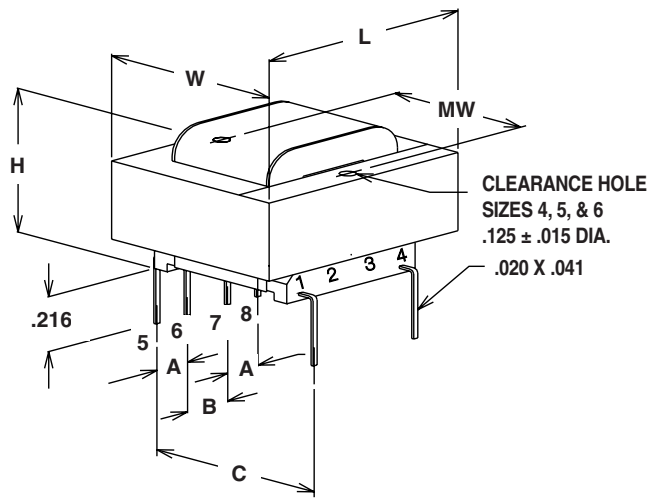
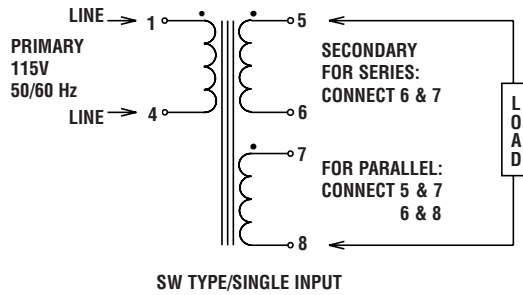
All Single Primaries are 115V 50/60Hz, 6 Pins  
All Dual Primaries are 115/230V 50/60Hz, 8 Pins

| STANCOR<br>PART<br>Sec. NUMBER | Primary<br>Winding | AC/DC | Rated Output        |     |                 |     | VA   | DIMENSIONS - INCHES |      |      |      |      |      |      | Weight<br>(lbs.) | Agency * |
|--------------------------------|--------------------|-------|---------------------|-----|-----------------|-----|------|---------------------|------|------|------|------|------|------|------------------|----------|
|                                |                    |       | Individual<br>Volts | mA  | Series<br>Volts | mA  |      | Parallel<br>Volts   | mA   | H    | W    | L    | MW   | A    |                  |          |
| A SW-224                       | Single             | AC    | 12.0                | 45  | 24.0 C.T.       | 45  | 1.1  | 0.94                | 1.13 | 1.38 | -    | 0.25 | 0.25 | 1.20 | 0.17             | UL/CSA   |
| DSW-224                        | Dual               | AC    | 12.0                | 45  | 24.0 C.T.       | 45  | 1.1  | 0.94                | 1.13 | 1.38 | -    | 0.25 | 0.25 | 1.20 | 0.17             | UL/CSA   |
| SW-324                         | Single             | AC    | 12.0                | 100 | 24.0 C.T.       | 100 | 2.5  | 1.19                | 1.13 | 1.38 | -    | 0.25 | 0.25 | 1.20 | 0.25             | UL/CSA   |
| DSW-324                        | Dual               | AC    | 12.0                | 100 | 24.0 C.T.       | 100 | 2.5  | 1.19                | 1.13 | 1.38 | -    | 0.25 | 0.25 | 1.20 | 0.25             | UL/CSA   |
| SW-424                         | Single             | AC    | 12.0                | 250 | 24.0 C.T.       | 250 | 6.0  | 1.31                | 1.31 | 1.63 | 1.06 | 0.25 | 0.35 | 1.28 | 0.44             | UL/CSA   |
| DSW-424                        | Dual               | AC    | 12.0                | 250 | 24.0 C.T.       | 250 | 6.0  | 1.31                | 1.31 | 1.63 | 1.06 | 0.25 | 0.35 | 1.28 | 0.44             | UL/CSA   |
| SW-524                         | Single             | AC    | 12.0                | 500 | 24.0 C.T.       | 500 | 12.0 | 1.44                | 1.56 | 1.88 | 1.25 | 0.30 | 0.40 | 1.41 | 0.70             | UL/CSA   |
| DSW-524                        | Dual               | AC    | 12.0                | 500 | 24.0 C.T.       | 500 | 12.0 | 1.44                | 1.56 | 1.88 | 1.25 | 0.30 | 0.40 | 1.41 | 0.70             | UL/CSA   |
| DSW-624                        | Dual               | AC    | 12.0                | 800 | 24.0 C.T.       | 800 | 12.0 | 1.44                | 1.88 | 2.25 | 1.50 | 0.30 | 0.40 | 1.60 | 0.80             | UL/CSA   |
| B SW-228                       | Single             | AC    | 14.0                | 40  | 28.0 C.T.       | 40  | 1.1  | 0.94                | 1.13 | 1.38 | -    | 0.25 | 0.25 | 1.20 | 0.17             | UL/CSA   |
| DSW-228                        | Dual               | AC    | 14.0                | 40  | 28.0 C.T.       | 40  | 1.1  | 0.94                | 1.13 | 1.38 | -    | 0.25 | 0.25 | 1.20 | 0.17             | UL/CSA   |
| SW-328                         | Single             | AC    | 14.0                | 85  | 28.0 C.T.       | 85  | 2.5  | 1.19                | 1.13 | 1.38 | -    | 0.25 | 0.25 | 1.20 | 0.25             | UL/CSA   |
| DSW-328                        | Dual               | AC    | 14.0                | 85  | 28.0 C.T.       | 85  | 2.5  | 1.19                | 1.13 | 1.38 | -    | 0.25 | 0.25 | 1.20 | 0.25             | UL/CSA   |
| SW-428                         | Single             | AC    | 14.0                | 200 | 28.0 C.T.       | 200 | 6.0  | 1.31                | 1.31 | 1.63 | 1.06 | 0.25 | 0.35 | 1.28 | 0.44             | UL/CSA   |
| SW-528                         | Single             | AC    | 14.0                | 420 | 28.0 C.T.       | 420 | 12.0 | 1.44                | 1.56 | 1.88 | 1.25 | 0.30 | 0.40 | 1.41 | 0.70             | UL/CSA   |
| DSW-528                        | Dual               | AC    | 14.0                | 420 | 28.0 C.T.       | 420 | 12.0 | 1.44                | 1.56 | 1.88 | 1.25 | 0.30 | 0.40 | 1.41 | 0.70             | UL/CSA   |
| SW-628                         | Single             | AC    | 14.0                | 700 | 28.0 C.T.       | 700 | 14.0 | 1.44                | 1.88 | 2.25 | 1.50 | 0.30 | 0.40 | 1.60 | 0.80             | UL/CSA   |
| DSW-628                        | Dual               | AC    | 14.0                | 700 | 28.0 C.T.       | 700 | 14.0 | 1.44                | 1.88 | 2.25 | 1.50 | 0.30 | 0.40 | 1.60 | 0.80             | UL/CSA   |
| C SW-432                       | Single             | AC    | 16.0                | 188 | 32.0 C.T.       | 188 | 6.0  | 1.31                | 1.31 | 1.63 | 1.06 | 0.25 | 0.35 | 1.28 | 0.44             | UL/CSA   |
| DSW-432                        | Dual               | AC    | 16.0                | 188 | 32.0 C.T.       | 188 | 6.0  | 1.31                | 1.31 | 1.63 | 1.06 | 0.25 | 0.35 | 1.28 | 0.44             | UL/CSA   |
| D SW-236                       | Single             | AC    | 18.0                | 30  | 36.0 C.T.       | 30  | 1.1  | 0.94                | 1.13 | 1.38 | -    | 0.25 | 0.25 | 1.20 | 0.17             | UL/CSA   |
| DSW-236                        | Dual               | AC    | 18.0                | 30  | 36.0 C.T.       | 30  | 1.1  | 0.94                | 1.13 | 1.38 | -    | 0.25 | 0.25 | 1.20 | 0.17             | UL/CSA   |
| DSW-336                        | Dual               | AC    | 18.0                | 65  | 36.0 C.T.       | 65  | 2.5  | 1.19                | 1.13 | 1.38 | -    | 0.25 | 0.25 | 1.20 | 0.25             | UL/CSA   |
| SW-436                         | Single             | AC    | 18.0                | 170 | 36.0 C.T.       | 170 | 6.0  | 1.31                | 1.31 | 1.63 | 1.06 | 0.25 | 0.35 | 1.28 | 0.44             | UL/CSA   |
| DSW-436                        | Dual               | AC    | 18.0                | 170 | 36.0 C.T.       | 170 | 6.0  | 1.31                | 1.31 | 1.63 | 1.06 | 0.25 | 0.35 | 1.28 | 0.44             | UL/CSA   |
| SW-536                         | Single             | AC    | 18.0                | 350 | 36.0 C.T.       | 350 | 12.0 | 1.44                | 1.56 | 1.88 | 1.25 | 0.30 | 0.40 | 1.41 | 0.70             | UL/CSA   |
| DSW-536                        | Dual               | AC    | 18.0                | 350 | 36.0 C.T.       | 350 | 12.0 | 1.44                | 1.56 | 1.88 | 1.25 | 0.30 | 0.40 | 1.41 | 0.70             | UL/CSA   |
| SW-636                         | Single             | AC    | 18.0                | 550 | 36.0 C.T.       | 550 | 18.0 | 1.44                | 1.88 | 2.25 | 1.50 | 0.30 | 0.40 | 1.60 | 0.80             | UL/CSA   |
| DSW-636                        | Dual               | AC    | 18.0                | 550 | 36.0 C.T.       | 550 | 18.0 | 1.44                | 1.88 | 2.25 | 1.50 | 0.30 | 0.40 | 1.60 | 0.80             | UL/CSA   |
| E SW-248                       | Single             | AC    | 24.0                | 23  | 48.0 C.T.       | 23  | 1.1  | 0.94                | 1.13 | 1.38 | -    | 0.25 | 0.25 | 1.20 | 0.17             | UL/CSA   |
| DSW-248                        | Dual               | AC    | 24.0                | 23  | 48.0 C.T.       | 23  | 1.1  | 0.94                | 1.13 | 1.38 | -    | 0.25 | 0.25 | 1.20 | 0.17             | UL/CSA   |
| DSW-348                        | Dual               | AC    | 24.0                | 50  | 48.0 C.T.       | 50  | 2.5  | 1.19                | 1.13 | 1.38 | -    | 0.25 | 0.25 | 1.20 | 0.25             | UL/CSA   |
| DSW-448                        | Dual               | AC    | 24.0                | 125 | 48.0 C.T.       | 125 | 6.0  | 1.31                | 1.31 | 1.63 | 1.06 | 0.25 | 0.35 | 1.28 | 0.44             | UL/CSA   |
| SW-648                         | Single             | AC    | 24.0                | 400 | 48.0 C.T.       | 400 | 24.0 | 1.44                | 1.88 | 2.25 | 1.50 | 0.30 | 0.40 | 1.60 | 0.80             | UL/CSA   |

\* Agency Certification Note:  UL Recognized (File E68100)  
1.1VA Size – UL Class 2 & 3 available  
 CSA Certified (File LR67965)

For schematic diagrams and outline drawings refer to page 29.

**"Side-Winder" SW Series**



**"Side-Winder" DSW Series**

