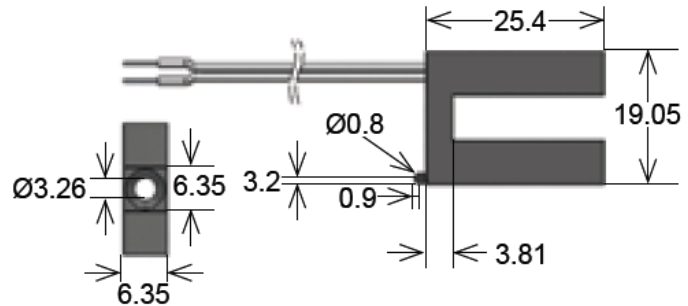


# MK28 Series Reed Sensors



- Features: Vane Operated Screw Mount Proximity/Motion Sensor, Ideal in Harsh Environments
- Applications: Water Meter Cursor Detection, Position Control, Locking System, Robotics & Others
- Markets: Automotive, Industrial, Robotics, Security & Other

Part Description: **MK 28-0X-000X**

Contact QTY	Contact Form	Cable Length (mm)	Termination
01	A, B, C	500	w

Customer Options	Switch Model	Unit
<b>Contact Data</b>	90	
<b>Rated Power (max.)</b> Any DC combination of V&A not to exceed their individual max.'s	10	W
<b>Switching Voltage (max.)</b> DC or peak AC	175	V
<b>Switching Current (max.)</b> DC or peak AC	0.5	A
<b>Carry Current (max.)</b> DC or peak AC	1.0	A
<b>Contact Resistance (max.)</b> @ 0.5V & 50mA	150	mOhm
<b>Breakdown Voltage (min.)</b> According to EN60255-5	0.2	kVDC
<b>Operating Time (max.)</b> Incl. Bounce; Measured with w/ Nominal Voltage	0.7	ms
<b>Release Time (max.)</b> Measured with no Coil Excitation	1.5	ms
<b>Insulation Resistance (typ.)</b> Rh<45%, 100V Test Voltage	10 <sup>9</sup>	GOhm
<b>Capacitance (typ.)</b> @ 10kHz across open Switch	1.5	pF

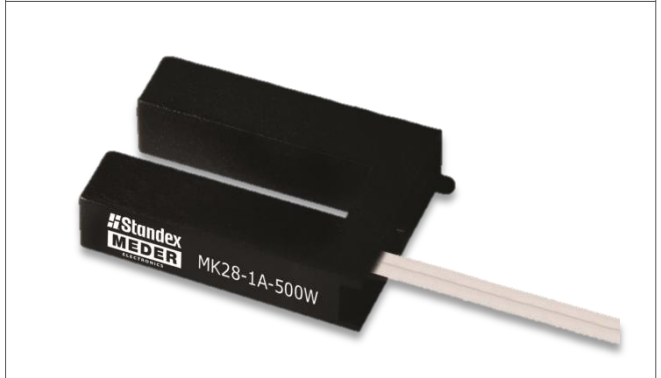
Housing and Cable Specifications	
Housing Material	Nylon 6/6
Case Color	Black
Sealing Compound	Polyurethan
Cable Typ	Flat Cable/Round Cable
Cable Material	PVC
Cross Section (mm <sup>2</sup> )	2 x 0.14 / 3x0,14

Environmental Data		Unit
Shock Resistance (max.) 1/2 sine wave duration 11ms	50	G
Vibration Resistance (max.)	20	g
Operating Temperature Cable not moved	-30 to 70	°C
Operating Temperature Cable moved	-5 to 70	°C
Storage Temperature	-30 to 70	°C

Glossary Contact Form		
Form A	NO = Normally Open Contacts SPST = Single Pole Single Throw	
Form B	NC = Normally Closed Contacts SPST = Single Pole Single Throw	
Form C	Changeover SPDT = Single Pole Double Throw	



### MK28 Reed Sensor



### Handling & Assembly Instructions

- Max torque of screw is 1Nm
- Cable bending-radius is diameter x 15
- Min. bending distance to housing is 5mm
- Drag mark out of the mounting area forbidden
- Decrease switching distance by mounting on iron
- Do not use magnetically inductive screws
- Series resistor recommended for > 5m cable length

### Life Test Data

\*Load increase reduces life expectancy of Reed Switches

