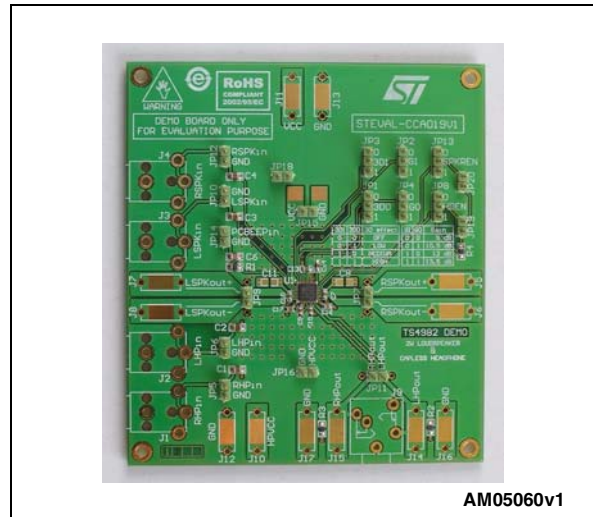


2 W stereo audio power amplifier based on the TS4982

Data brief

Features

- 2 W output power into 4 Ω load per channel
- 125 mW into 16 Ω load ground-referenced stereo headphone driver
- Four-step gain settings on speaker path
- 3 levels of 3D effect on speaker path
- PC-beep input system detection
- ± 8 kV HBM ESD-protected headphone outputs
- Pop and click reduction circuitry
- 32-pin 5 x 5 mm QFN package
- Thermal shutdown and output short-circuit protection
- RoHS compliant



Description

The STEVAL-CCA019V1 is a demonstration board designed to help in the characterization of the TS4982, which features a stereo loudspeaker driver and a ground-referenced stereo headphones driver. An independent standby mode pin allows the TS4982 to simultaneously drive both output drivers.

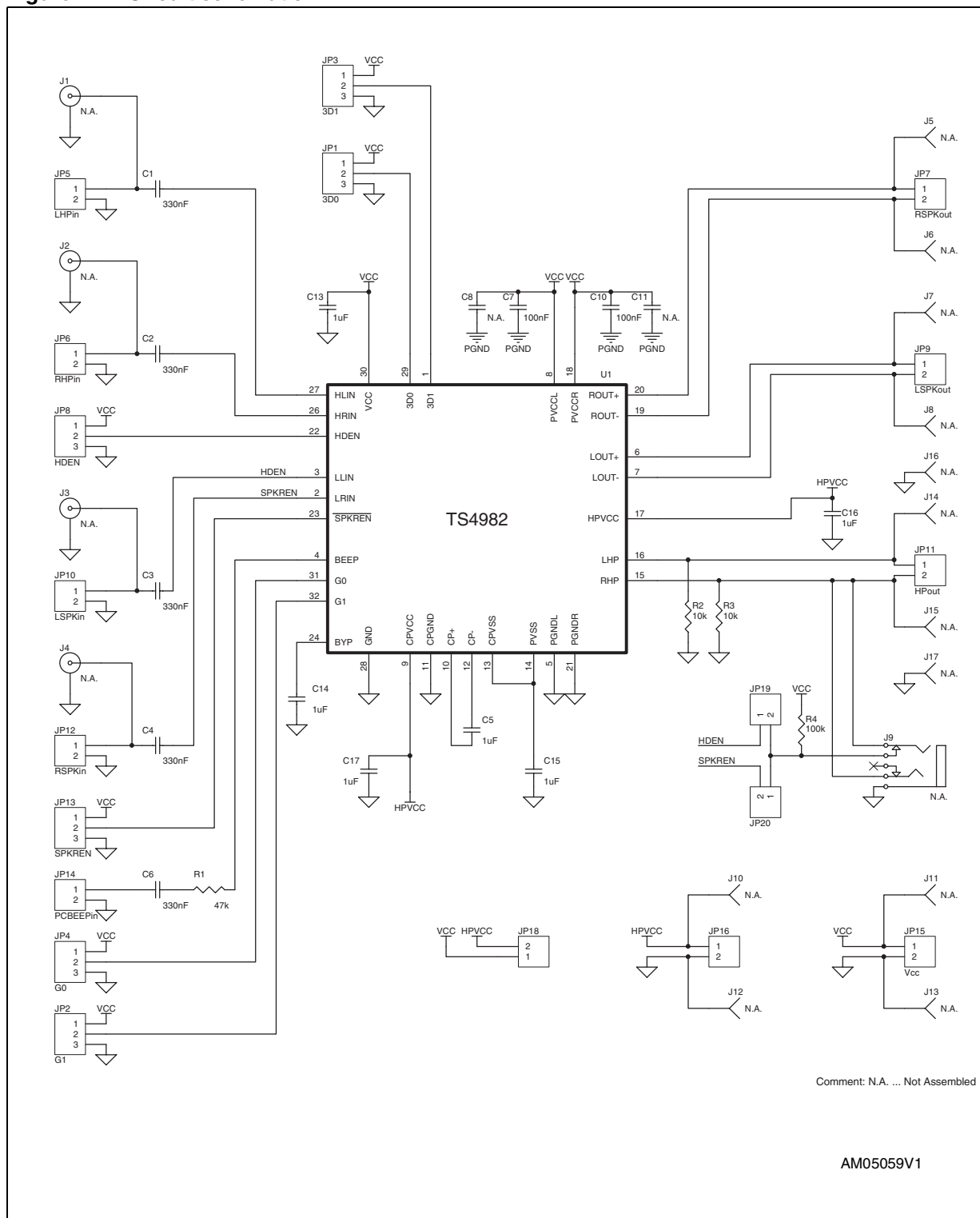
Operating on a single 5 V supply, the TS4982 delivers 2 W (typ.) output power into a 4 Ω load at 1% THD+N.

The TS4982 features a PC beep input, three levels of 3D stereo enhancement and 4-step gain control using two digital input pins.

A minimum number of external components makes the TS4982 well suited for notebook and other hand-held sound equipment. It also has an internal thermal shutdown (150° C) and output short-circuit protection mechanism. The TS2012 is available in a 4x4 mm QFN20 package.

1 Schematic diagram

Figure 1. Circuit schematic



2 Revision history

Table 1. Document revision history

Date	Revision	Changes
23-Jul-2009	1	Initial release.

Please Read Carefully:

Information in this document is provided solely in connection with ST products. STMicroelectronics NV and its subsidiaries ("ST") reserve the right to make changes, corrections, modifications or improvements, to this document, and the products and services described herein at any time, without notice.

All ST products are sold pursuant to ST's terms and conditions of sale.

Purchasers are solely responsible for the choice, selection and use of the ST products and services described herein, and ST assumes no liability whatsoever relating to the choice, selection or use of the ST products and services described herein.

No license, express or implied, by estoppel or otherwise, to any intellectual property rights is granted under this document. If any part of this document refers to any third party products or services it shall not be deemed a license grant by ST for the use of such third party products or services, or any intellectual property contained therein or considered as a warranty covering the use in any manner whatsoever of such third party products or services or any intellectual property contained therein.

UNLESS OTHERWISE SET FORTH IN ST'S TERMS AND CONDITIONS OF SALE ST DISCLAIMS ANY EXPRESS OR IMPLIED WARRANTY WITH RESPECT TO THE USE AND/OR SALE OF ST PRODUCTS INCLUDING WITHOUT LIMITATION IMPLIED WARRANTIES OF MERCHANTABILITY, FITNESS FOR A PARTICULAR PURPOSE (AND THEIR EQUIVALENTS UNDER THE LAWS OF ANY JURISDICTION), OR INFRINGEMENT OF ANY PATENT, COPYRIGHT OR OTHER INTELLECTUAL PROPERTY RIGHT.

UNLESS EXPRESSLY APPROVED IN WRITING BY AN AUTHORIZED ST REPRESENTATIVE, ST PRODUCTS ARE NOT RECOMMENDED, AUTHORIZED OR WARRANTED FOR USE IN MILITARY, AIR CRAFT, SPACE, LIFE SAVING, OR LIFE SUSTAINING APPLICATIONS, NOR IN PRODUCTS OR SYSTEMS WHERE FAILURE OR MALFUNCTION MAY RESULT IN PERSONAL INJURY, DEATH, OR SEVERE PROPERTY OR ENVIRONMENTAL DAMAGE. ST PRODUCTS WHICH ARE NOT SPECIFIED AS "AUTOMOTIVE GRADE" MAY ONLY BE USED IN AUTOMOTIVE APPLICATIONS AT USER'S OWN RISK.

Resale of ST products with provisions different from the statements and/or technical features set forth in this document shall immediately void any warranty granted by ST for the ST product or service described herein and shall not create or extend in any manner whatsoever, any liability of ST.

ST and the ST logo are trademarks or registered trademarks of ST in various countries.

Information in this document supersedes and replaces all information previously supplied.

The ST logo is a registered trademark of STMicroelectronics. All other names are the property of their respective owners.

© 2009 STMicroelectronics - All rights reserved

STMicroelectronics group of companies

Australia - Belgium - Brazil - Canada - China - Czech Republic - Finland - France - Germany - Hong Kong - India - Israel - Italy - Japan - Malaysia - Malta - Morocco - Philippines - Singapore - Spain - Sweden - Switzerland - United Kingdom - United States of America

www.st.com